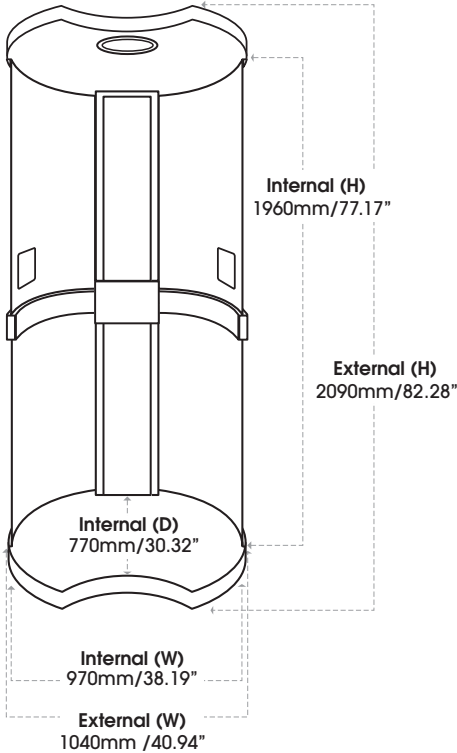
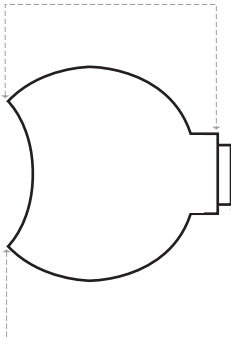


FRONT VIEW



TOP VIEW

External Depth without Tan.Lite
1020mm/40.16"



External Depth with Tan.Lite
1120mm/44.10"

PACKAGING

Carton 1 - Top/Middle/Bottom



H: 1060mm / 41.73"
W: 1060mm / 41.73"
D: 320mm / 12.59"
Weight: 27kg / 59.52lb

Carton 2- Side Panels



H: 1020mm / 40.15"
W: 770mm / 30.31"
D: 240mm / 9.45"
Weight: 15.7kg / 3 4.61lb

Carton 3- Fans



H: 360mm / 14/17"
W: 1030mm / 40.55"
D: 340mm / 13.38"
Weight: 16.8kg / 37.03lb

Carton 4- All.In.One.Only



H: 400mm/15.74"
W: 350mm/13.77"
D: 350mm/13.77"
Weight: 4kg/8.82lb

OTHER DATA

TECHNICAL

- Booth Net Weight (without packaging): 46kg/101.41lb
- Booth Extraction Fan Speed: 2700RPM/fan (4Fans)
- Noise of Booth (excluding the Tan Lite) (db): 62db
- Noise of Booth (with Tan Lite) (db): 69db
- Motor Speed of Tan Lite (RPM): 32000RPM
- Extraction Airflow: 2080 m3/hour

ELECTRICAL

- Wattage of LED Booth (without Tan Lite): 200W
- Wattage of LED Booth (with Tan Lite): 850W
- 220-240V Ampage of LED Booth (without Tan Lite): 1A
- 220-240V Ampage of LED Booth (with Tan Lite): 3.5A
- 110-120V Ampage of LED Booth (without Tan Lite): 2A
- 110-120V Ampage of LED Booth (with Tan Lite): 7A
- Top LED Lumens: 1200LM
- Top LED wattage: 15W
- Side LED Strip Lumens: 2880LM
- Side LED Strip Wattage: 28W

MATERIALS

- Material of Side Panels: ABS
- Materials of Fans: PVC+ABS
- Material of Bottom and Top: ABS