

TANNING  
essentials®

SIMPLE TANNING SYSTEMS built purposely for the perfect spray tan

SPRAY STATION - TRAINING MANUAL

# spray station



AUSTRALIA | CHINA | UNITED KINGDOM | USA

[www.tanningessentials.co](http://www.tanningessentials.co)

## WELCOME

Thank you for choosing the Tanning Essentials Turbo Twister Spray Station.  
Please read the following to help assist you with the set up and maintenance of your spray station.

## QUICK SET UP GUIDE

The Tanning Essentials Turbo Twister Spray Station contains:

3 Fan units	2 Additional rapid spray applicator cups with lids
1 Base unit	2 Connector cords
2 Side panels	1 Power cord
1 Floor	1 Foot pedal with 3 connected cords
2 Steel support bars	14 Screws
1 Hose	1 Cup holder
2 Rapid spray applicators	Set of base seals

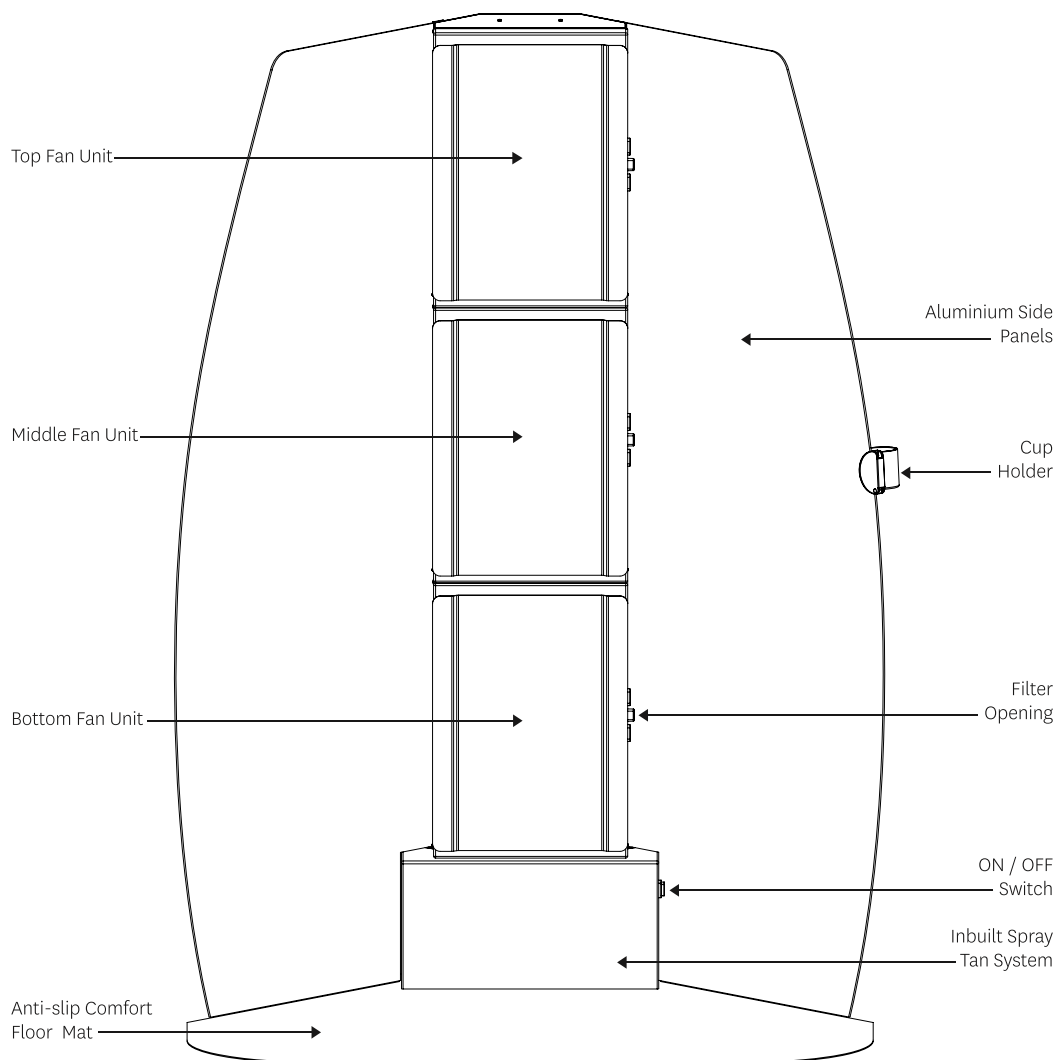
## OUR DETAILS

### Contact Us

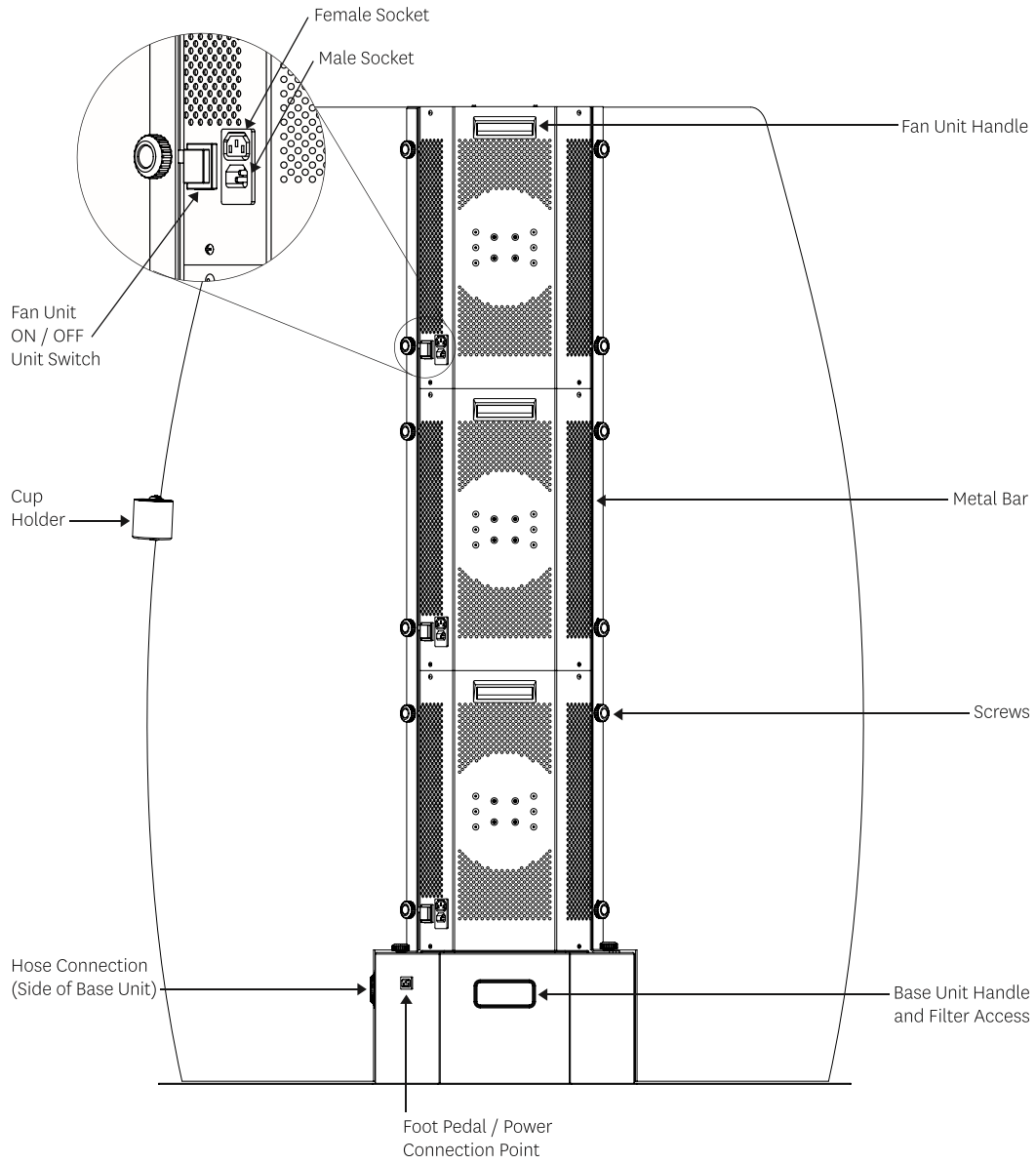
International	+61 3 9463 8900
United Kingdom	+44 (0) 2036 646 739
Email	sales@tanningessentials.co
<b>facebook</b>	/tanningessentials

**YouTube** Watch the full set up video now on [youtube/tanningessentials](https://www.youtube.com/tanningessentials)

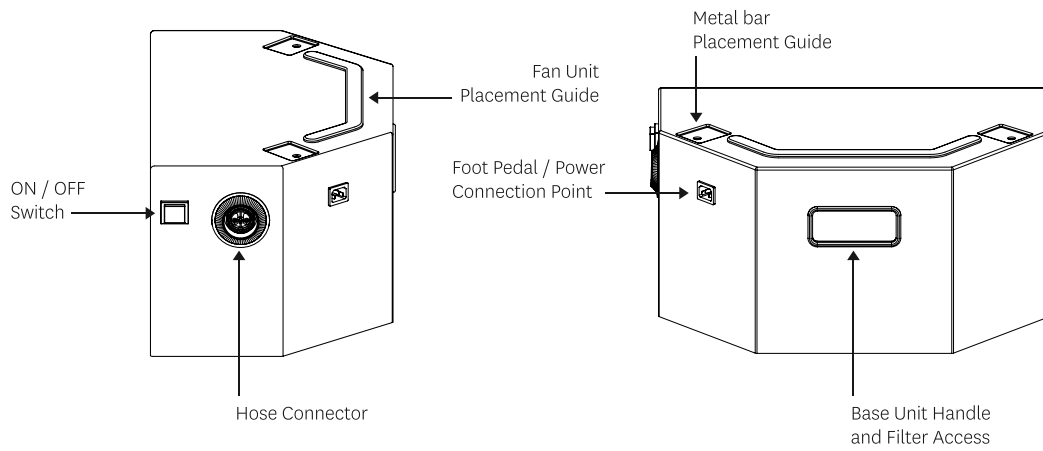
FRONT OF SPRAY STATION



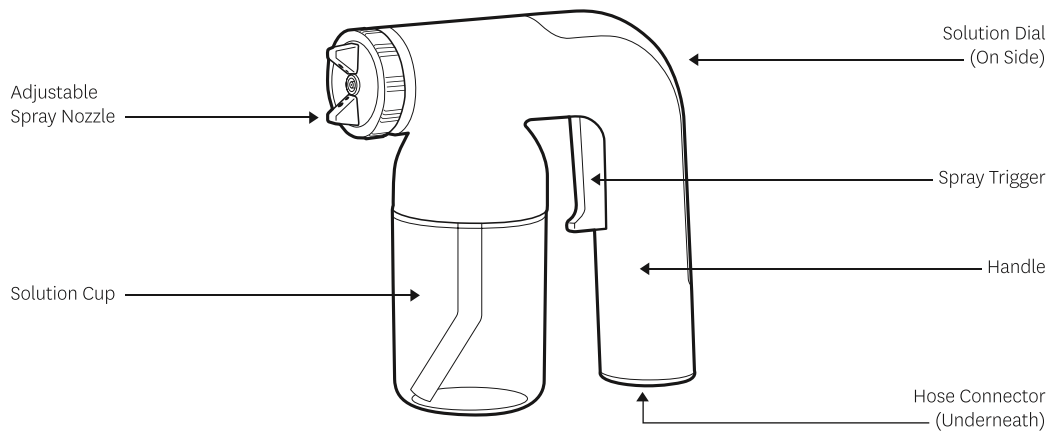
BACK OF SPRAY STATION



## SPRAY STATION BASE



## SPRAY APPLICATOR



## TOWER ASSEMBLY



### STEP 1

Lay the floor into position, the wide straight edge is the front.



### STEP 2

Using the handle, place the base unit on the back of the floor with the hollow side facing down.



### STEP 3

Locate your three fan units, picking them up with the handles located on the back, place the first fan unit onto the base, lining it up with the grooves – make sure it is securely in place with no movement.



Stack the next fan unit on top of the first one. And the third fan unit on top of the second one so you have a total of three fan units on top of the base.

Ensure the red filter release buttons are on the right hand side when looking at the front of the station.



### STEP 4

Locate the metal bars and align them with the holes on the side of the station. Loosely screw the metal bars to the base unit and the fans using the screws provided.

*Note: Only loosely screw the rails into position, allowing room to insert the sides and only tighten after the sides are in place.*

## TOWER ASSEMBLY



### STEP 5

Locate the aluminium sides and peel off the protective film. Insert the aluminium sides in between the fan units and the loosely screwed-on metal support bars. Once the side panels are inserted, starting from the top, tighten the screws to clamp the side panels tightly into position. *(Note: these are reversible for two colour options)*



### STEP 6

Attach the spray applicator holder. Gently slide the inner rubber out, ensuring it stays attached to the plastic at all times. Turn the cup upside down, with the opening of the rubber facing towards the edge. Fit the rubber onto the edge of the side panel, as far as it can go. While holding the rubber in place, swing the cup upwards on its hinge and slide over the rubber.



### STEP 7

Locate the foot pedal and power cord. Connect the power cord to the shorter cord coming out of the foot pedal. Connect one of the longer cords from the foot pedal into the base of the station, this is your spray machine. Connect the other longer cord from the foot pedal into the bottom fan unit of the tower. Find one of the connector cords and insert the metal male end into the bottom fan unit, and the female end into the middle fan unit. Find the second connector cord and insert the metal male end into the middle fan unit, and the female end into the top fan unit. Plug the power cord coming out of the foot pedal into the wall socket.

## TOWER ASSEMBLY



### STEP 8

Attach the hose to the Rapid spray unit by pulling the connection back exposing the prongs and ensuring the “U” groove is facing up. Line up the prongs to meet the unit, push the connection in to cover the fitting and screw in clockwise until firmly in place and sitting straight.



### STEP 9

Connect the hose to the applicator by aligning the “D” fitting with the flat edge towards the back. Push the fitting into the applicator and screw clockwise until firm without over tightening.



### STEP 10

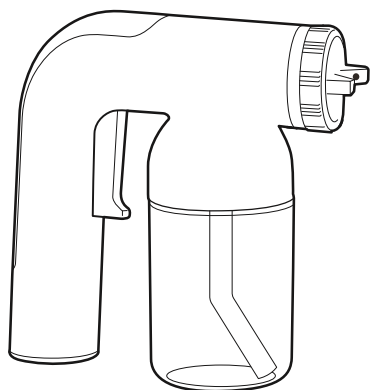
Place the applicator in the cup holder.

Turn each fan unit ON and turn the spray unit/base ON.

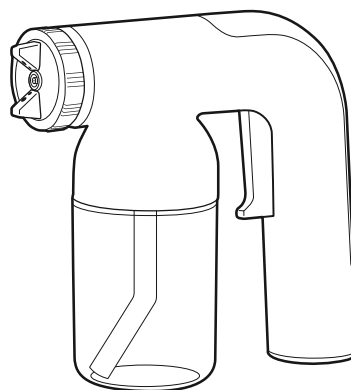


## RAPID APPLICATOR FUNCTIONS

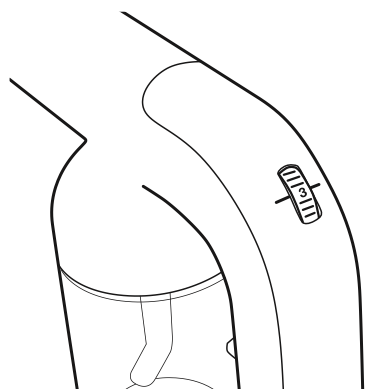
The Rapid applicator has adaptable spray patterns:



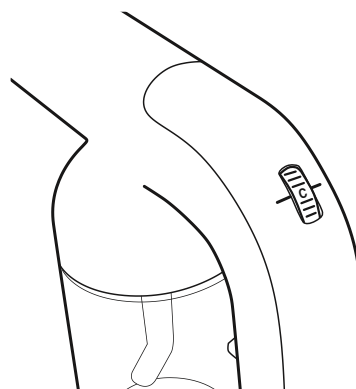
Horizontal



Vertical

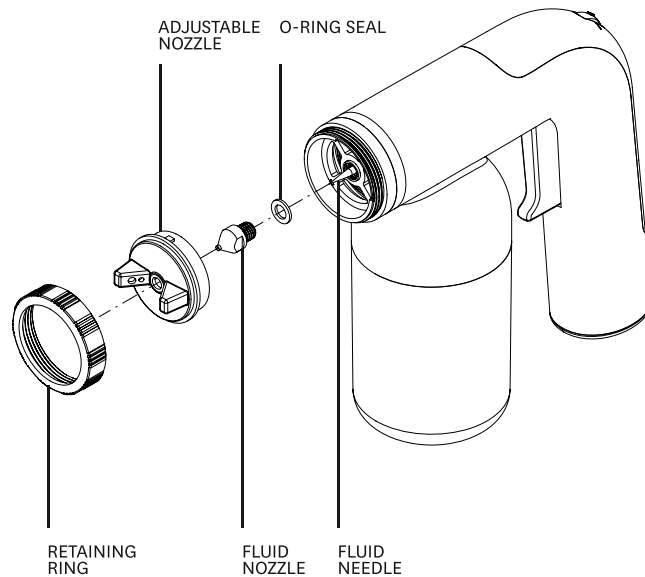


The most common setting is 2 or 3.



The "C" setting is designed for cleaning your applicator.

## RAPID APPLICATOR MAINTENANCE



### TROUBLESHOOTING - BLOCKED NOZZLE OR CONTINUOUS SPRAY WITHOUT PRESSING THE TRIGGER

- STEP 1** - Locate and unscrew retaining ring. To release; turn retaining ring in an anti-clockwise motion.
- STEP 2** - Gently pull on the adjustable nozzle to remove.
- STEP 3** - Fit an 8mm spanner to the flat edges of the fluid nozzle and turn anti-clockwise to unscrew.
- STEP 5** - Ensure you do not misplace the o-ring seal, which is located behind the fluid nozzle .
- STEP 6** - Once removed, visually inspect the fluid nozzle for small particles or blockages - rinse thoroughly with hot water.
- STEP 7** - Gently wipe the fluid needle to clean and remove any debris. (the fluid needle should not be removed from the applicator at any time)
- STEP 8** - Once visually clear of any debris, re-attach fluid nozzle, ensuring the O-ring is in position, then use the spanner (8mm) to gently tighten back into place.
- STEP 9** - Replace adjustable nozzle and rotate back into position.
- STEP 10** - Repeat previous step, this time with the retaining ring.

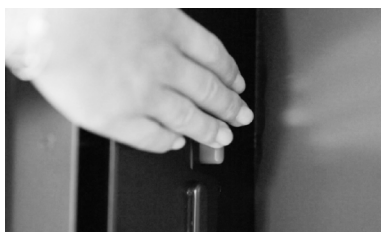
## SPRAY STATION TROUBLESHOOTING AND MAINTENANCE

If you experience problems with this unit, in the first instance please carefully read the relevant sections of this User Manual and Troubleshooting section. If you cannot solve the problem please contact your supplier for further assistance.

PROBLEM	CAUSE	WHAT TO DO
Your unit isn't extracting at full capacity.	Unit isn't working correctly	Feel for air from the back of each unit.
	The unit is not turned on	Check each fan unit switch is on and illuminated blue and make sure all cords are inserted correctly.
	The filter needs to be changed	Replace the filter.
The blue light on the power switch does not turn on.	Electricity not turned on	Check the power cord is plugged in correctly.
	The fuse needs to be replaced	Change the fuse. This is located on the side of each fan unit where the power switch is, above the metal pronged male plug.

## CHANGING THE EXTRACTION FILTERS

The filters are disposable and replacement filters are ordered in a 2 pack (so you will require 2 packs for this unit). It is recommended that filters be changed after **100+ sprays**.



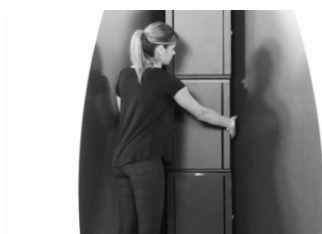
### STEP 1

Press the red button on the side of the system and swing open the front of the unit.



### STEP 2

Remove the filter, discard and replace with a new filter with the metal grid facing forward.



### STEP 3

Close the unit back up by pressing the red button and pushing the front of the unit in place until it locks.

## CHANGING THE FUSE



### STEP 1

Use a flat edge screwdriver to open the fuse compartment.

### STEP 2

Remove the old fuse and replace with a new one.

## RAPID TROUBLESHOOTING & MAINTENANCE

If you experience problems with the applicator, in the first instance please carefully read the relevant sections of this User Manual and Troubleshooting section. If you cannot solve the problem please contact your supplier for further assistance.

PROBLEM	CAUSE	WHAT TO DO
Applicator cup is leaking.	Your cup may be over filled.	It is recommended your cup is filled ½ to ¾.  Unscrew solution cup and empty any excess solution. It is recommended that this be done over a sink or a wet area.
	Your cup is cross threaded.	Loosen off and tighten again.
Variation in the way your applicator is spraying. ie. not enough spray coming out, cutting in and out, or speckled spray.	Not enough power.	Adjust your applicator settings.
	Not enough air flow.	Test airflow by removing the applicator from the hose.
	Filter maintenance needs to be performed.	The filter can be accessed through the handle of the spray station base.  To clean the filter, remove from the base, and rinse in warm water until water runs clear. Allow it to dry completely before refitting.  Filter maintenance should be performed regularly.

## WARRANTY INFORMATION

### IMPORTANT

Please keep your proof of Purchase and User Manual in a safe place as you will require these to make a warranty claim. Prior to making a claim you should read through the trouble shooting section in the manual and contact your supplier. All warranty claims should be made directly with your supplier.

If within one (1) year from the date of purchase, the product fails due to a defect in material or workmanship, we will repair if possible or replace it free of charge with a comparable unit which may be new or refurbished. This warranty applies only to the original purchaser and is not transferable. The goods must be returned to the seller with proof of purchase to be assessed at the purchasers cost.

Warranties shall not apply to any defect, failure or damage caused by improper use or improper or inadequate maintenance and care. The manufacturer shall not be obligated under these warranties:

- a) to repair damage resulting from attempts by personnel other than authorised representatives to install, repair or service the product;
- b) to repair damage, malfunction, or degradation of performance resulting from improper use or incompatible solution;
- c) to perform maintenance or cleaning or to repair damage, malfunction, or degradation of performance resulting from failure to perform user maintenance and cleaning as prescribed;
- d) to repair damage, malfunction, or degradation of performance resulting from use of the product in an environment not meeting the operating specifications,

To activate your warranty, please complete the information and post to Tanning Essentials within 14 days of purchase.