

TOTO

TOILETS

NEOREST XH I
Luxurious Integrated Toilet



TOTO
GREEN
CHALLENGE

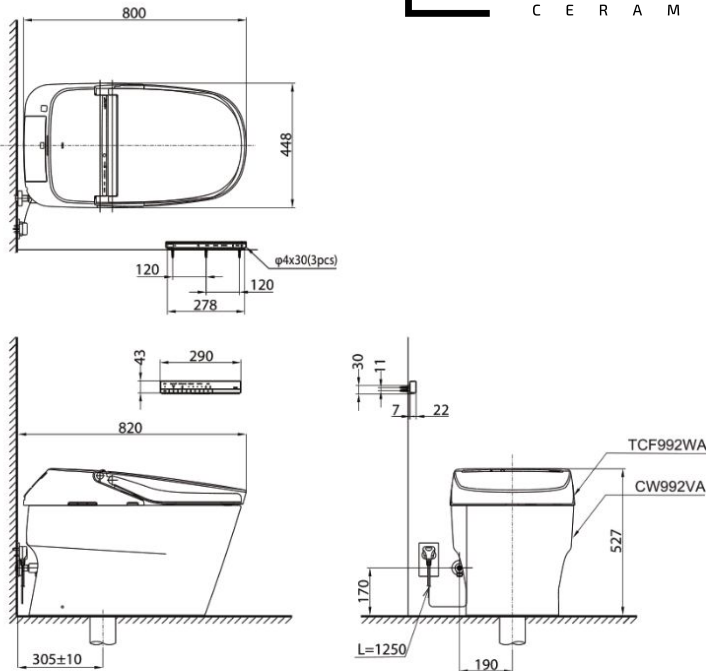


CW992VA / TCF992WA

DISTRIBUTED BY:



LA EUROPA
CERAMICA



CW992VA/ TCF992WA

Features

- Integrated appearance of luxury, stylish, elegant
- Hybrid Ecology System
 - water saving dual flush 3.8 / 3L
 - minimum required water pressure only at 0.05Mpa (Dynamic)
- Tornado Flushing for powerful flushing effect with less amount of water
- Integral WASHLET features front and rear warm water washing
- eWater⁺ spreads out and keeps clean toilet bowl and nozzle by preventing bacteria with sanitizing effect
- Automatic operation: Lid opens, closes and toilet flushes when sensor is activated
- Auto soft light function usable for night time usage

eWater⁺ is made from tap water by electrolyzed chloride ion without any chemicals. After use, it returns to normal water in the state of safe and environmental friendly.

Specifications

Flush System	: Siphon-Jet Tornado Flush
Water Use	: 3.8L / 3L
Rough-in	: 305 mm
Bowl Shape	: Elongated
Water Pressure	: 0.05Mpa~0.75Mpa
Power Rating	: 220~240V, 50/60Hz, 841~851W
Length of Power Cord	: 1.2 m
Material	: Bowl -Vitreous China Seat & Cover -Plastic Remote Controller - Aluminium
Size	: 448W x 820D x 527H mm

Parts description

- **CW992VA**
Elongated Closet Bowl (S-Trap)
(Rough-in 305)
- **TCF992WA**
WASHLET unit

Colors

White (cefiontect)