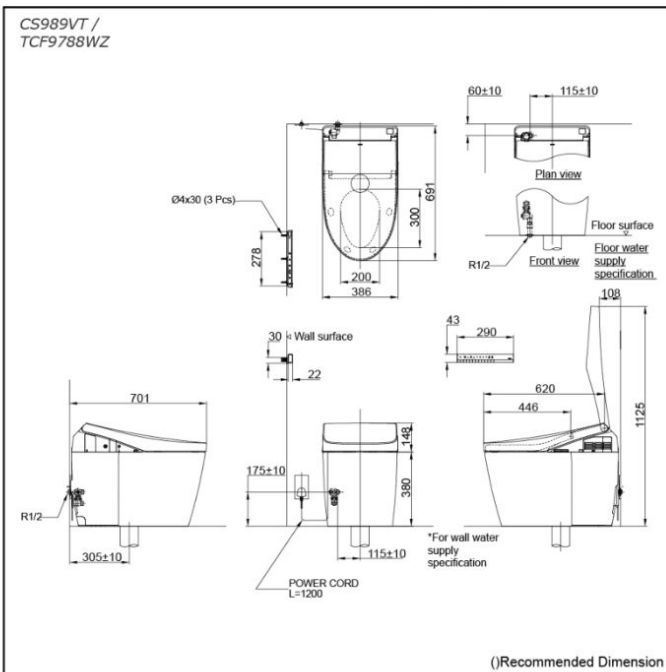


NEOREST AH Luxurious Integrated Toilet

CS989VT / TCF9788WZ



Features

- Integrated appearance of luxury, elegant and seamless design
- Hybrid Ecology System
- WATER SAVING dual flush 3.8 / 3L
- Minimum required water pressure only at 0.05MPa (Dynamic)
- New TORNADO FLUSH system. 360 degree cleaning power reaches every spot using less water from newly developed bowl
- TORNADO FLUSH waterjet outlet is newly placed in hidden position to present a cleaner aesthetics
- New RIMLESS DESIGN bowl. Simply beautiful in shape with no shaded area make cleaning easier
- AIR-IN WONDERWAVE uses air rich water droplets to produce comfortable cleaning sensation
- Build-in with Motion Sensor - Microwave technology
- HEATED SEAT with temperature control
- PREMIST, a fine spray of mist making it difficult for dirt to adhere
- EWATER+ keeps toilet bowl and nozzle clean by preventing bacterial with sanitizing effect
- Auto powerful DEODORIZER activates after every usage
- Adjustable WARM AIR DRYING

EWATER+, highly effective sanitizer created by electrolyzed chloride ion in tap water. After use, it returns back to original state, environmental friendly

Specifications

Flush system: TORNADO FLUSH
Water Use: 3.8L / 3L
Rough-in: 305 mm
Bowl Shape: Elongated
Water Pressure: 0.05MPa~0.75MPa
Power Rating: 220~240V, 50/60Hz, 820~839W

Length of Power Cord: 1.2 m

Material: Bowl -Vitreous China
Seat & Cover -Plastic
Remote Controller -Aluminium

Size: 386Wx691Dx528H mm

Parts description

- **CS989VT**
Water Closet Bowl (S-Trap)
(Rough-in 305)
- **TCF9788WZ**
WASHLET unit

Colors

White (#NW1)

DISTRIBUTED BY:

LA EUROPA
CERAMICA