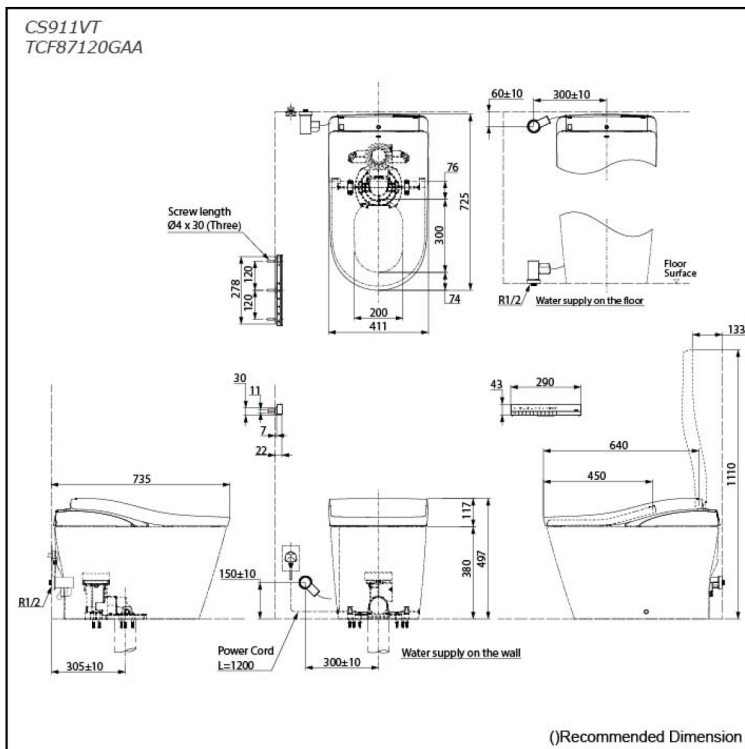


NEOREST LS Luxurious Smart Toilet



Features

- New TORNADO FLUSH uses less water to produce powerful streams of water that travels along a hairpin curve of new RIMLESS DESIGN bowl creating a 360 degree of cleaning power that washes every spot
- PREMIST, a fine spray of mist making it difficult for dirt to adhere
- EWATER+ not only keeps toilet bowl and nozzle clean by preventing bacterial with sanitizing effect but is also sprayed under the seat to prevent other accumulated waste, ensures a long-lasting cleanliness
- Automatic operation: Lid opens, closes and toilet flushes when sensor is activated
- AIR-IN WONDERWAVE uses air rich water droplets to produce comfortable cleaning sensation
- HEATED SEAT with temperature control
- Auto powerful DEODORIZER activates after every usage
- Adjustable WARM AIR DRYING
- Hybrid Ecology System - WATER SAVING

Specifications

Flush system:	TORNADO FLUSH
Water Use:	3.8L / 3.0L
Rough-in:	305 mm
Bowl Shape:	D-Shape
Water Pressure:	0.05MPa~0.75MPa
Power Rating:	220~240V, 50/60Hz, 835~863W
Length of Power Cord:	1.2 m
Material:	Bowl -Vitreous China Seat & Cover -Plastic Remote Controller -Aluminium
Size:	411Wx725Dx497H mm

Parts description

- CS911VT
Water Closet Bowl (S-Trap)
(Rough-in 305)
- TCF87120GAA
WASHLET unit

Optional Parts

- T53P100VR
Floor Flange

Colors

White (#NW1)

Silver
- WASHLET Frame Cover
- Remote Controller