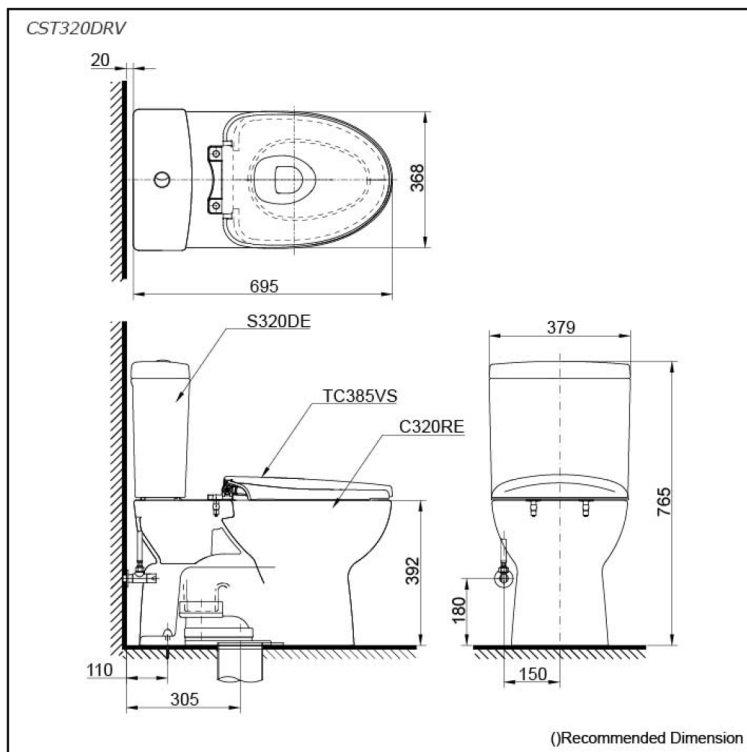


CLOSE COUPLED TOILET



Features

- Stylish design, high profile Close Coupled Toilet
- Dual Flush System
- WATER SAVING

Specifications

Flush system:	Siphon
Water Use:	4.8L / 3L
Trap Type:	S-Trap
Rough-in:	305 mm
Bowl Shape:	Elongated
Water Pressure:	0.05MPa~0.75MPa
Size:	379Wx695Dx763H mm

Parts description

Seat & Cover are **included**.
Stop Valve & Flexible Hose are **included**.

- **CST320DRV**
Close Coupled Toilet
 - **C320RE**
Close Coupled Bowl w/ Connector
 - **S320DE**
Close Coupled Tank
 - **TC385VS**
Soft Close Seat & Cover (PP)

NOTE

- **Floor Flange is not required**

Colors

White

