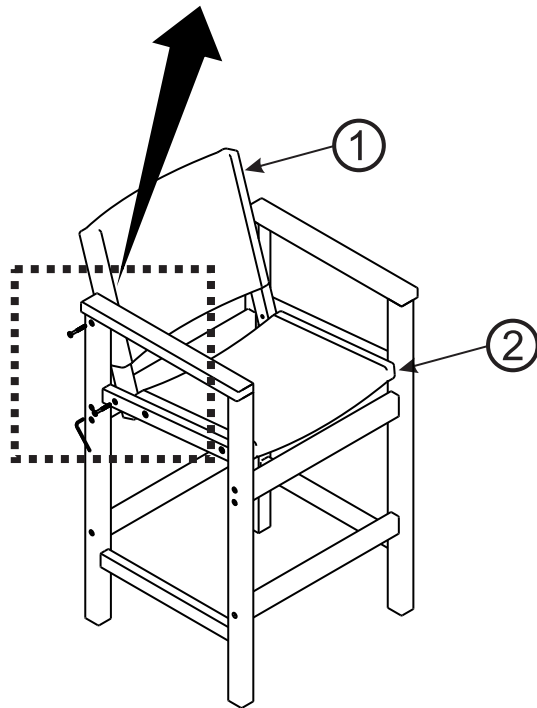
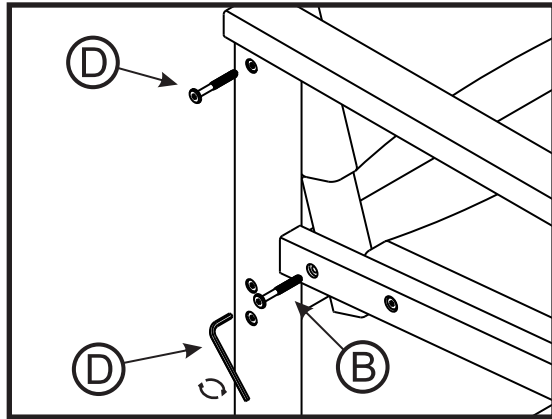
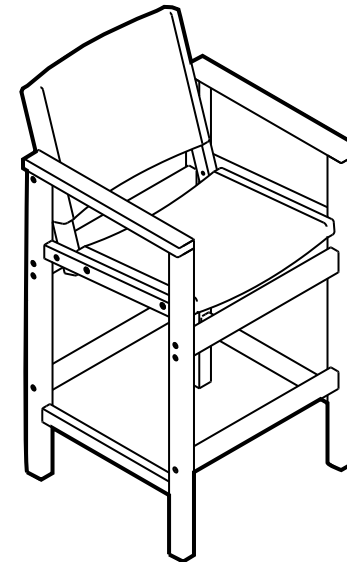


### STEP 3



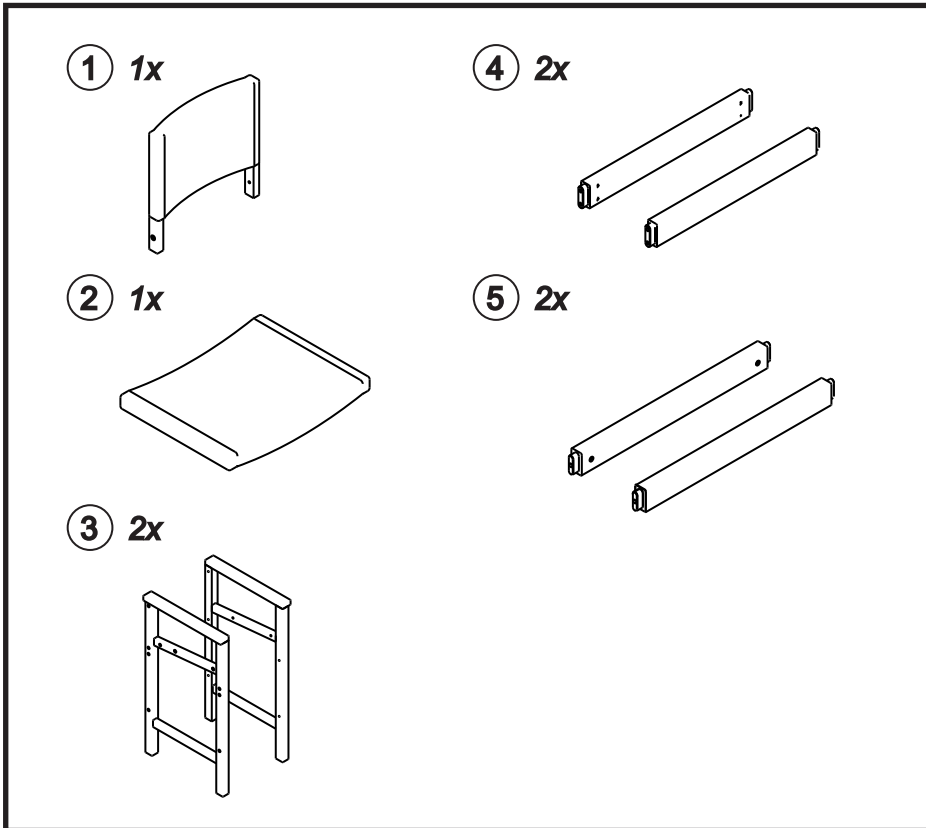
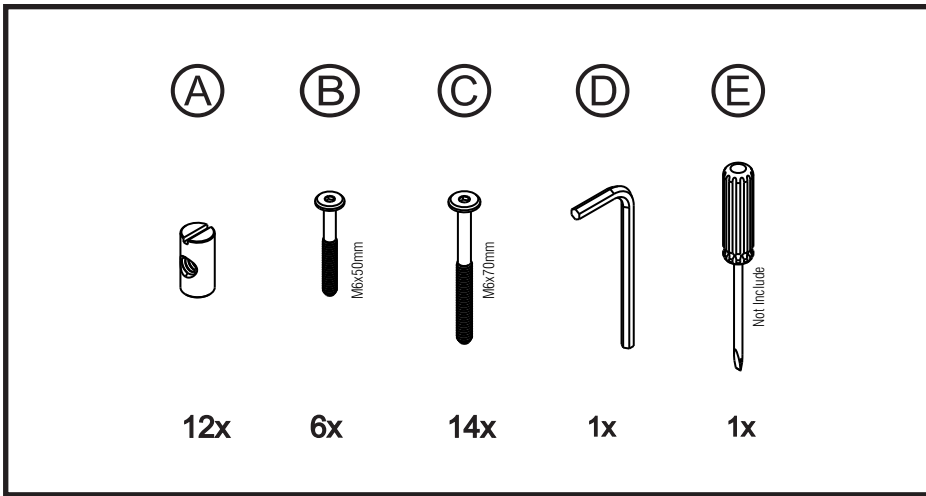
### VERANO WICKER BAR CHAIR



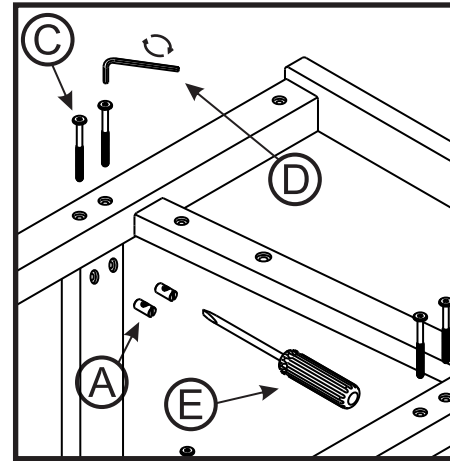
*If you need extra help with the assembly or think there's a part missing please visit the support page at [4seasons.co.nz](http://4seasons.co.nz) or call us on 03 547 0770*



**4seasons**



### STEP 1



### STEP 2

