

**Exploded  
views**

**MASTERBUILT®**



# Masterbuilt - Gravity Series™ 560



MB20041020

# MB20041020

1. Smoking/Warming Racks - 9004190161

2. Smoke + Sear Grates - 9004190162

3. Temperature Gauge - 9904190044

4. Lid Assembly - 9904190021

5. 6. & 7. Handle Kit (handle mounts & tube) – 9904190022

8. Heat Manifold Support – 9904190039

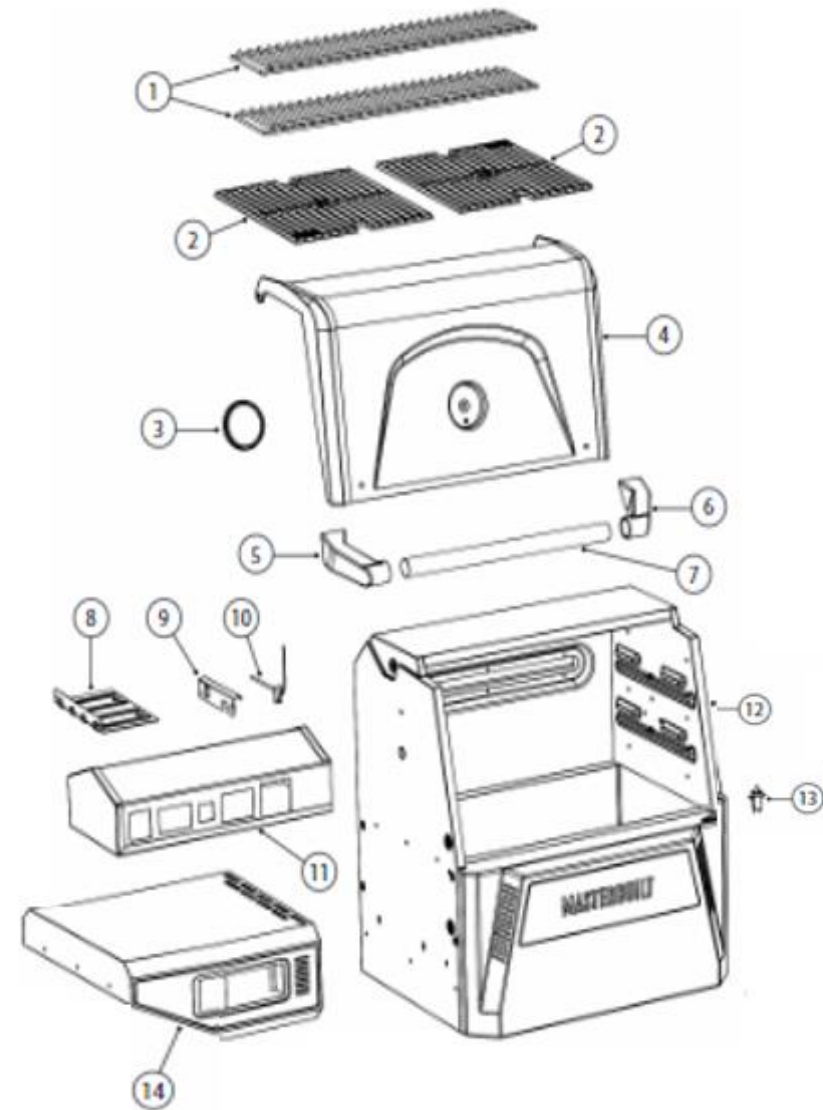
9. & 10. Temperature Probe Kit (Bracket & Probe) – 9904190024

11. Heat Manifold Assembly – 9904190038

12. Body Assembly – 9904190023

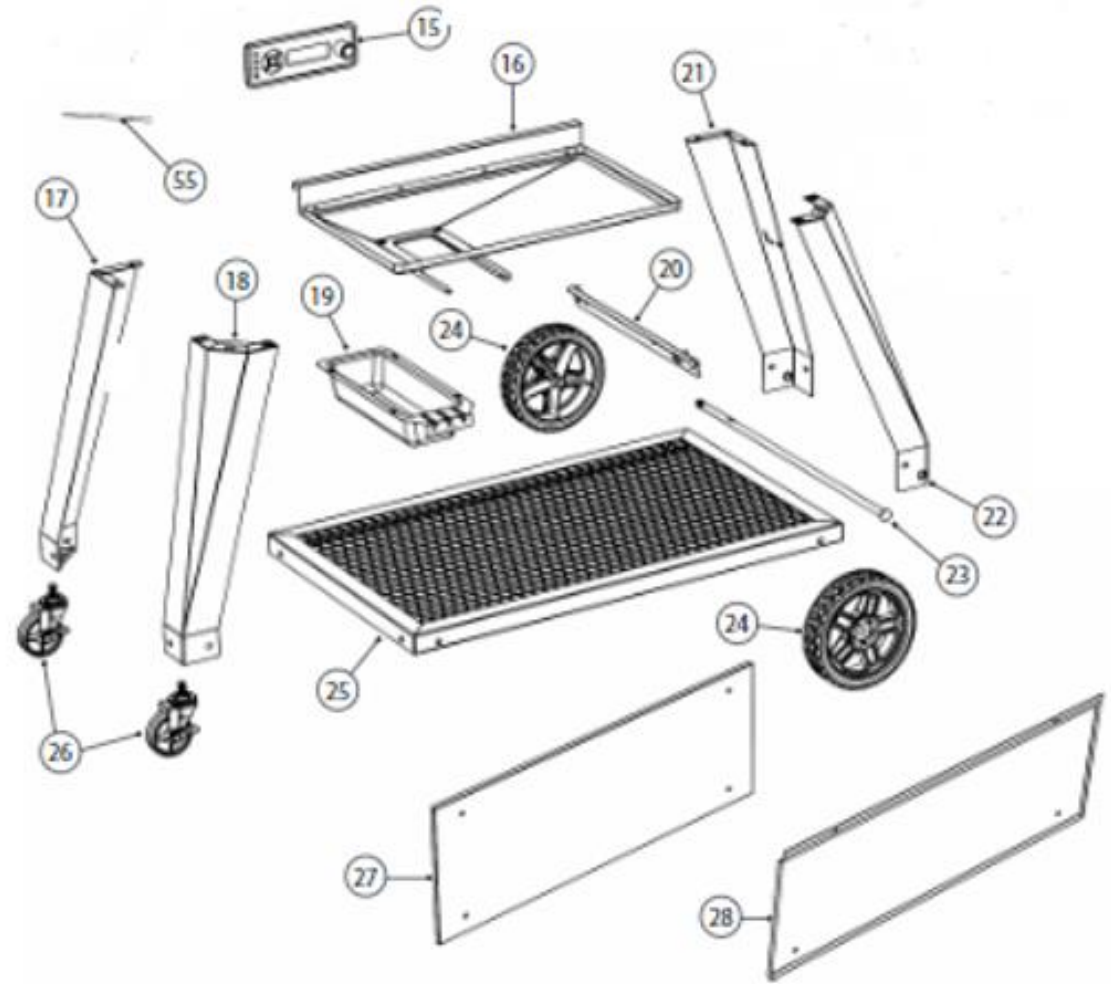
13. Lid/Door Switch – 9904190041

14. Side Shelf Assembly - 9904190035



# MB20041020

- 15. Controller Assembly – 9904190036
- 16. Bottom Tray Assembly - 9004190164
- 17. Left Rear Leg Assembly - 9904190031
- 18. Left Front Leg Assembly - 9904190093
- 19. Grease Tray - 9004190165
- 20. Hopper/Cart Support - 9904200001
- 21. Right Rear Leg - 9904190032
- 22. Right Front Leg - 9904190092
- 23. Wheel Axle with Lock Nut (Axel Kit) - 9904190034
- 24. 8" Wheel - 9904190033
- 25. Bottom Shelf Assembly - 9904190037
- 26. 3" Caster – 9004190163
- 27. & 28. Inner Liners - Part of body kit - 9904190023



# MB20041020

29, 30. & 31. Hopper Lid Kit, Hopper Lid Assembly, handle & washer – 994190025

32. Hopper Heat Shield Top - 9904190029

33. Hopper Lid Latch - 9904190043

34. Hopper Assembly Top - 9904190026

35. Hopper Gasket - 9004190124

36, 37. & 38. Fire Brick Kit – 9904190030 (Front/Rear & left/Right Fire Brick)

39. Hopper Assembly – Middle- 9904190027

40. Grill Heat Intake Fiber Spacer- part of Hopper middle kit (9004190027)

41. Heat Intake Slide (Large)- 9004190313

42. Air Intake Slide (Small)- 9004190314

43. Hopper Door Latch- 9904190042

44. Charcoal Grate Assembly- 9004200136

45. Air Intake Flap/Bracket- part of kit

46. Hopper Heat Shield - Bottom Rear/ Bottom Front- 9904190029

47. Hopper Door Assembly- 9004190160

48. & 49. Fan Guard/Fan - 9904190040

50. Hopper Assembly Bottom (45, 35, 50. & 52. Hopper bottom Assembly kit) - 9904190028

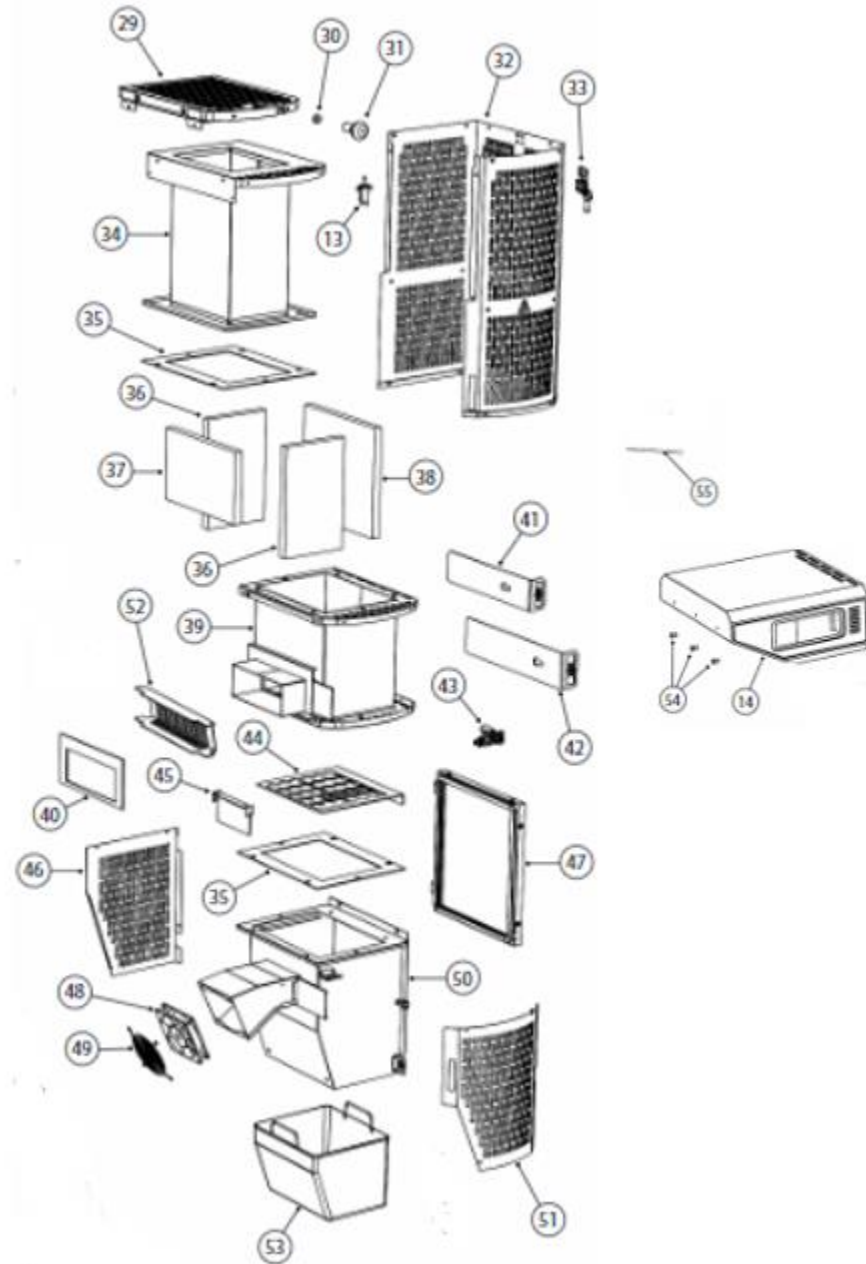
51. Hopper Heat Shield - Bottom Front

52. Grill Heat Intake Grate- (part of bottom assembly kit)

53. Ash Tray Assembly - 9004190167

54. Tool Hanger - 9904190047

55. Antenna (part of controller assembly kit) - 9904190036



# Masterbuilt - Gravity Series™ 800

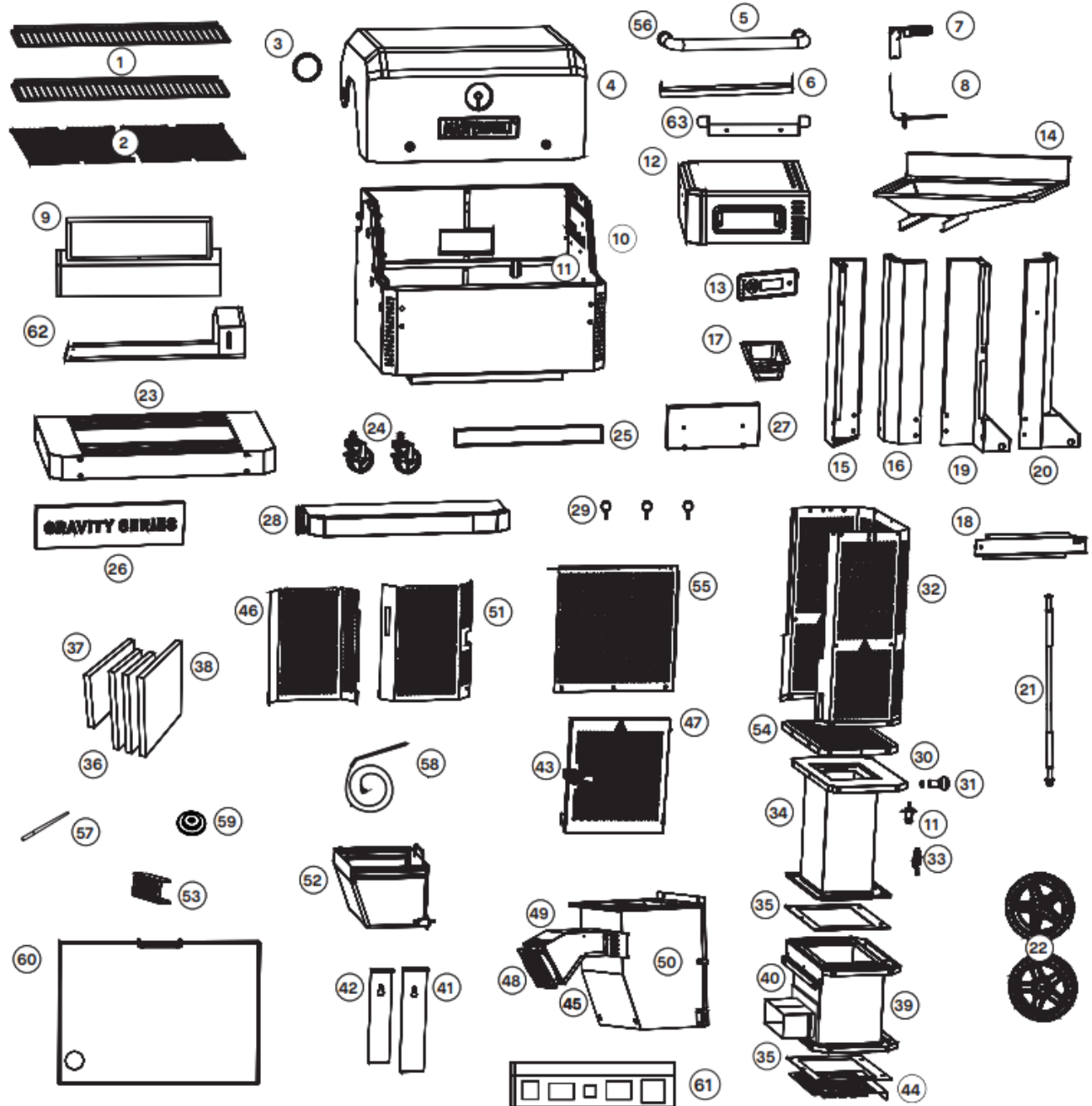


MB20042221



# MB20042221

- 26. Front Leg Cross Brace 9904200038
- 27. Side LH Leg Brace 9904200036
- 28. Front Shelf Assembly 9904200042
- 29. Tool Hanger 9904190089
- 30&31 Hopper Lid Handle Washer/ Hopper Lid Handle 9904190071
- 32. Hopper Heat Shield - Top NO. QTY. DESCRIPTION 9904190075
- 33. Hopper Lid Latch 9904210036
- 34/35 Hopper Assembly - Top Hopper Gasket 9904210004
- 36&37&38 Front/Rear Fire Brick, Left Fire Brick, Right Fire Brick 9904190030
- 39. Hopper Assembly - Middle 9904210005
- 40. Grill Heat Intake Fiber Spacer is part of 9904210005
- 41. Heat Intake Slide (Large) 9004190313
- 42. Air Intake Slide (Small) 9004190314
- 43. Hopper Door Latch 9004210001
- 44. Charcoal Grate Assembly 9004200136
- 45. Fan Brace (not on NS)





# MB20042221

46&51 Hopper Heat Shield - Bottom Rear/  
Hopper Heat Shield - Bottom Front

9904190075

47. Hopper Door Assembly 9004210001

48. & 49. Fan/Fan Guard 9904190040

51. Hopper Assembly - Bottom 9904190075

52. Ash Tray Assembly

53. Manifold Ash Grate 9904190046

54&56&59. Hopper Lid Assembly/Lid

Handle Washer/Lid handle base 9904190071

55. Hopper Shrouding

57. Antenna 9904200043

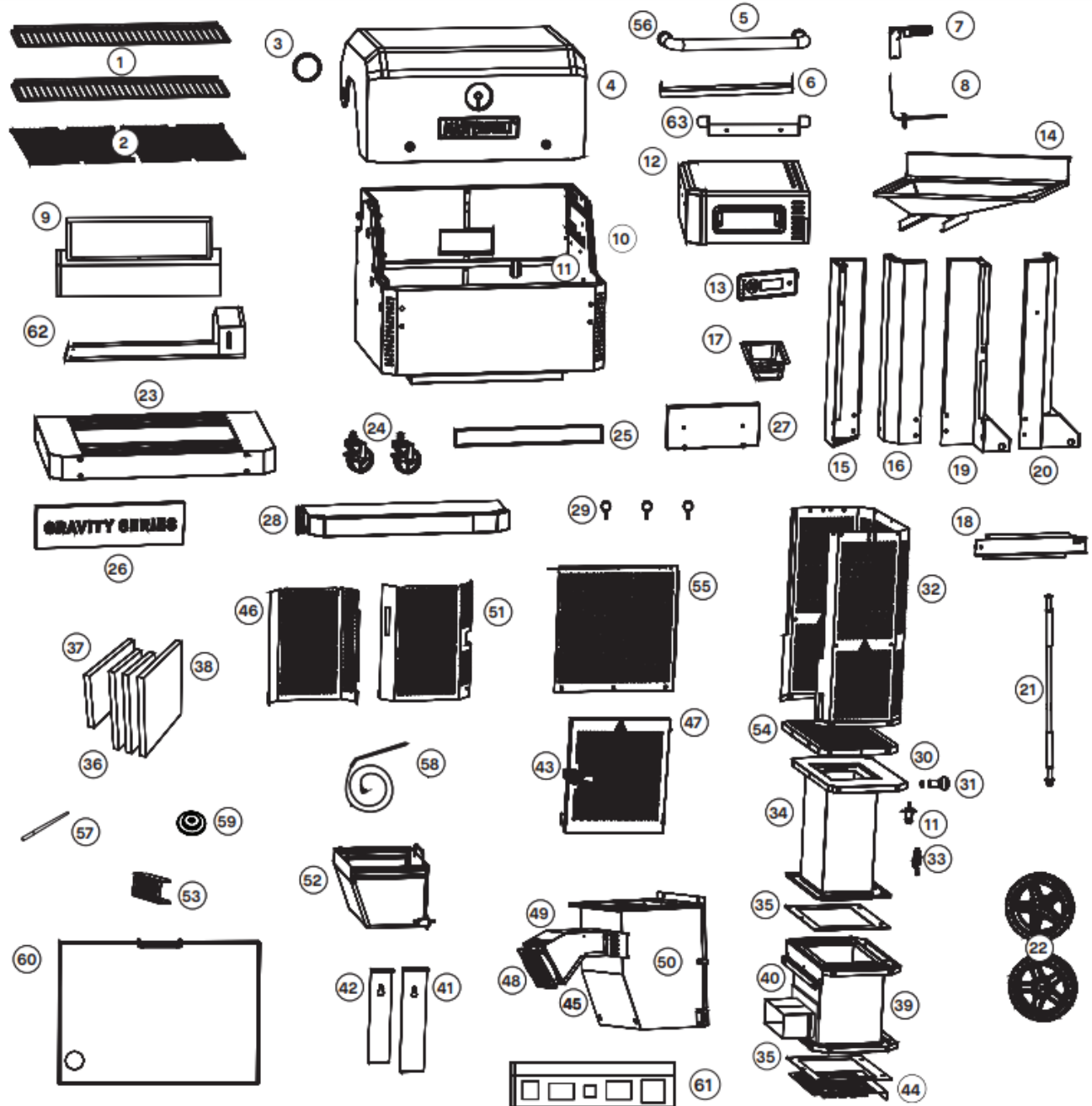
58. Meat Probe 9004190170

60. Griddle 9004200096

61. Heat Manifold (Grill) 9904200046

62. Heat Manifold Base 9904200045

63. Cord Management Bracket 1 Power Cord /  
Plug + 3 Pcs Plugs



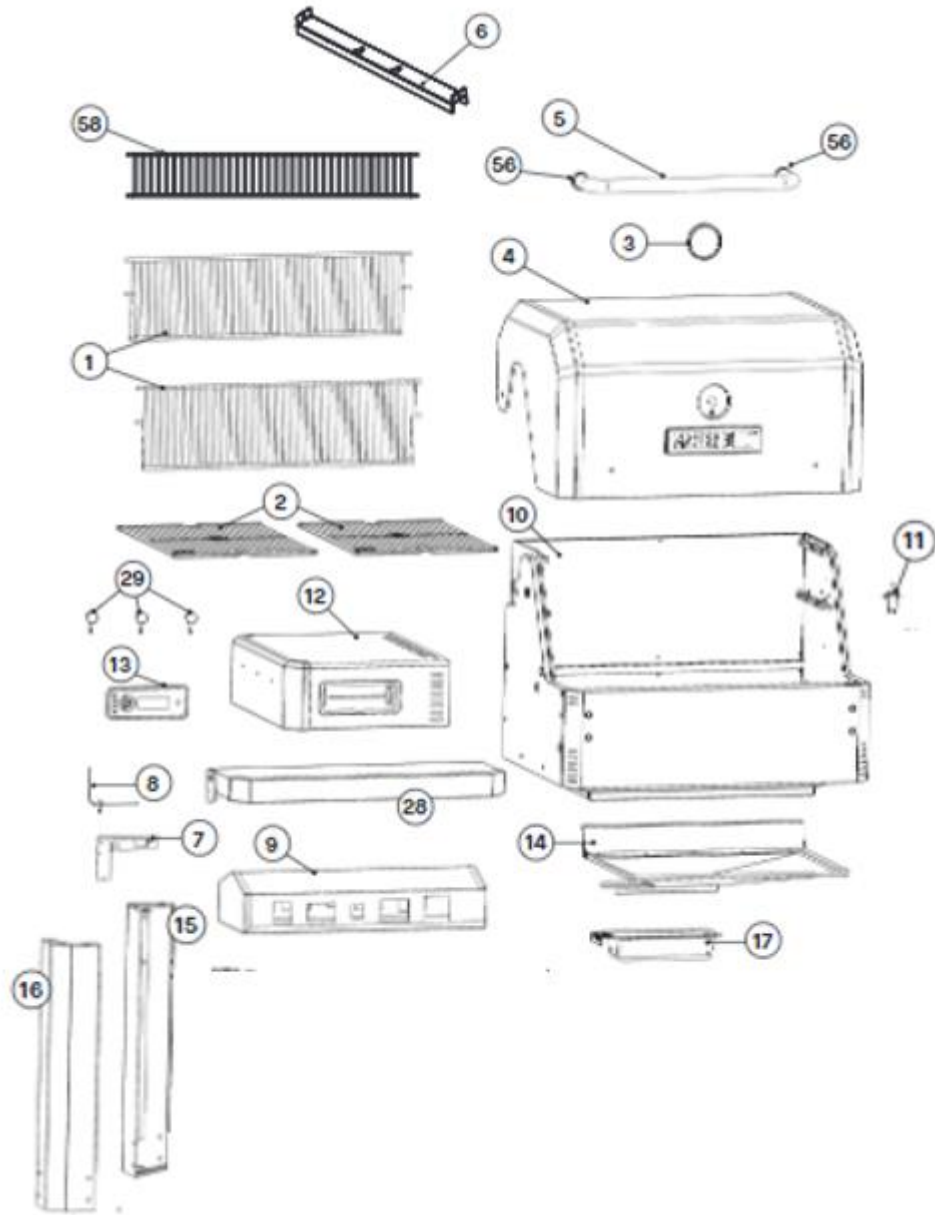
# Masterbuilt - Gravity Series™ 1050



**MB20041320**

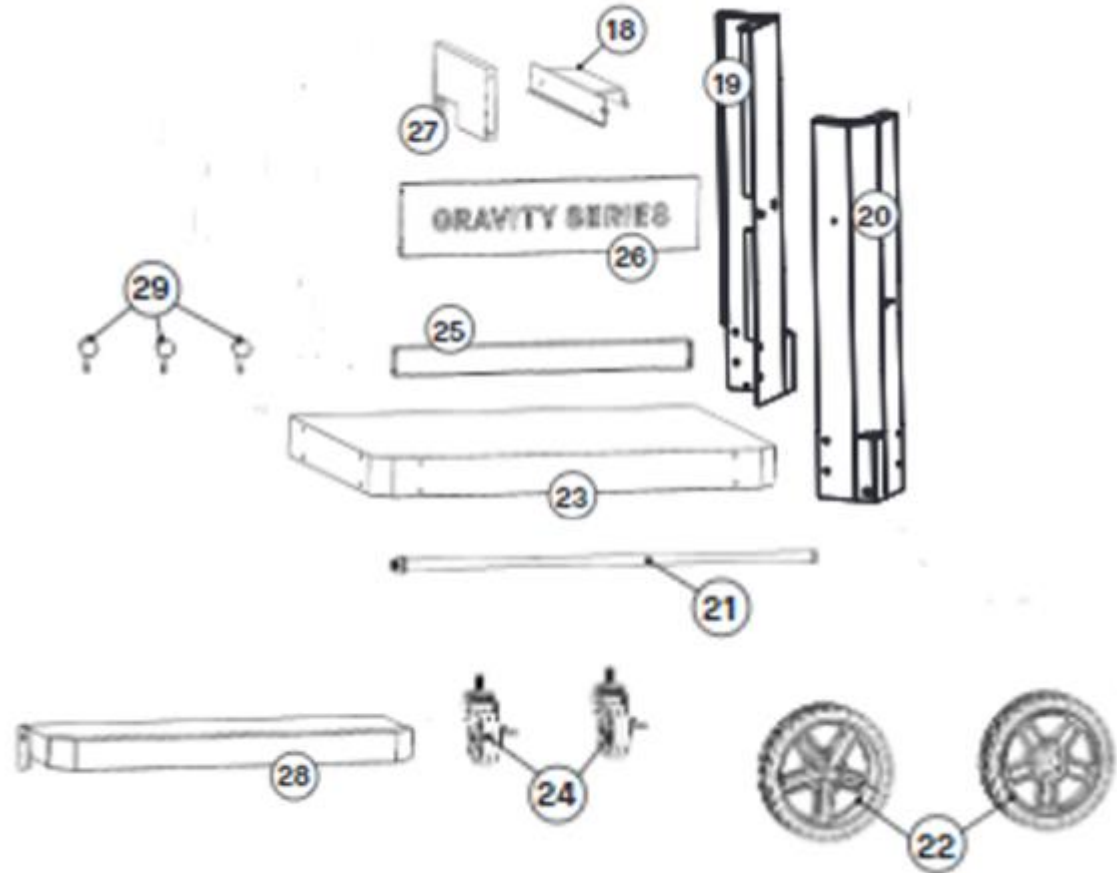
# MB20041320

- 1. Smoking/Warming Racks - 9004190307
- 2. Smoke + Sear Grates - 9004190308
- 3. Temperature Gauge - 9904190044
- 4. Lid Assembly - 9904190067
- 5. Handle Tube- 9904190068
- 6. Heat Manifold Support (kit) - 9904190091
- 7. & 8. Temperature Probe Bracket / Temp Probe - 9904190070
- 9. Heat Manifold Assembly - 9904190091
- 10. Body Assembly (kit) - 9904190069
- 11. Lid/Door Switch - 9904190041
- 12. Side Shelf Assembly - 9904190087
- 13. Controller Assembly - 9904200004
- 14. Bottom Tray Assembly - 9004190309
- 15. Left Rear Leg Assembly - 9904190078
- 16. Left Front Leg Assembly - 9904190076
- 17. Grease Tray - 9004190310



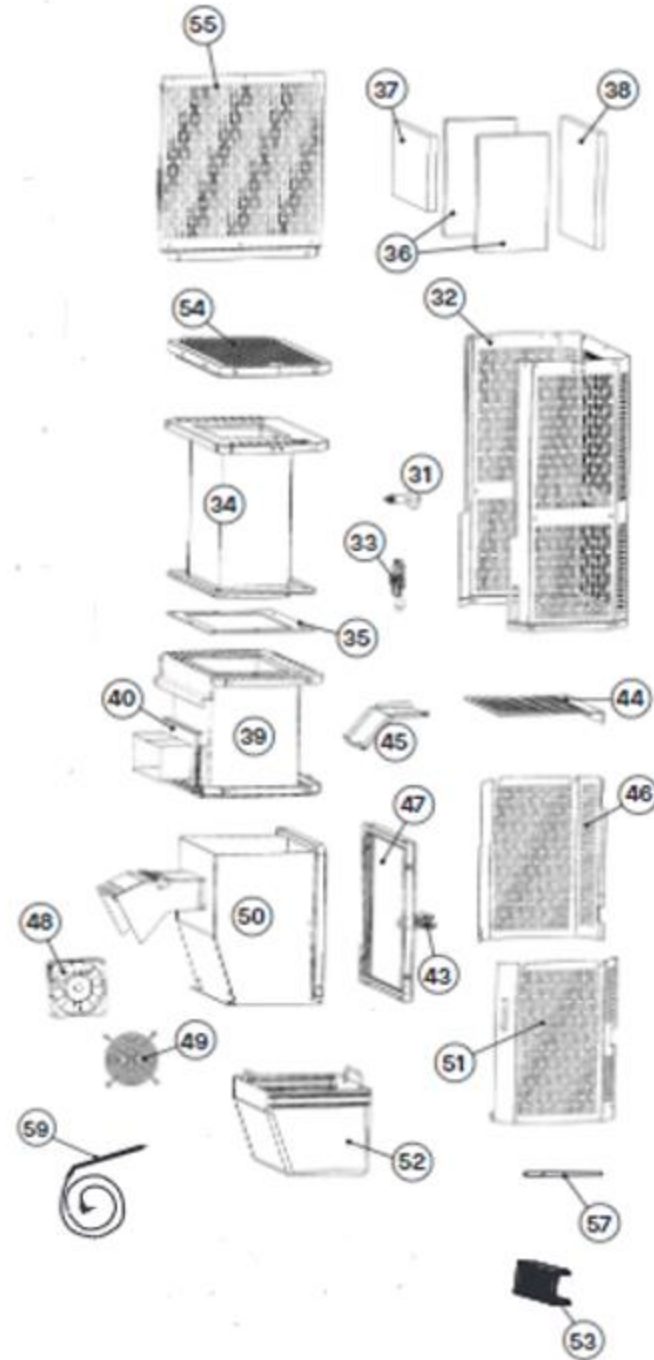
# MB20041320

- 18. Side RH Leg Brace 9904190082
- 19. Right Rear Leg 9904190080
- 20. Right Front Leg 9904190077
- 21. Wheel Axle with Lock Nut 9904190086
- 22. 8" Wheel 9904190033
- 23. Bottom Shelf Assembly 9904190090
- 24. 3" Caster 9904190163
- 25. Back Leg Brace 9904190084
- 26. Front Leg Cross Brace 9904190083
- 27. Side LH Leg Brace 9904190081
- 28. Front Shelf Assembly 9904190088
- 29. Tool Hanger 9904190089



# MB20041320

- 30. & 31. Hopper Lid Handle & Washer 9904190071
- 32. Hopper Heat Shield – Top 9904190075
- 33. Hopper Lid Latch 9904210036
- 34. Hopper Assembly – Top 9904210004
- 35. Hopper Gasket 9904190124
- 36. 37. & 38. Front/Rear/Left/Right Fire Brick 9904190030
- 39. Hopper Assembly – Middle 9904210005
- 40. Grill Heat Intake Fiber Spacer is part of 9904210005
- 41. Heat Intake Slide (Large) 9904190313
- 42. Air Intake Slide (Small) 9904190314
- 43. Hopper Door Latch 9904210001
- 44. Charcoal Grate Assembly 9904200136
- 45. Fan Brace (not on NS)
- 46. Hopper Heat Shield - Bottom Rear 9904190075
- 47. Hopper Door Assembly 9904210001
- 48. & 49. Fan/Fan Guard - 9904190040
- 50. Hopper Assembly – Bottom 9904210006
- 51. Hopper Heat Shield - Bottom Front 9904190075
- 52. Ash Tray Assembly 9904190167
- 53. Grill Heat intake Grate
- 54. Hopper Lid Assembly 9904190071
- 55. Hopper Shrouding
- 56. Lid Handle Base 9904190068
- 57. Antenna 9904210005
- 59. Meat Probe 9904190170



# Masterbuilt - Dual Fuel Smoker

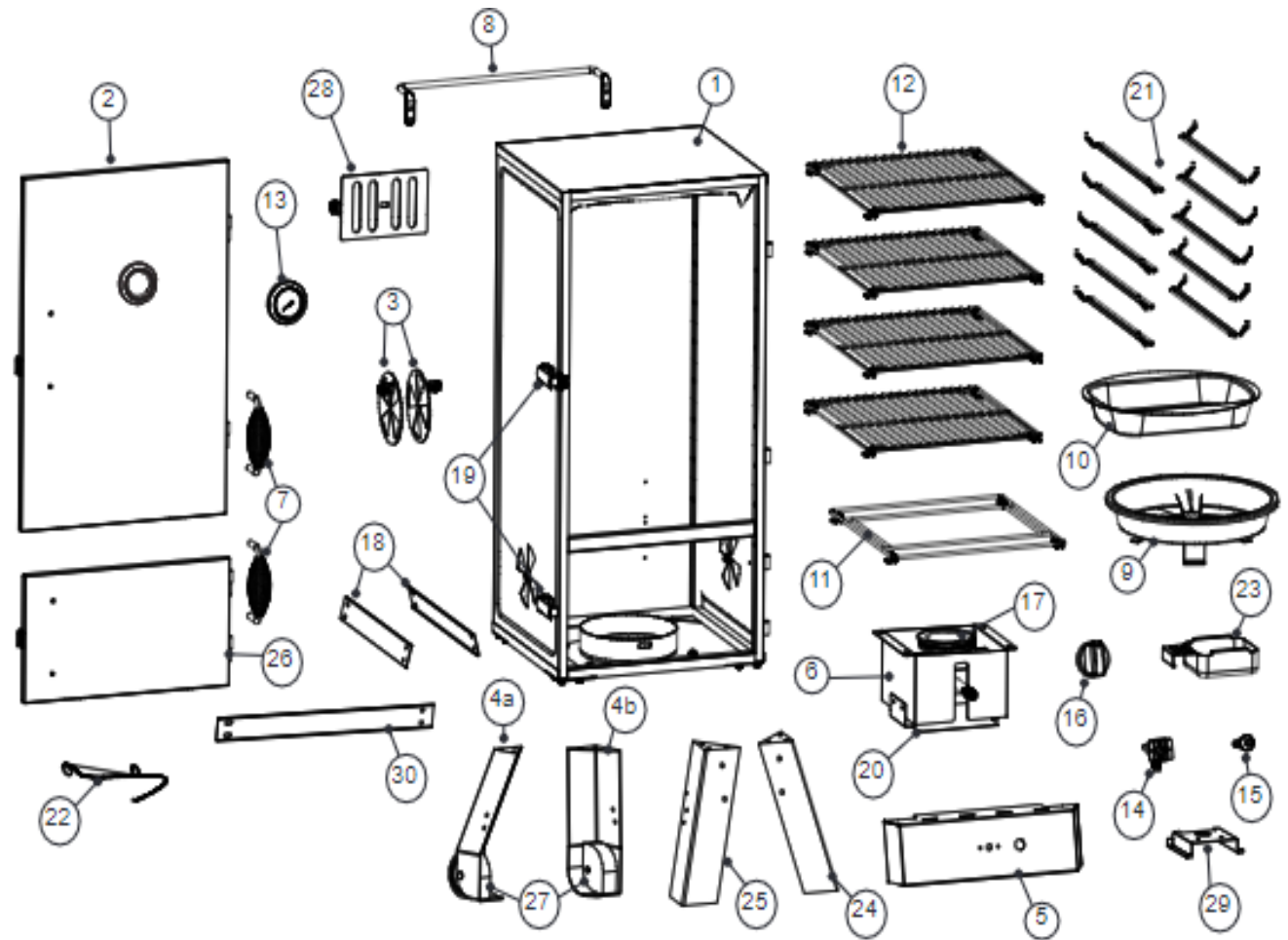


**MB20051520 (DE)**

**MB20051620**

# MB20051520 (DE) / MB20051620

1. Smoker Body - 9905100029
2. Large Smoker Door with Logo Plate - 9005210002
3. Air Damper, round - 9905100038
- 4a/4b. Rear Legs (R: 9905100032 L: 9905110006)
5. Control Panel - 9905100004
6. Burner Box - 9905100036
7. Door Handle - 9905100025
8. Body Handle - 9905100035
9. Flame Disk Bowl - 911060006
10. Water Bowl - 9005100009
11. Water Bowl Holder - 9005100007
12. Cooking Grate - 911060003
13. Temperature Gauge w/ beauty Ring - 9905110007
14. Valve (Pre-assembled)
15. Ignitor - 990060328
16. Control Knob - 9005100070
17. Burner with screw - 9005100011
18. Side Leg Brace - 9905100033
19. Door Latch - 990050222
20. Heat Shield
21. Cooking Grate Support- 9005100006
22. Matchstick with chain
23. Drip Cup - 9005100069
24. Right Front leg - 9905100030
25. Left Front Leg - 9905100030
26. Small smoker Door - 9005100048
27. Wheel - 9905100034
28. Air Damper (Square) - 9905100037
29. Drip Cup Bracket - 9905100039
30. Rear Leg Brace - 9905110008



**\*For the German SKU there is an additional Gas regulator - 9905210001**

# Masterbuilt - Digital Charcoal Smoker



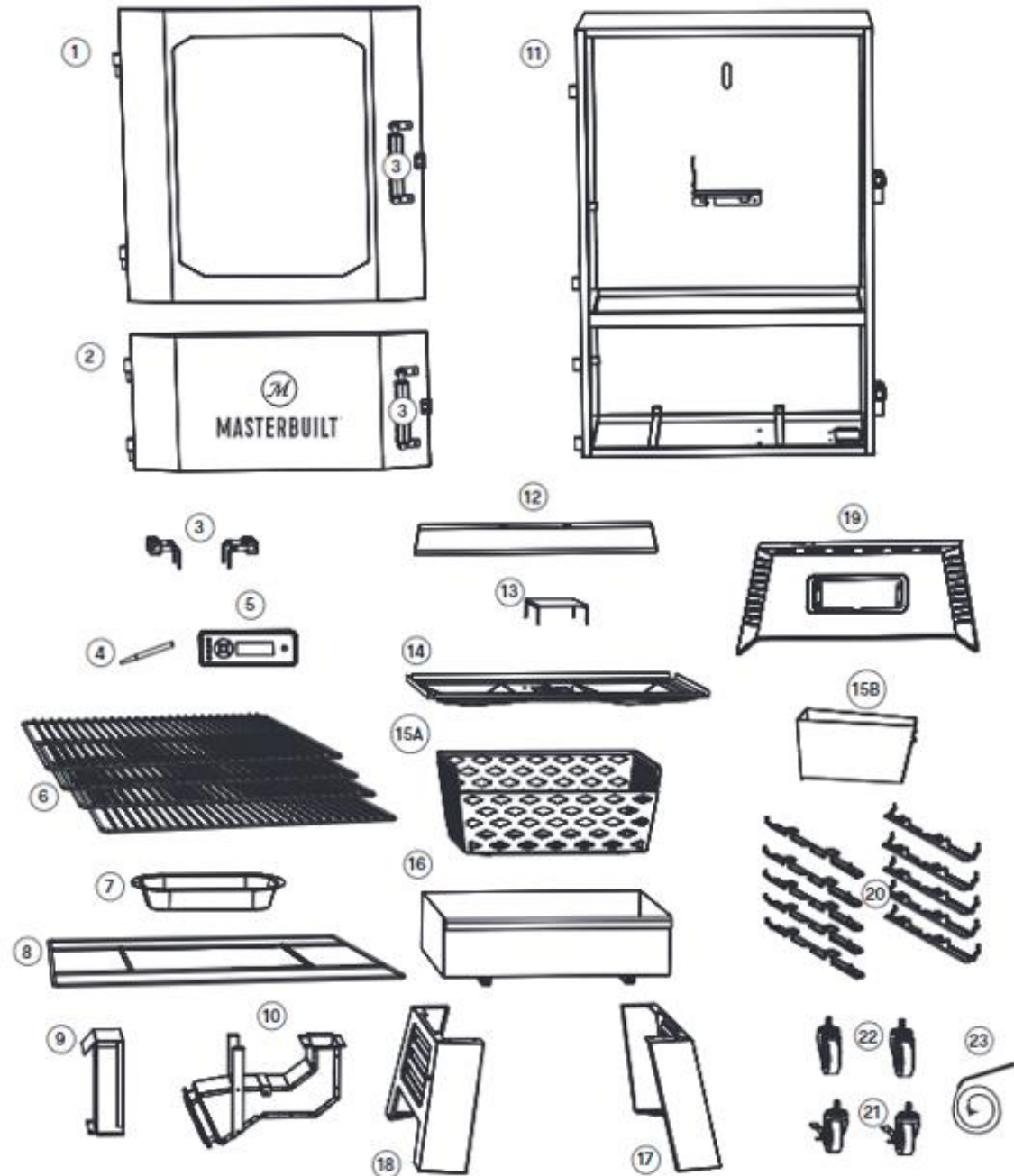
**MB20061321**



# MB20061321

1. Top Door - 9906200005
2. Bottom Door - 9906200006
3. Handle - 9906200010
4. Antenna
5. Controller - 9906200009
6. Rack - 9906200011
7. Water Bowl - 9005100009
8. Water Bowl Rack - 9005100016
9. Fan Tube kit - 9906200004
10. Lower Fan Tube Assembly
11. Body - 9906200002
12. Rear Leg Brace (part of leg kit)
13. Heat Deflector Tent - 9006200033
14. Grease Tray - 9006200032
15. Charcoal Basket (15A) 9006200029 and Partition (15B) 9006200030
16. Ash Tray - 9006200031
17. Leg Kit – 9906200003 Right Legs
18. Left Legs -
19. Front Leg Brace -
20. Rack Support - 9906200011
21. Locking Casters - 9006200017
22. Non-Locking Casters - 9006200018
23. Meat Probe - 9004190170

Universal Power Adaptor (not pictured) - 9910210001



# Masterbuilt – Electric Smoker 140B



**MB20075917**  
**MB20077118 (UK)**



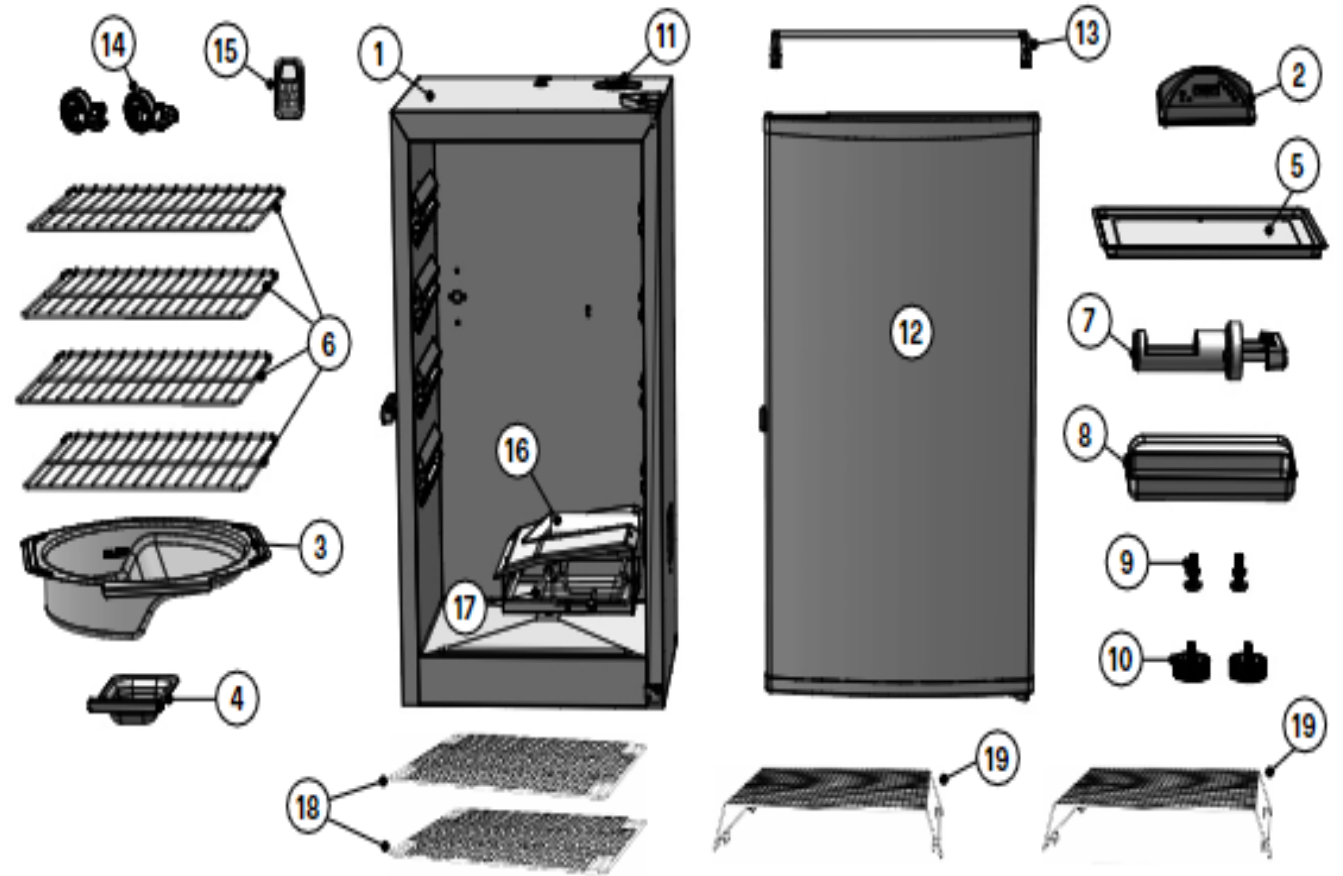
# Masterbuilt – Electric Smoker 130B



**MB20075617**  
**MB20077118 (UK)**

# MB20075617

1. Smoker Body - 9907190028
2. Digital Control Panel - 9907190018
3. Water Bowl - 9007170040
4. Wood Chip Tray - 9007140023
5. Drip Pan - 9007180001
6. Rack - 9007170303
7. Wood Chip Loader - 9007160005
8. Grease Tray – 910060047  
Grease tray Bracket Kit - 9900500024
9. Adjustable Screw Leg - 910050006
10. Leg Boot - 910050009
11. Air Damper Kit - 990060221
12. Door Kit - 9907170052
13. Rear Handle (NOT featured)
14. Wheels (NOT featured)
15. Remote Control
16. Wood Chip Housing - 9907170027
17. Element - 9907120011
18. Chrome Coated Mesh Rack (If featured)
19. Chrome Coated Mesh Accessory Rack (If featured)



- PCB Access Panel - 9907170054  
Power Circuit Board - 9907190020

# Masterbuilt - Portable Charcoal BBQ with or without Cart



**MB20040822**

# MB20040822

1. Temperature Gauge - 9904210034
  2. Lid Handle Bezel - 9004210104 (in Lid Kit)
  3. Lid Handle kit- 9904210018
  4. Charcoal Hopper Lid - 9004210117
  5. Charcoal Hopper - 9904210020
  6. Manifold - 9004210119
  7. Body Liner - 9904210091
  8. Left Shelf -9904210025
  9. Mica Gaskets - 9004210150 (in shelf kits)
  10. Leg Support
  11. Foot Tube
  12. Lid- 9904210090
  13. Lid Handle Liner- part of Lid handle kit
  14. Charcoal Grate -9004210118
  15. Grease Tent- 9004210182
  16. Cooking Grate - 9004210120
  17. Handles
  18. Right Shelf- 9904210026
  19. Metal Shelf Support Rear- 9004210153
  20. Metal Shelf Support Front - 9004210152
  21. Body kit- 9904210019
  22. Body Spring - 9004210159 (in Leg Kit)
  23. 6" Wheels- 9904210030 (wheel Kit)
  24. Wheel Axle - 9004210277 (in Leg Kit)
  25. Grease Cup- 9004210121
- Battery box & PCB -9904220001

