

# SALT FX<sup>®</sup> home Halogenerator



## QUICK START GUIDE

# QUICK START GUIDE

## WHAT'S IN THE BOX?



SALT FX® home Halogenerator\*



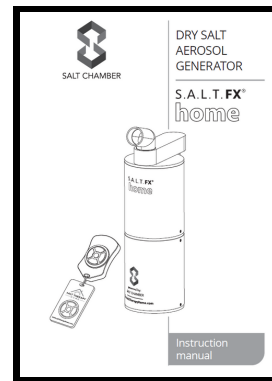
Remote Control Key Fob and Guide



Pop-Up SALT Booth®  
(only if ordered)



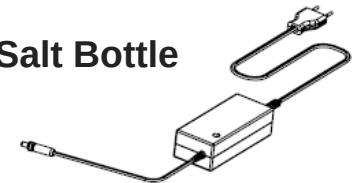
500g of HaloSalt™ (1 Box)\*\*



Instruction Manual



Salt Bottle



AC/DC Plug Adapter

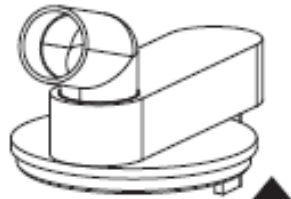
Brush



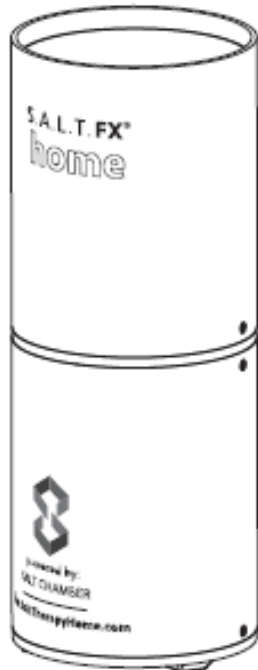
**\*PLEASE NOTE:** Nozzle comes detached from the halogenerator and is embedded in a Styrofoam block along with the Remote Control Key Fob and Guide and Salt Bottle. **\*\*Total number of boxes dependent on possible additional salt order.**

# QUICK START GUIDE

## HOW TO USE THE DEVICE | HOW TO PREPARE SESSION

**1**

Separate the cover from the halogenerator body by pulling the cover up.

**2**

Pour the salt into the halogenerator.

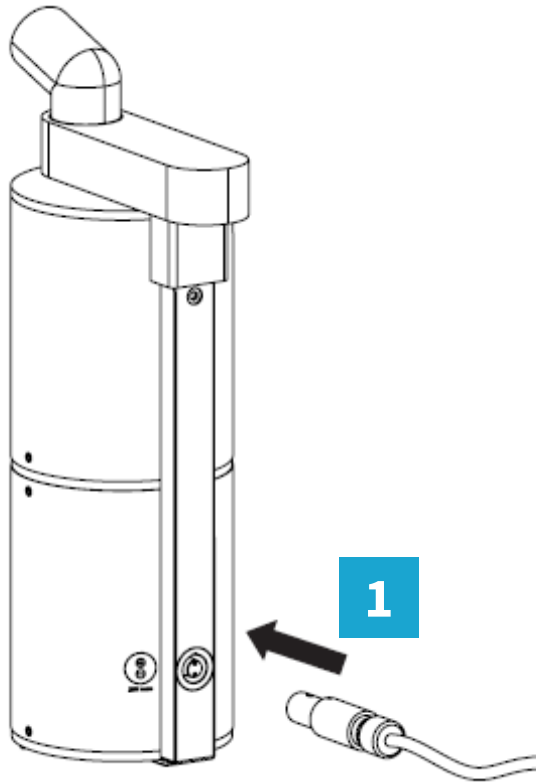
- Green:** 10 grams (2 packets of salt)
- Yellow:** 15 grams (3 packets of salt)
- Blue:** 20 grams (4 packets of salt)
- Red:** 20 grams (4 packets of salt)

**PLEASE NOTE:** Only use HaloSalt™ or another approved medical pure grade sodium chloride.

Any other salt may damage the halogenerator and void your warranty.

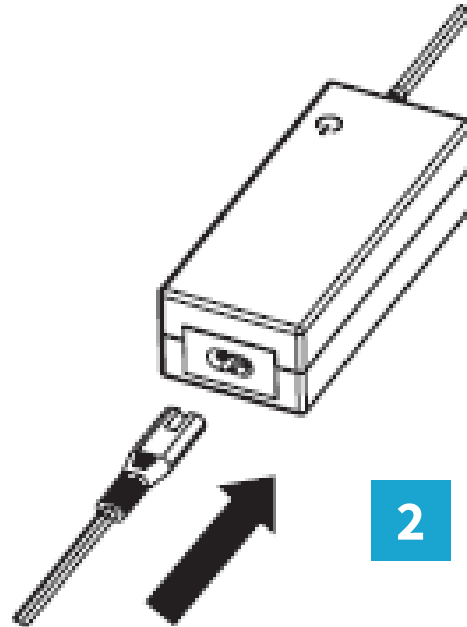
# QUICK START GUIDE

## HOW TO USE THE DEVICE | POWERING ON

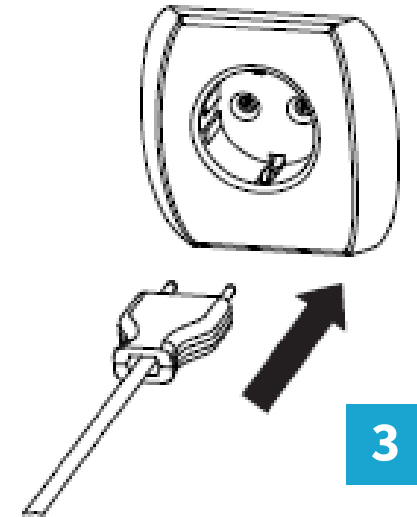


Put the cover back on the halogenerator.

Line up and insert DC plug of the AC/DC adapter to the DC connector located on back side of the halogenerator.



Connect the AC cable to the AC/DC adapter body.



Connect the AC/DC adapter to an electronic power outlet.

# QUICK START GUIDE

## HOW TO USE THE DEVICE | TO START/STOP THE SESSION

The halogenerator is operated remotely by pressing the command buttons on the remote controller. Choose one of four available programs to operate. Press the corresponding button on the remote controller to start the session. If you touch a command button, the indication on the device will light up with the corresponding color.



**RED = MAX (FULL CAPACITY OPERATION)**

**BLUE = HIGH (5 SECONDS OPERATION, 5 SECONDS PAUSE)**

**YELLOW = MED (5 SECONDS OPERATION, 10 SECONDS PAUSE)**

**GREEN = LOW (5 SECONDS OPERATION, 15 SECONDS PAUSE)**

**GREY = STOP**

Each program is designed for 10 minutes. If you press the top button (RED) for the MAX program, the program will continuously disperse the salt and last for only 5 minutes. When using in an enclosed area or with the Pop-Up SALT Booth®, we recommend pressing the button until the enclosed space is filled with salt aerosol, and then pressing the middle STOP button (GREY). Once the salt begins to fall, turn the halogenerator on again and continue to self-regulate the amount of salt dispersal throughout the session by turning the halogenerator off and on.

Since each person reacts differently to salt therapy, try different programs to determine which is right for you. Start on the low program when using with children and/or pets. As with all wellness modalities, the frequency of use and individual results will vary. If needed, please consult your physician for personalized medical advice.

To interrupt a session, press the STOP button (GREY button). If a session is not interrupted by pressing the button STOP button (GREY button), the device will stop automatically after 10 minutes. If the grinder is blocked or the cover is removed or badly fitted, the session will not start and the error light indicator will appear.

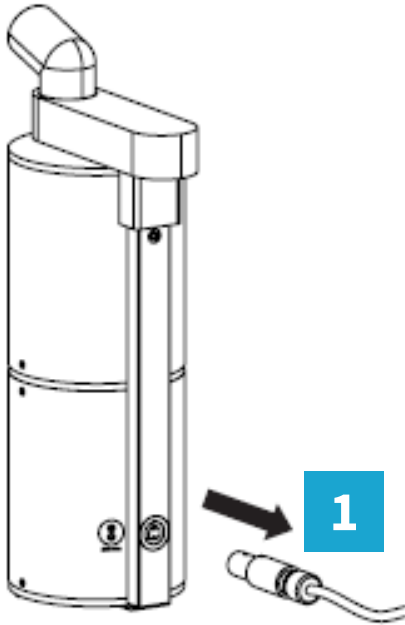
### ERROR LIGHT INDICATORS

**RED-GREEN = REMOVED OR BADLY FITTED HALOGENERATOR COVER.**  
PLACE THE COVER AND PRESS STOP (GREY BUTTON).

**RED-BLUE = THE GRINDER IS BLOCKED.**  
CLEAR THE GRINDER AND PRESS STOP (GREY BUTTON).

# QUICK START GUIDE

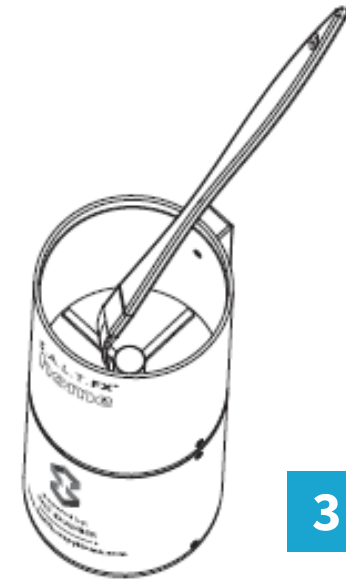
## HOW TO TAKE CARE OF THE DEVICE | CLEANING



Unplug DC plug of AC/DC adapter from the DC connector located on the back side of the halogenerator.



Separate the cover from the halogenerator body by pulling the cover up.



Clean all the surfaces of the grinder and the cover after each use.

Assemble the halogenerator in reverse order of disassembly.

**DISCLAIMER:** While there are many clinical and scientific studies conducted on dry salt therapy (halotherapy) throughout the world, the FDA has not evaluated the statements made throughout this website. Dry salt therapy is not intended to diagnose, treat, cure, or prevent any disease. For more information on the benefits of salt therapy, please visit [www.SaltTherapyAssociation.org](http://www.SaltTherapyAssociation.org) and become a member.