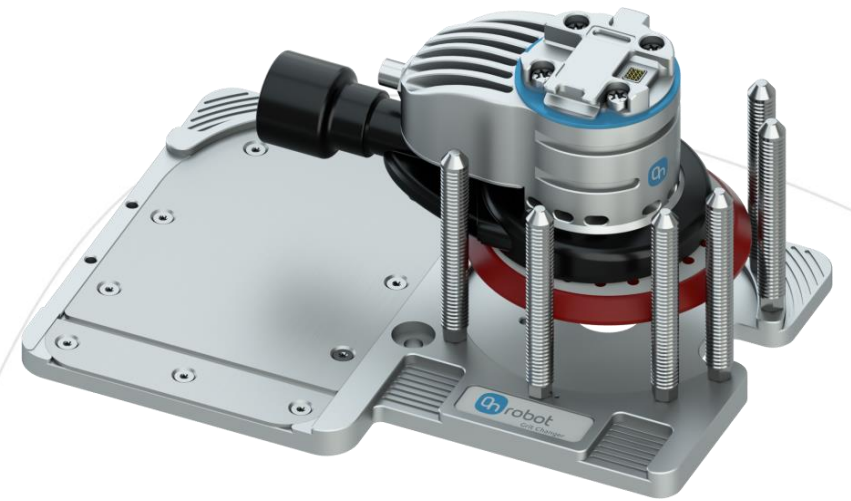




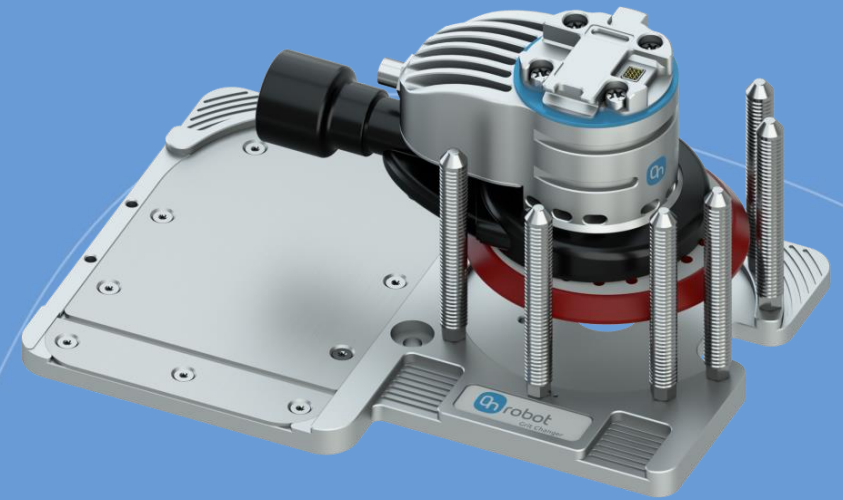
OnRobot Sander Accessory Kit

Basic training





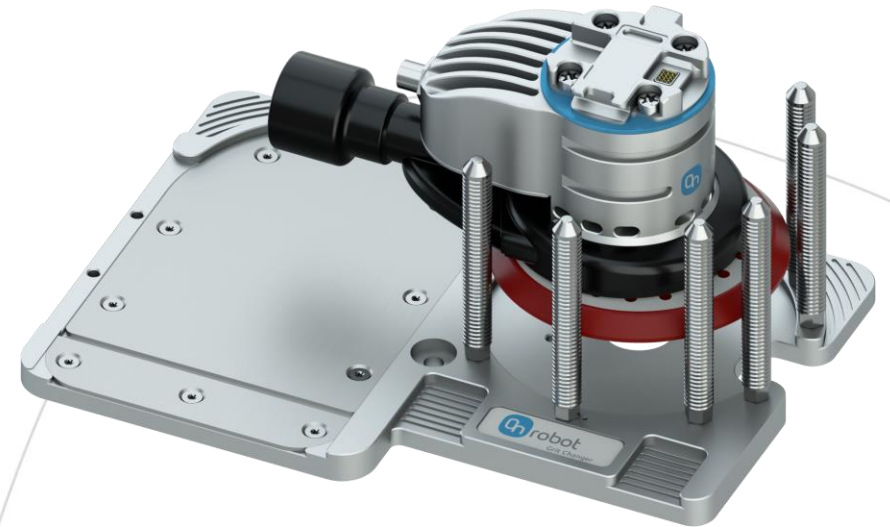
Technical information



Technical information

Grit changer

- Teach the pick-up position of the grits
- Save time by automizing grit changing
- Removing Grit automatically
- Checking if Grit is mounted
- Works with Pad size 127 mm



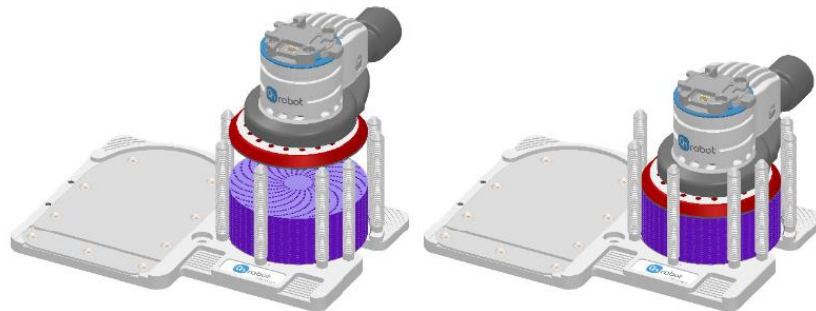
Technical information

Grit changer

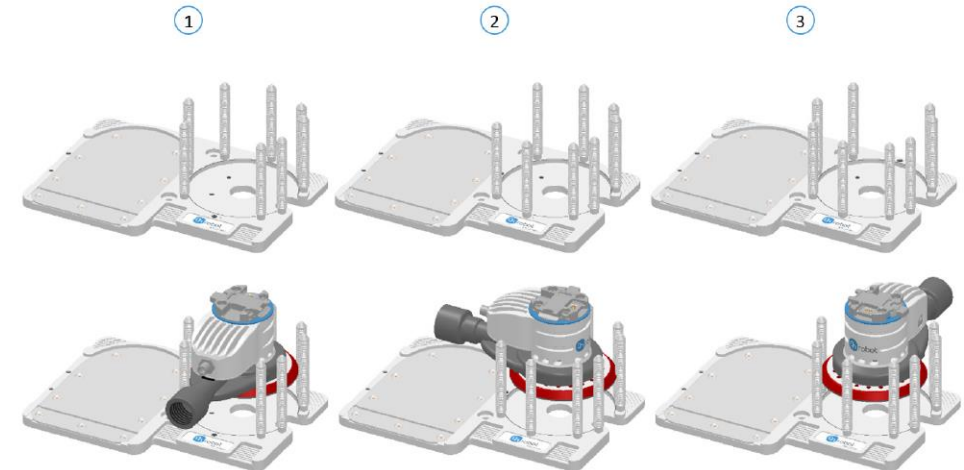
Following functions are available

1. Pick new grit
2. Remove grit
3. Remove and pick new grit

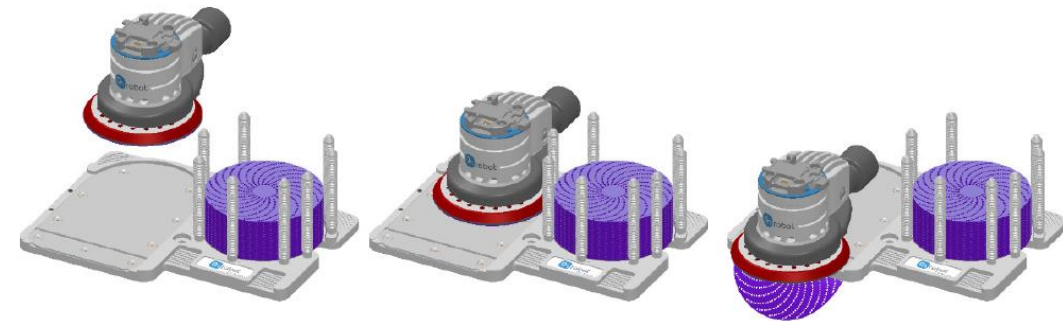
Grit Pick-up process



Set rod position in the UrCap



Grit removal process



Technical information

Grit changer

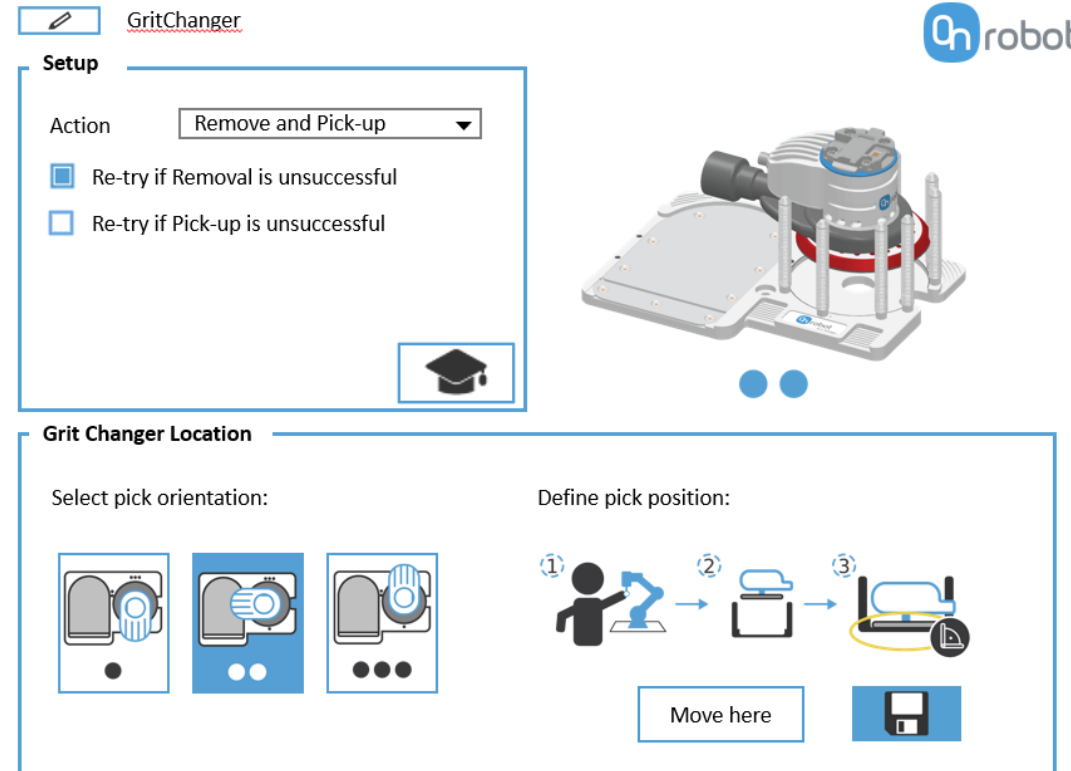
UrCap


- Set pick orientation
- Define pick position
- Set Action

Customize

1. Pick up force
2. Removal force
3. TCP speed
4. Warning about grit stack size
5. Elevation from rods
6. Number of re-tries

Grit Changer




 GritChanger

Setup

Action:

Re-try if Removal is unsuccessful

Re-try if Pick-up is unsuccessful




Grit Changer Location

Select pick orientation:

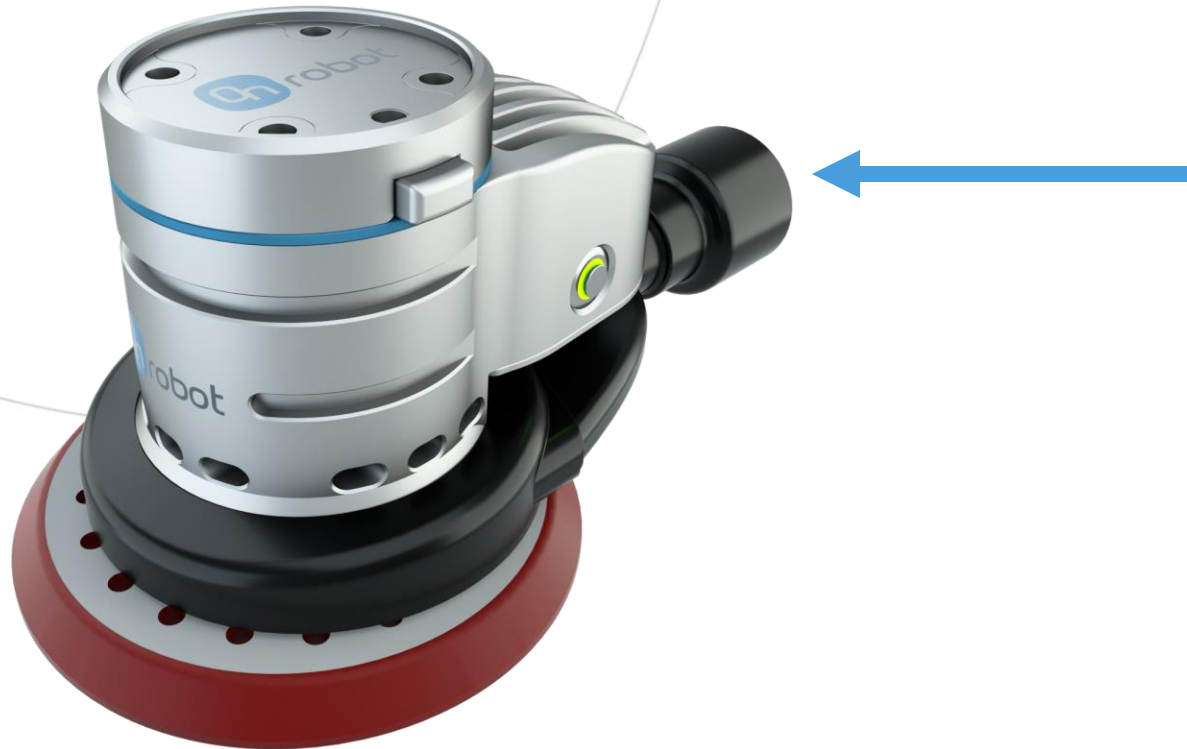
Define pick position:

① → ② → ③



What's important to know!

OnRobot Sander technical information

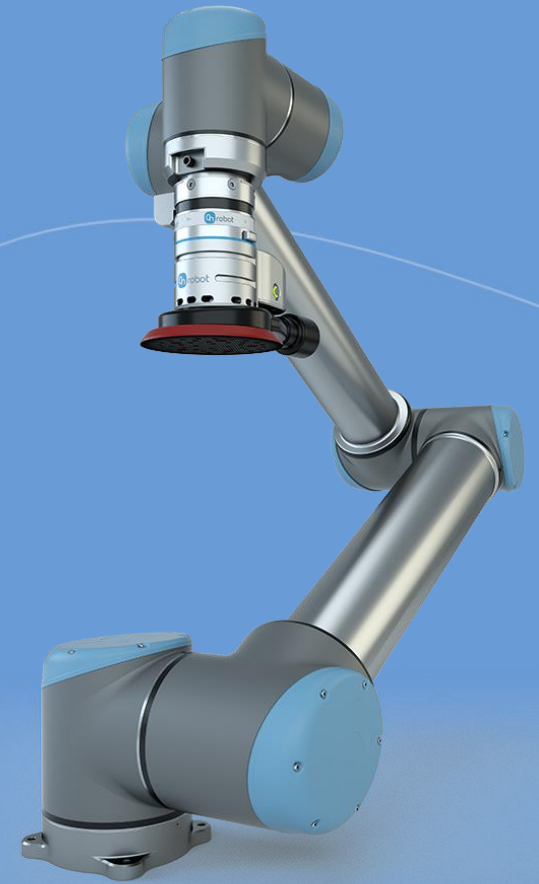


Vacuum Hose Adaptor

- Customer can connect their dust extraction system
- Fitting is included in the Accessory kit
- A cable sock is also included
- A tool balancer makes the cables “weightless”, necessary when dust extraction is attached.



Package content

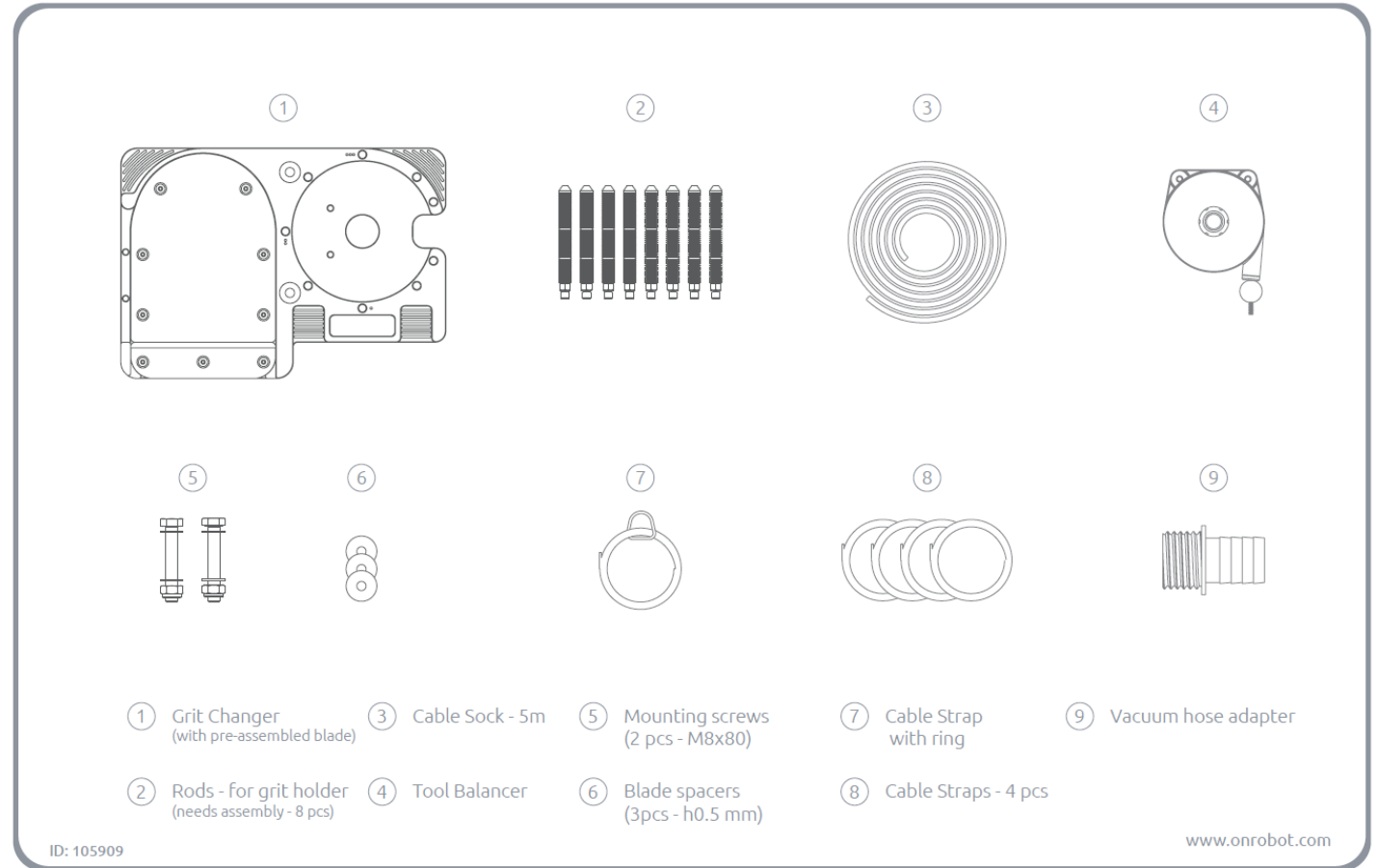


Package content

OnRobot Sander Accessory Kit #105909 (NOT included in # 104901)

Contains

- Grit Changer
- Rods- for grit holder
- Cable sock 5m
- Tool balancer
- Mounting screws (2pcs –M8x80)
- 3 x Blade spacers
- Cable strap with ring
- 4x Cable Straps
- Vacuum Hose adapter





More information

For more information, please contact your OnRobot representant or visit our website

www.onrobot.com

