

General specifications	KR1410	KR1805
Reach (mm)	1400	1800
Payload (kg)	10	5
Weight (kg)	35	38
Joint Speed (deg/sec)	170/225	170/225
Joint Ranges (deg)	J2 and J4: -70°/+180° J1, J3, J5, J6 and J7: ±360°	
Brakes on joints	Yes	Yes
Absolute encoders on joints	Yes	Yes
Repeatability (mm)	+/- 0.1	+/- 0.1
Degrees of freedom	7	7
Foot print (mm)	160x160	160x160
Operating temperature (C°)	0-45	0-45
Body material	Anodized aluminum	
Protection rating	IP54	IP54

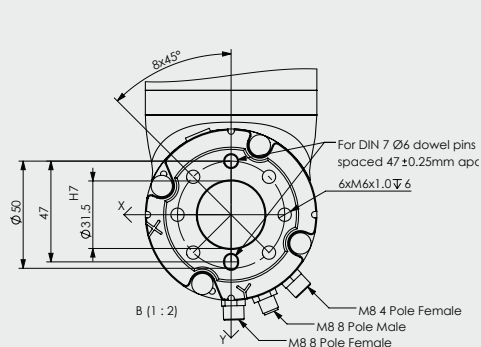
Controller	KR Controller KR1410/KR1805
Digital outputs 24V (pcs)	8
Relay outputs (pcs)	4
Digital inputs 3-30V (pcs)	16
Analogue I/O 0-10V (pcs)	2/2
Analogue I/O 4-20mA (pcs)	2/2

Power	KR1410/KR1805
Power consumption (with max. load; W)	400-1200
Supply Voltage (VAC)	100-120 or 200-240
Supply Current (A)	16
Supply frequency (Hz)	50/60
Max speed (mm/s)	2000/2400
Absolute encoders on joints	Yes
Sound level (dB) Below	70

Robot frames, kinematics and mechanical interfaces

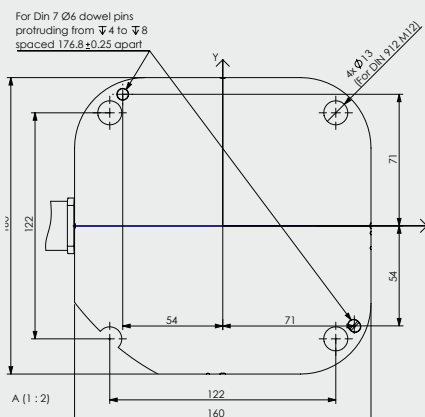
KR1410/KR1805

Tool head with connections



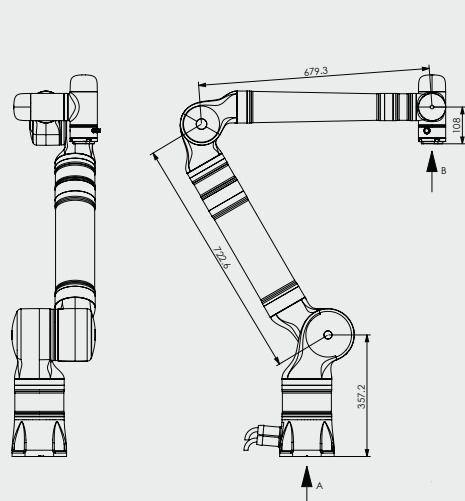
KR1410/KR1805

Based plate dimensions



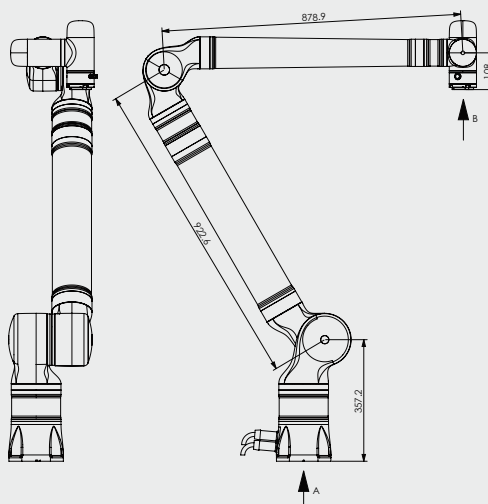
KR1410

Dimensions



KR1805

Dimensions



Kassow Robots: Product Family

Reach/Payload

KR810	850 mm/10 kg
KR1205	1200 mm/5 kg
KR1410	1400 mm/10 kg
KR1805	1800 mm/5 kg

You will find the technical data of the two other cobots **KR810** and **KR1205** in an extra data sheet.

(Last revised 03/2020)



Contact

Kassow Robots
 Oliefabriksvej 57
 2770 Kastrup, Denmark
 +45 20 24 09 95
 sales@kassowrobots.com
www.kassowrobots.com