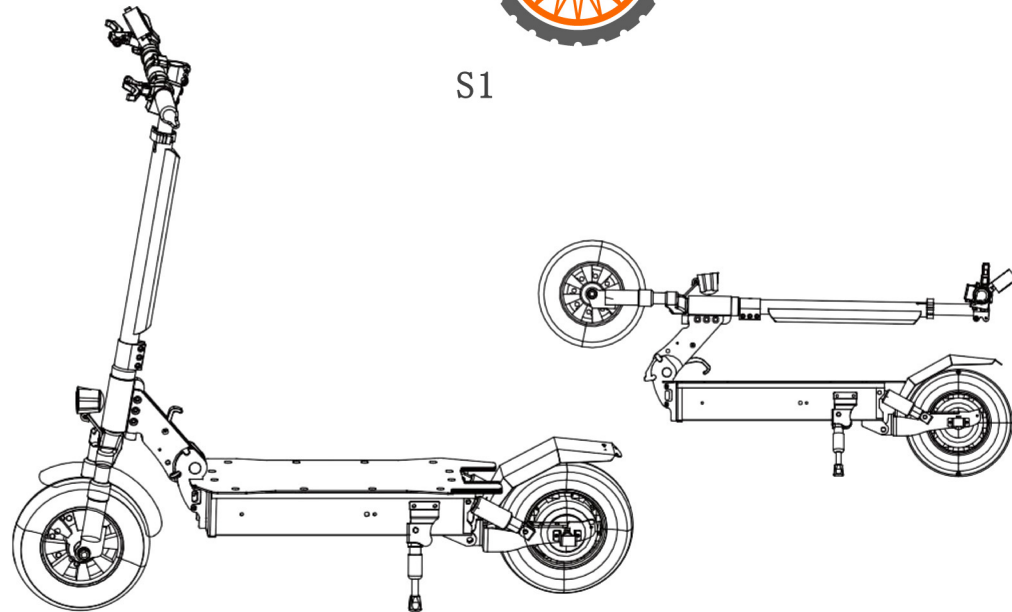


形式：骑马钉（20P）  
尺寸：159x110mm

材质：120g双铜  
工艺：单色 双面印刷，封面覆哑膜



S1



## About the manual

- Congratulations on your purchase of the S1 .
- For your driving Safety, please read this user manual carefully before using and ensure to be able to ride the scooter under correct guidance. Learning all the safety warning and tips listed in this manual that will be helpful for you to better control the scooter.
- Please note "warnings" and "tips" in this manual particularly.  
Warnings: Improper operation may result in personal injury.  
Tips: Helpful advice & clues for the usage of S1 .
- Should you have any inquiries, please contact the supplier immediately.

### Tips:

- A. Children below 14 years old shall be accompanied by an adult.
- B. The people without experience, poor ability to accept & physical coordination, should learn to ride with accompanies. Please read this manual carefully before you ride the electric scooter, make sure that you can riding with correct guide.
- C. No parents Accompanied, children are prohibited from cleaning and maintenance of the product.

### WARNING!

IMPROPER USE OF THE scooter AND/ OR FAILURE TO READ THIS USER MANUAL MAY LEAD TO SERIOUS BODILY INJURY .SELLER WILL TAKE NO RESPONSIBILITY FOR ANY INJURIES CAUSED BY IMPROPER USE WITHOUT FOLLOWING THE MANUAL.

## Content

1. Safety Notes.....	3-5
2. Product Introduction.....	6-10
3. How to ride.....	11-12
4. Battery Instruction.....	13-14
5. Parameter.....	15
6. Maintenance.....	16
7. Trouble shooting.....	17
8. Packing List.....	17
9. Pro duct Quality Certificate.....	18
10. Product Warranty Card.....	18

# 1 Safety Notes

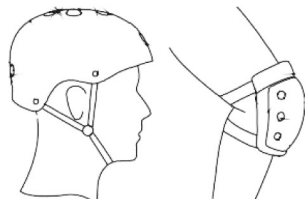
## 1.1 About safety

There's risk for any vehicle, including e-scooter. For your safety, please learn to ride safely and obey the local rules and enjoy the riding.

- Please check if the tire is damaged or the spare parts are tight before riding. Please contact local distributor for any unexpected situation.
- Please do not do anything that may harm other people or their properties with e-scooter.
- Any conversion of the e-scooter is prohibited as it will change its performance or damage the structure, which may bring serious injury.
- Please do not put the electric scooter in the water, which will not only damage the electric scooter, but also cause a safety accident.

## 1.2 Safety Precautions

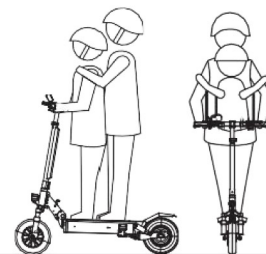
Please note that you may lose balance, crash or fall down when you ride an e-scooter. To avoid injury, you should be familiar with this manual and keep the e-scooter in good condition.



Safety measurements should be taken before riding, eg: wear sportswear, helmet, kneecap, elbow pads and so on.



DO NOT ride when it rains.



⚠ DO NOT ride with loading  
DO NOT ride with two people or more, only for one rider.



⚠ People between 14 and 60 years old may use the product, pregnant is not allowed to ride the e-scooter.



⚠ Max Loading: 120 kg



⚠ DO NOT ride after drinking or taking medicine.



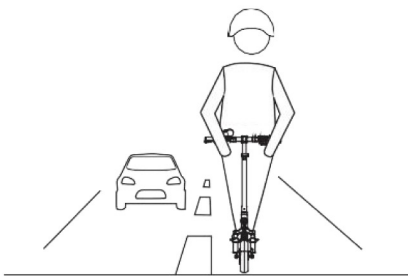
⚠ DO NOT call or listen to music when you ride the e-scooter.



⚠ Be careful of the road with roadblock, sandstone, ponding, mud, wet, ice and snow, slope (angle >15°) stairs, dark area when you are riding.



⚠ DO NOT use in dangerous area, where the exploding or catching fire may be caused by something inflammable, explosive or steam, liquid, dust and fiber.



⚠ DO NOT ride on Vehicle road.

## 2 Production Introduction

### 2.1 Overall View

LCD display instrument

The handle

Riser

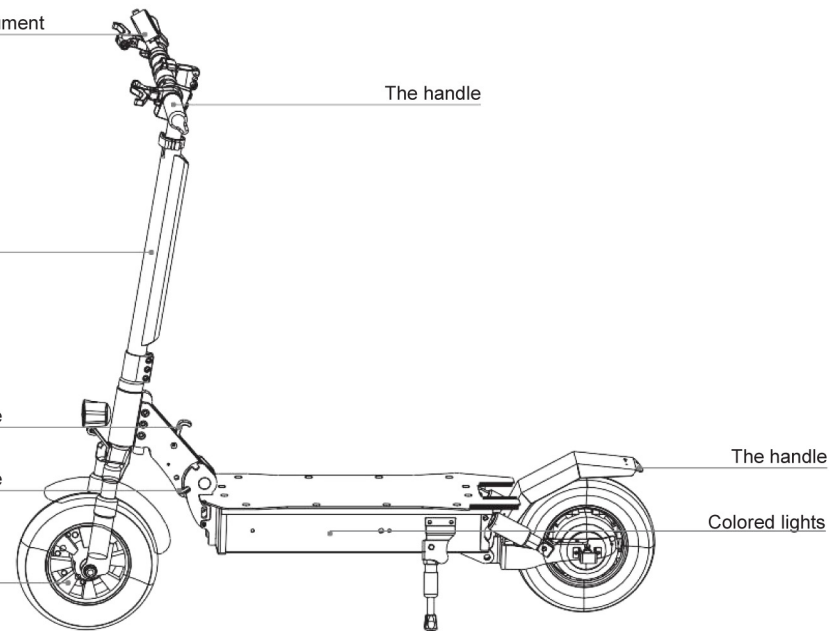
Fold/unfold buckle

Fold/unfold buckle

Disc brake disc






The handle

Colored lights





### Instructions of Buttons

- To turn on, press and hold POWER (  ) for about 3 seconds. Battery strength (  ) and the speed are displayed instantly according to the operation electric vehicle status, and the unique mileage, the accumulated mileage and the as shown according to the selected function.
- After turning on the instrument, if there is no signal input for a long time (3 minutes), the meter will automatically turn off the power.
- Briefly press the POWER button (  ) to change the screen content instrument. TRIP, ODO, VOL, etc., appear respectively. When 00:00 is displayed, the The time is displayed. When TRIP is displayed, it indicates a single mileage. When ODO is displayed, indicates the accumulated mileage. When Vol is displayed, the battery is displayed.
- Press and hold the MODE key (  ) Key wood to erase the unique mileage (under the TRAVEL interface).
- Briefly press the MODE (  ) key to change the gear position, 1 is slow speed, 2 is medium speed, and 3 is high speed.



ECO (ON): low speed  
 TURBO (OFF): high speed  
 SIMPLE: rear engine work  
 DUAL: front and rear engine work


- Charger: before loading, align the slot of the charger with the loading hole, and connect the charger to the charging hole before connecting the plug. otherwise, It may cause a short circuit in the charger.



## 2.2 Parameter settings






Press and hold the POWER and MODE buttons at the same time to access the settings. In exchange for configuration. Press MODE to advance (1) or press POWER to decrease. Desired configuration will be set after about 3 seconds.

 Note: Keep the default values of the parameter settings, please do not change them at will. (p9 is an electronic brake, can be adjusted, or is not electronic)

Press MODE to go to the next setting from PO

PO	Wheel diameter in inches. Default = 10	P6	0 = No cruise 1 = Cruise
P1	Voltage cut. Default = 41.5	P7	0 = Start of power 1 = Normal start
P2	Magnetic poles in the hub motor. Default = 10	P8	Power setting, from 0 to 100, 100 means total power
P3	Speed sensor function. Default = 0	P9	Electronic value of the braking force. Default = 2
P4	0 # Km/h, 1 # Mh. (speedometer in kilometer or mile)	P10	Function to be determined.
P5	0 = Start without kick 1 = Start with kick		

## 2.3 Fault screen

When the electric vehicle fails, the instrument shows defective components, such as engine failure () , controller failure () , controller failure () , and so on.

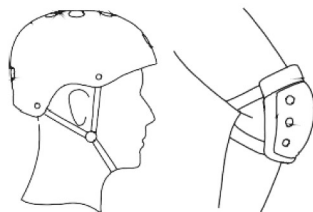
## 2.4 Function Screen

Some meter functions will show symbols, respectively, headlights on () USB charging () .

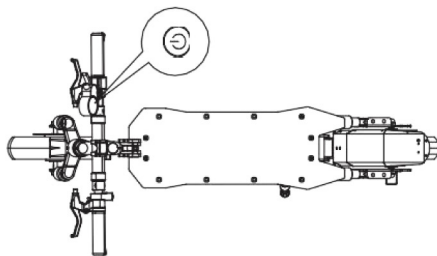
## 2.5 Wiring harness definition

Red: VCC  
Orange: electric lock  
Black: earth  
Green: Hall signal  
Blue: signal transmission  
Yellow: signal reception

### 3 How to ride the scooter



Please wear helmet, kneecap, elbow-pad when you learn to ride the scooter.



1 Press the POWER button for 2 seconds.



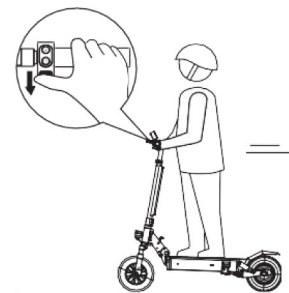
2 Put one foot on the pedal, Push off the ground with your strong leg.



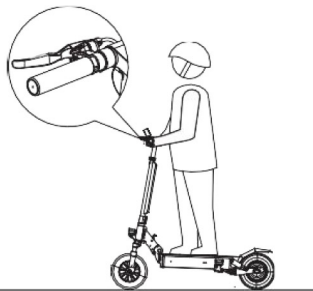
3 Balance both feet on your scooter when you have enough momentum



4 Press the THROTTLE button slightly on your right hand to start and rotate the handle to turn



5 Press the THROTTLE button to speed up. Do not ride too fast.



6 Press the brake lever to brake, and gently press the rear fender to assist the brake.



7 When the scooter stops or run at a slow speed, you can get off.

## 4 Battery Instruction

The instruction shows how to charge and maintain the battery, some safety notices and the specification. Please use the battery properly according to this instruction to prolong the battery life and its performance.

### 4.1 Battery Parameters

Name	Parameter	Name	Parameter	Name	Parameter
Type	Li-ion battery	Working Temperature	0°C-35°C	Store Time ( -10°C-40°C )	3 months (full charge)
Charging Time	8-10 hours	Charging Temperature	0°C-35°C	Initial Volume	13Ah
Voltage	48V	Max Charging Voltage	54.6V	Max Charging Current	1.5A

### 4.2 Battery Safety

Do not continue to use the battery when the following conditions occur:

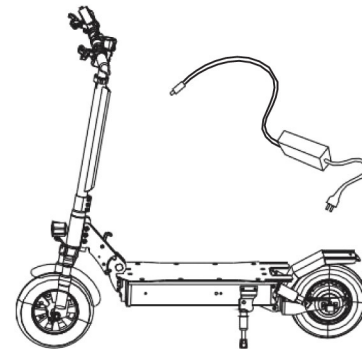
- The battery of the electric scooter should be used only with local law. Only for professionals to disassemble and maintain the battery.
- Odor or excessive heat; leak any substance; do not touch anything leaking from the battery.
- Do not let children and animals touch the battery. Must unplug the charger before installing the battery or riding. In the case of charging, it is very dangerous to do anything related to electric vehicles.
- If you want the electric scooter to run most efficiently, the battery must be charged and used within the temperature range indicated in the battery specifications.
- Lithium batteries are considered dangerous and require local law to allow transportation.
- The battery contains dangerous substances. Please do not open the battery . Do not insert anything into the battery.
- It is forbidden to charge a lithium battery that has been over-discharged. A battery that has been over-discharged has a safety hazard and can only be scrapped.

Tip: When the internal temperature of the battery exceeds 45 °C, the battery is protected.

- ⚠ Do not charge the battery at high temperature (45 ° C) or Charge the battery in a high temperature (40 ° C) environment.
- ⚠ Only use the original charging equipment to charge the electric scooter.

### 4.3 Charging step

- Open the charging port cover, Make sure the charging port is clean and dry.
- Connect the charger with the battery and the other end with power(100V-240V;50/60Hz), make sure the charging indicator is on.
- When the indicator light on the charger changes, indicating that the charging process is normal, otherwise check if the line connection is good.
- When the indicator on the charger has color change, it indicates that the battery has been filled to 99%, Please stop charging; long time over charge will affect the battery life.



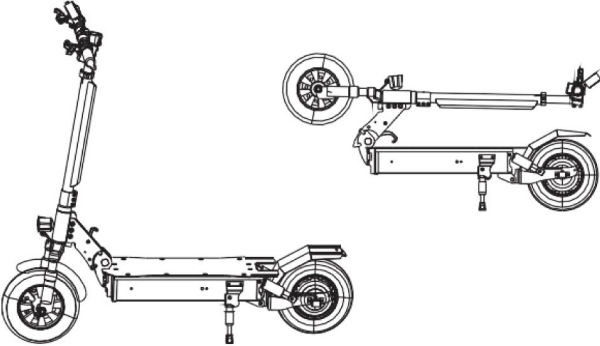
#### Tips:

Remove the battery to open the silicone charging port, plug the charger DC plug into the battery charging port; plug the power cord into the charger, then connect the other port to the socket (100V-240V; 50/60Hz), and confirm the charger indicator is on normally

Cover the charging port with the anti-dust cap in case some metal may touch the charging port and bring short-circuit after charging finished.



## 5 Specification

Product	
Liquid weigh	29.28Kg
Size	120cm x 26cm x 47cm
Wheel diameter	10 inch
Endurance	40km
Speed	55km/h
Load capacity	120Kg
Lithium battery	48V 13AH
Engine power	1000W

## 6 Maintenance

### Maintenance considerations :

- Make sure the electric scooter charger and charging line are disconnected and ensure that the electric scooter is off.
- Wipe the shell with a soft cloth to clean the electric scooter. Please don't put more lubricating oil on bearing when you do the maintenance for it.

### ⚠ Warning

- It is forbidden to clean electric scooters by using water cannon or soaking in liquid. This will cause permanent damage of the electronic devices in the host.

### Storage

- Please charge your electric scooter before storage, for preventing the battery from discharging too long time. Please ensure charge at least once every three months.
- If the storage environment temperature is lower than 0 °C, please don't charge electric scooter. Please put it in inside environment temperature (above 10 °C) and then charge, storage temperature is - 10 °C to 35 °C.
- Please keep the electric scooter in a suitable place indoor, dry and appropriate temperature. You can mask the electric scooter to prevent from the dust.

### ⚠ Warning

- In order to protect the user's safety, the user can not take apart the electric scooter, otherwise, the user will give up the maintenance warranty rights of the product automatically.

## 7 Troubleshooting

Please contact the sales office or the dealer with no hesitate for repair when the electric scooter fails to ride normally.

Description of adverse phenomena	Solution
unable starting up	Check to see if the battery is powered
can not charge	1.Check whether the plugboard has electricity; 2.Check the charger whether connect AC plug (the light whether is on); 3.Check the plug of the charger and the charging port of the whole scooter have been inserted correctly.
No horn, no blue tooth signal	Check the bluetooth switch whether turn on.

## 8 Packing List

### Electric scooter packing list :

E-scooter: 1PC

Charger: 1PC

Manual: 1PC

Screws & Wrench: 1set

Please contact us with no hesitate if there is any breakage or missing when you open package. We will replace it for you as soon as possible.

**Have a nice day!**

## 9 Product Quality Certificate

**This product is qualified by passing QC inspection and allowed to be sold on the market.**

The warranty card ( It takes effect upon manufacturer's seal and passing with serial number) regular sales invoice is effective maintenance certificate. Please keep the warranty card properly.

Release date:

QC Qualified Seal:

## 10 Product Warranty Card

### User Files

User Name		Sex		Age	
Address					
Telephone				Zip	
Purchase Site					
Purchase Price			Serial Number		
Commodity And Specifications			The User Signature		
Dealers Signature					

### We shall provide warranty service due to non-artificial quality problems.

1. One year warranty to the main body including handlebar stem, Motor, Charger...
2. Battery is 6 months warranty period,
3. Plastic Decorative cover, rubble Handlebar ,rear wheel is not in the scope of warranty.
4. All of damage by man—made(open the housing,tear off the sticker,unnormally using),or losing this card we will not guarantee.