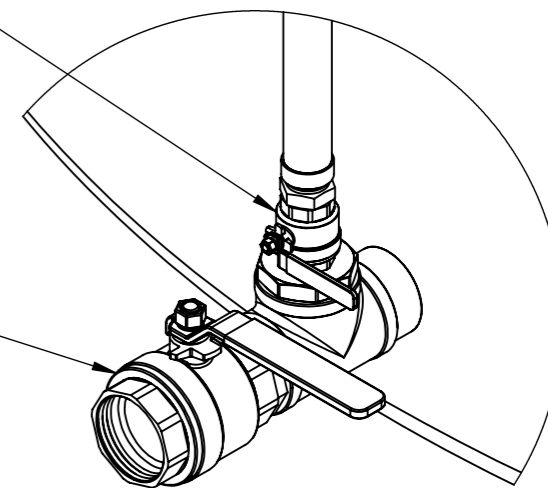


1 INCH BALL VALVE  
ISOLATION FOR DISPENSOR

2 INCH BALL VALVE  
(LOCKABLE)



DETAIL A

SCALE 1 : 5

-	-	-	-
-	-	-	-
-	-	-	-
-	-	-	-
A	RF	28/03/2023	INITIAL RELEASE
REV	DRAWN	DATE	PARTICULARS

ALL TOLERANCES UNLESS OTHERWISE STATED ±10mm / ±1°

DO NOT SCALE, USE DIMENSIONS. ALL DIMENSIONS ARE IN mm

**Polymaster**  
 161 KARINE STREET  
 SWAN HILL, VIC  
 3585  
 Ph. (03) 5033 9000  
 Fx: (03) 5033 0224  
 © POLYMASTER GROUP

DESCRIPTION	DSW9500 - DISPENSER KIT
PRODUCT CODE	DSW9500-DK
MATERIAL	-
COLOUR	
LEVEL	A
DRAWING No.	

**A3**  
SHEET SIZE

SCALE: 1:30

DRAWN RF 28/03/2023 2/1 Rev: A

