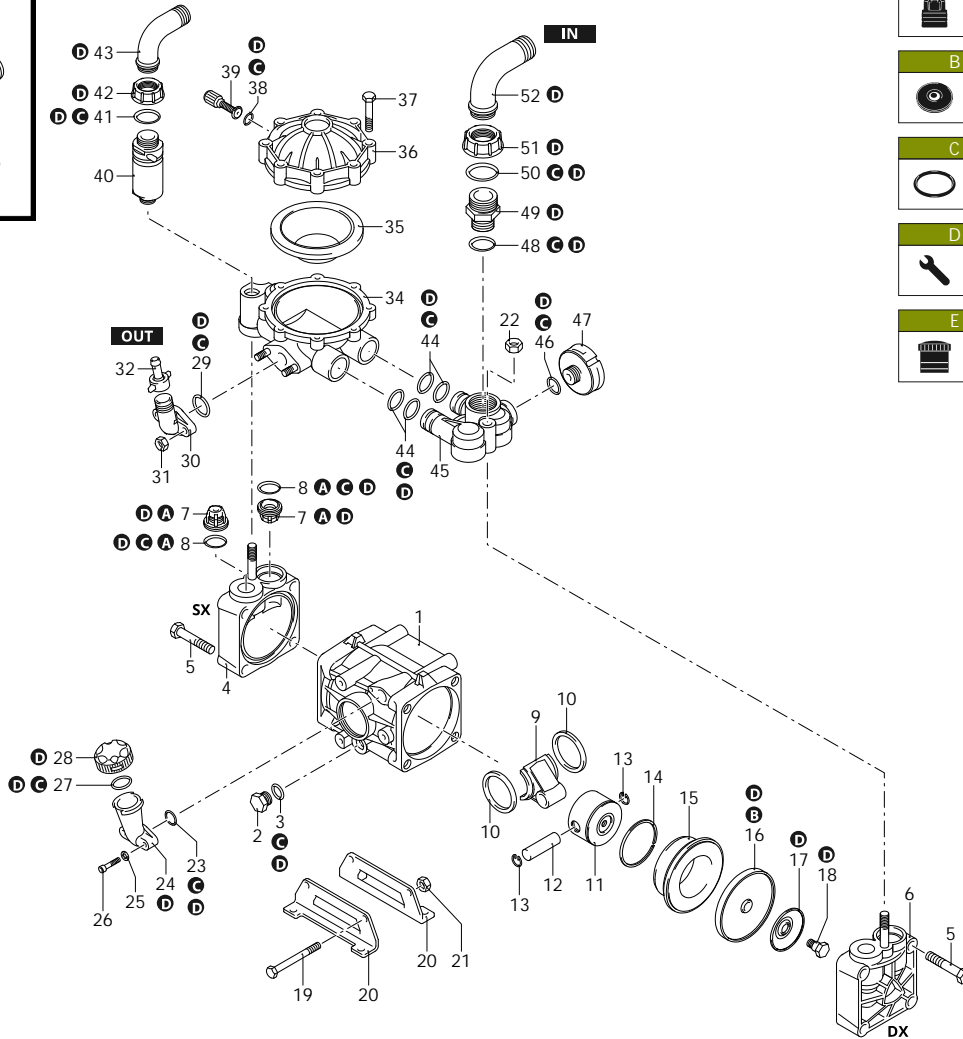
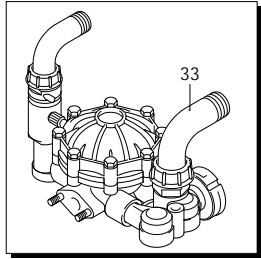




AR 40

31829



Code	Description	Q	Note
1	620011 Pump body	1	
2	880530 Plug	1	C=20Nm
3	740290 O-ring	1	Ø 14x1,78 Lubricate Molykote PG54
4	620102 Head	1	dx
5	621430 Screw	8	TE M12x55 C=50Nm
6	620101 Head	1	dx
7	629050 Valve	4	
8	620030 O-ring	4	Ø 25,80x3,53 Lubricate with motor oil
9	620140 Connecting-rod	2	Lubricate with motor oil
10	580470 Ring	4	Connecting-rod Lubricate with motor oil
11	620120 Piston	2	Ø 56
12	380300 Pin	2	Lubricate with Mineral Grease
13	380080 Ring	4	seeger Øi 14
14	160230 Piston ring	2	
15	622190 Sleeve	2	
16	620080 Diaphragm	2	NBR - Øe 96
16	620082 Diaphragm	2	BlueFlex - Øe 96
16	620085 Diaphragm	2	Desmopan - Øe 96
16	620081 Diaphragm	2	Viton - Øe 96
17	1040180 Plate	2	
18	580360 Hub pin	2	C=20Nm / Lubricate Molykote 1000
19	380210 Screw	2	TE M8x75 C=30Nm
20	380200 Foot	2	
21	380240 Nut	2	M8 C=10Nm
22	180150 Nut	2	M10 C=40Nm
23	180101 O-ring	1	Ø 17,5x2 Lubricate with motor oil
24	550030 Tank	1	
25	550331 Washer	2	
26	850850 Screw	2	TCEI M6x30 C=10Nm
27	550040 O-ring	1	Ø 26,65x2,62 Lubricate with motor oil
28	550052 Plug	1	black
29	550350 O-ring	1	Ø 23,81x2,62 Lubricate with Mineral Grease
30	450145 Flange	1	
31	390270 Nut	2	M8 C=10Nm
32	110130 Ring nut	1	1/2" G
33	1522 Air chamber	1	NBR
33	46716 Air chamber	1	BlueFlex
34	620180 Semi air chamber	1	lower
35	550190 Diaphragm	1	NBR - Øe 110
35	550194 Diaphragm	1	BlueFlex - Øe 110
35	550192 Diaphragm	1	Viton - Øe 110
35	550191 Diaphragm	1	Saturflon - Øe 110
36	620230 Semi air chamber	1	upper
37	621780 Screw	8	TE M8x40 C=10Nm / Lubricate Molykote 1000
38	650542 Gasket	1	Lubricate with motor oil
39	180020 Air valve	1	C=3Nm / Loxeal 55-14
40	1609001 Safety valve	1	40 bar C=10Nm / Loxeal 24-18
41	880831 O-ring	1	Ø 15,54x2,62 Viton Lubricate Molykote G-807

AR-2_000090_v01

AR 40 SP - BlueFlex • 31829



SAE 30
0,700 Kg

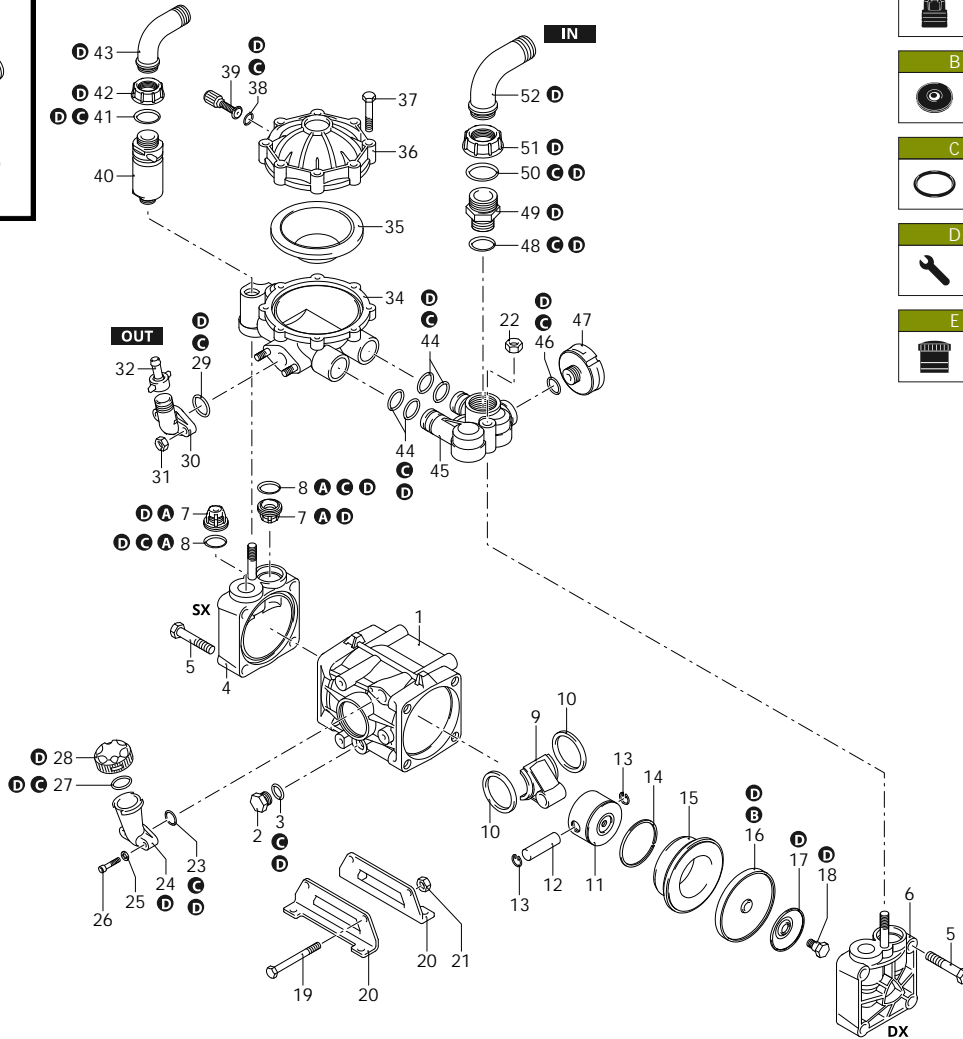
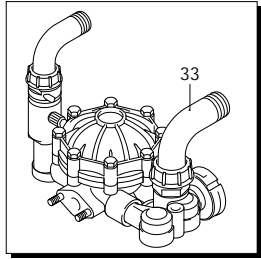
Revision: 1

Date: 04/10/2022



AR 40

31829



Code	Description		Q	Note
42	550450 Ring nut	3/4" G	1	
43	550460 Elbow	Ø 18	1	
44	390060 O-ring	Ø 20,63x2,62	4	
45	620150 Fitting		1	
46	180101 O-ring	Ø 17,5x2	1	Lubricate with motor oil
47	659213 Diaphragm		1	
48	390290 O-ring	Ø 29x3	1	Lubricate Molykote PG54
49	450120 Fitting	1" G - 1"1/4" G (M-M)	1	
50	550350 O-ring	Ø 23,81x2,62	1	Lubricate with Mineral Grease
51	550870 Ring nut	1"1/4 G	1	
52	580040 Elbow	Ø 30	1	
A	1917 Valve kit		1	
B	1930 Diaphragms kit	NBR	1	
B	43199 Diaphragms kit	BlueFlex	1	
B	42965 Diaphragms kit	Desmopan	1	
C	1916 O-ring kit		1	
D	1915 Maintenance repair kit	NBR	1	
E	47194 Tank kit		1	

AR-2_000090_v01

AR 40 SP - BlueFlex • 31829



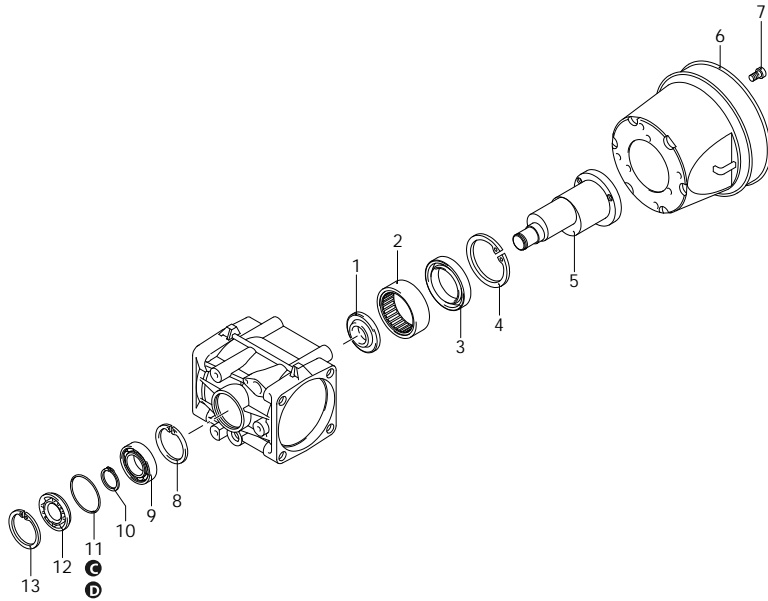
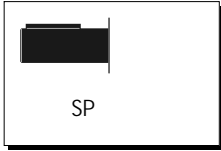
Revision: 1

Date: 04/10/2022



AR 40

31829



Code		Description	Q	Note
1	620160	Spacer	1	
2	550060	Bushing	1	Press Mount
3	620130	Ring	1	Lubricate with Mineral Grease
4	620330	Ring	1	seal
5	622200	Shaft	1	seeger Øi 65 FI marked
6	1500350	Cardan protection	1	ø 199 mm
7	820670	Screw	4	TCEI M10x16 C=10Nm
8	111120	Ring	1	seeger Øi 47
9	620191	Bearing	1	
10	620291	Ring	1	seeger Øe 20
11	620210	O-ring	1	Ø 40,95x2,62
12	620020	Cover	1	
13	111120	Ring	1	seeger Øi 47
A	1917	Valve kit	1	
B	1930	Diaphragms kit	1	NBR
B	43199	Diaphragms kit	1	BlueFlex
B	42965	Diaphragms kit	1	Desmopan
C	1916	O-ring kit	1	
D	1915	Maintenance repair kit	1	NBR

AR-2_000091_v01

AR 40 SP - BlueFlex • 31829



Revision: 1

Date: 04/10/2022