

Next Pole Pedestal



Mounting and installation products
Charging box mount
NEXT GREEN- NEXT POLE PEDESTAL

Model

E number:
27 006 07
S-No:
35 063 18

Name:
Next Pole Pedestal

Example image on the left with mounting plate for Zaptec Pro charging box and Next Green Daytona T2 cable holder.

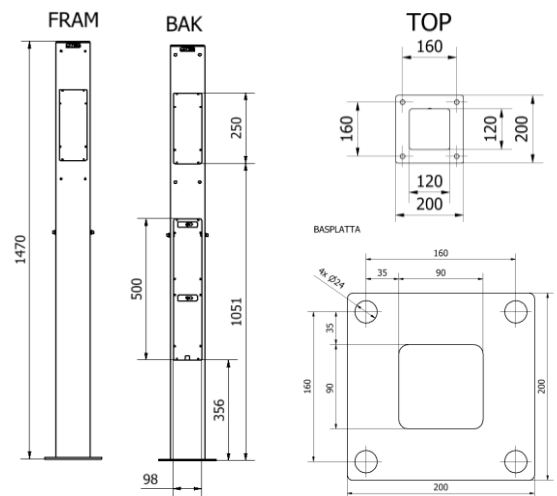


NEXT GREEN POLE FEATURES

- Square design pedestal 120*120 mm
- Laser-cut mounting plates for selected charging boxes. These are ordered under a separate order number. See the list below.
- For mounting on foundation with adapter plate
- For mounting on cast foundation
- Hole pattern for CC-160 mm baseplate
- Robust steel structure
- Large, inserted service hatch
- Powder-coated, can be supplied in different colours. Contact Next Green for more information

Technical specifications

Materials	Powder-coated 3 mm steel profile tube
Colour	Graphite grey
Dimensions	
Weight	17 kg
Height	1470 mm
Width	120 mm (baseplate 200 mm)
Depth	120 mm (baseplate 200 mm)
Dimensions (packaging)	
Weight	18 kg
Height	1510 mm
Width	200 mm
Depth	200 mm



MOUNTING PLATES ARE AVAILABLE FOR THE FOLLOWING CHARGING BOXES:

- | | |
|------------------------------------|-----------------|
| • ABB Terra AC | E-no 27 007 33 |
| • Charge Amps Aura | E-no: 27 006 53 |
| • Charge Amps Dawn | E-no: 27 006 54 |
| • DEFA Power | E-no: 27 006 55 |
| • Easee | E-no: 27 007 83 |
| • Garo Entity PRO | E-no: 27 006 56 |
| • Phasebox One | E-no: 27 006 57 |
| • Schneider EVlink | E-no: 27 006 58 |
| • Zaptec PRO | E-no: 27 006 59 |
| • Hatch cover without hole pattern | E-no: 27 006 60 |




Ordered under a separate E number. Two mounting plates are required. A hatch cover is required when fitting only one (1) EV-charger.

Next Green Pedestal Next Pole is a square-designed pedestal for charging boxes intended for ground mounting. Next Pole is intended for laying electrical cable inside the pedestal. Large service hatch for easy installation. Next Pole is made of steel and is powder-coated for highest quality. Next Pole is suitable for several charging box models and is supplemented with two mounting plates.


See the table on mounting plates above. One mounting plate per side is required. A hatch cover is required when fitting only 1 charge box. Next Pole is easy to assemble with plenty of space inside. Special mounting plates simplify assembly.


During installation, Next Pole is placed on ground foundations. Next Pole can be mounted on a traditional concrete or plastic foundation together with Next Green adapter plate GP60-160 Combo (E number 27 000 69) or Next Green adapter plate GP108-160 Combo (E number 27 006 87). Next Pole can also be equipped with DIN rails using accessories such as DIN mounting box (E number 27 006 61)

Accessories

E number	Name	
27 007 34	Next Pole Roof	
27 006 61	DIN mounting box	
24 803 56	Cable holder Daytona T2	

For ground assembly:

E number	Name	
27 000 69	Ground bracket GP60-160 Combo	
27 006 87	Ground bracket GP108-160 Combo	

27 000 71	GP60 foundation	
27 007 45	GP108 foundation	
27 006 84	Screw set M16	
	For installation of Ground Bracket GP60-160 Combo and Next Pole baseplate	

Next Pole Pedestal



Mounting and installation products
Charging box mount
NEXT GREEN- NEXT POLE PEDESTAL

Model

E number: 27 006 07
S-No: 35 063 18
Name: Next Pole Pedestal

Example image on the right with mounting plate for Zaptec Pro charging box and Next Green Daytona T2 cable holder.

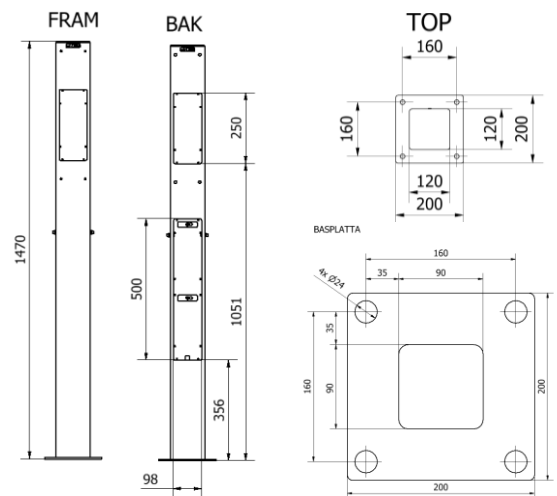


NEXT GREEN POLE FEATURES

- Square design pedestal 120*120 mm
- Laser-cut mounting plates for selected charging boxes. These are ordered under a separate order number. See the list below.
- For mounting on foundation with adapter plate
- For mounting on cast foundation
- Hole pattern for CC-160 mm baseplate
- Robust steel structure
- Large, recessed service hatch
- Powder-coated, can be supplied in different colours. Contact Next Green for more information

Technical specifications

Materials	Powder-coated 3 mm steel profile tube
Colour	Graphite grey
Dimensions	
Weight	17 kg
Height	1470 mm
Width	120 mm (baseplate 200 mm)
Depth	120 mm (baseplate 200 mm)
Dimensions (packaging)	
Weight	18 kg
Height	1510 mm
Width	200 mm
Depth	200 mm



MOUNTING PLATES ARE AVAILABLE FOR THE FOLLOWING CHARGING BOXES:

- | | |
|------------------------------------|-----------------|
| • Charge Amps Aura | S-no: 35 063 19 |
| • Charge Amps Dawn | S-no: 35 063 20 |
| • DEFA Power | S-no: 35 063 21 |
| • Garo Entity PRO | S-no: 35 063 22 |
| • Phasebox One | S-no: 35 063 23 |
| • Schneider EVlink | S-no: 35 063 24 |
| • Zaptec PRO | S-no: 35 063 25 |
| • Hatch cover without hole pattern | S-no: 35 063 26 |

Ordered under a separate E number. Two mounting plates are required. A hatch cover is required when fitting only one (1) EV-charger.

Next Green Pedestal Next Pole is a square-designed pedestal for charging boxes intended for ground mounting. Next Pole is intended for laying electrical cable inside the pedestal. Next Pole is made of steel and is powder-coated for highest quality. Next Pole is suitable for several charging box models and is supplemented with two mounting plates. See the table on mounting plates above. One mounting plate per side is required. A hatch cover is required when fitting only 1 charge box. Next Pole is easy to assemble with plenty of space inside. Special mounting plates simplify assembly. During installation, Next Pole is placed on ground foundations. Next Pole can be mounted on a traditional concrete or plastic foundation together with Next Green adapter plate GP60-160 Combo (E number 27 000 69) or Next Green adapter plate GP108-160 Combo (E number 27 006 87). Next Pole can also be equipped with DIN rails using accessories such as DIN mounting box (E number 27 006 61)

Accessories

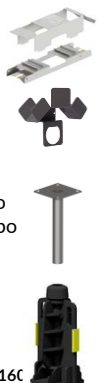
E number	Name
27 006 61	DIN mounting box
24 803 56	Cable holder Daytona T2

For ground assembly:

E number	Name
27 000 69	Ground bracket GP60-160 Combo
27 006 87	Ground bracket GP108-160 Combo

27 000 71	GP60 foundation
27 007 45	GP108 foundation

27 006 84	Screw set M16 For installation of Ground Bracket GP60-160 Combo and Next Pole baseplate
-----------	--



Next Green AB
Brudtallsvägen 14
SE-792 32 MORA

www.nextgreen.se
info@nextgreen.se
Tel: +46 250 50 39 90