

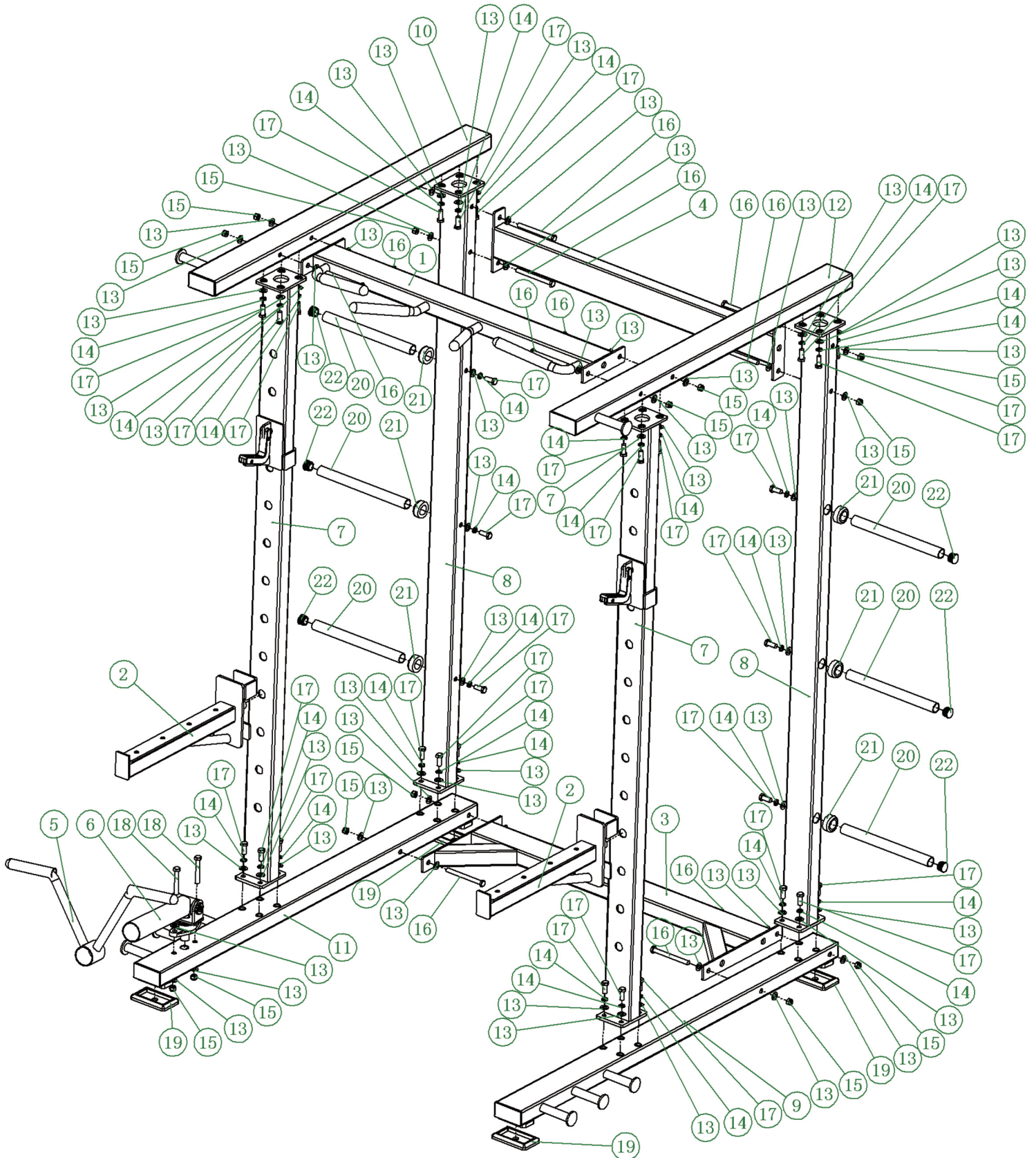


# MULTI-FUNCTION POWER BACK

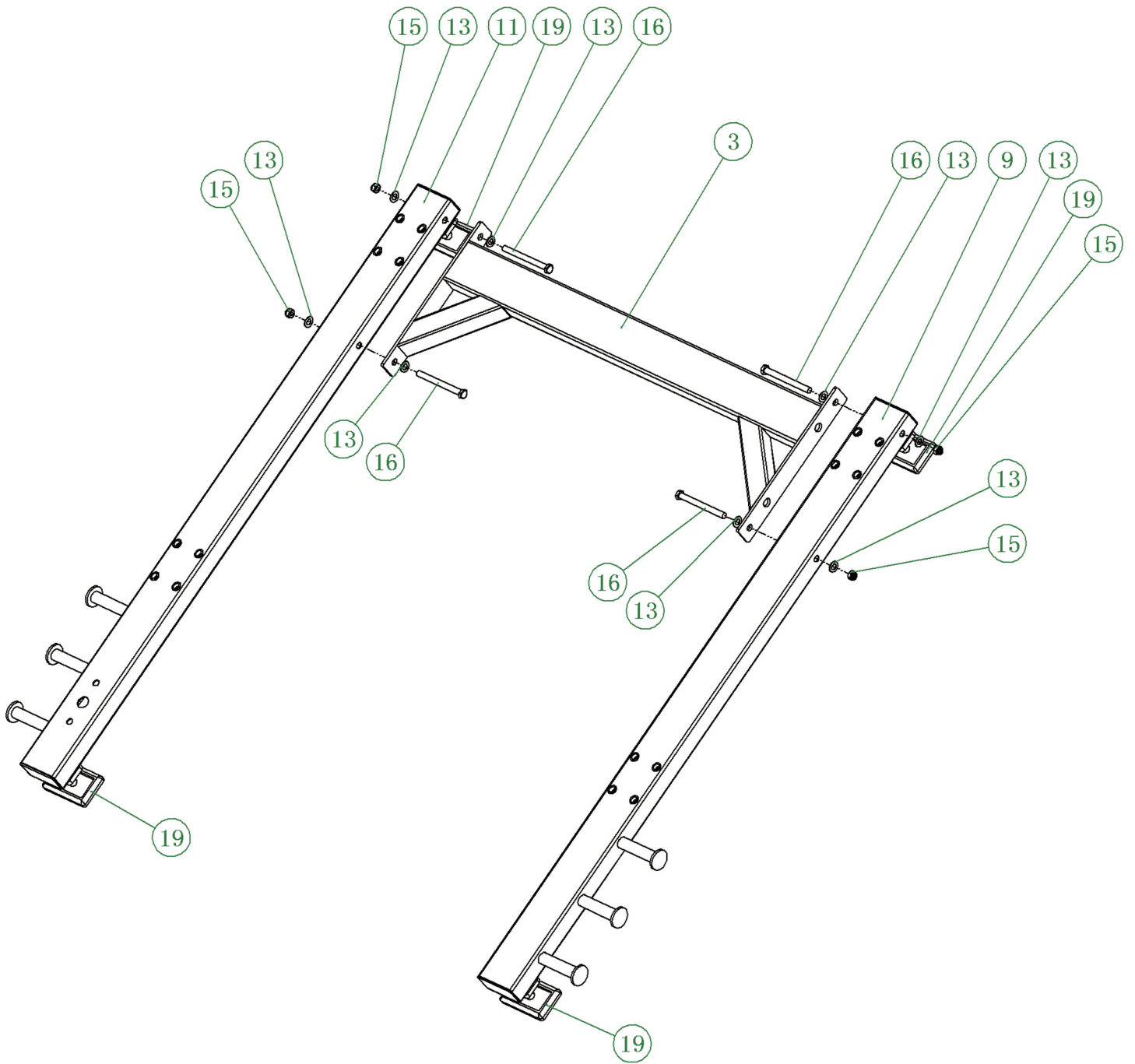
USER MANUAL



# ACCESSORIES LIST

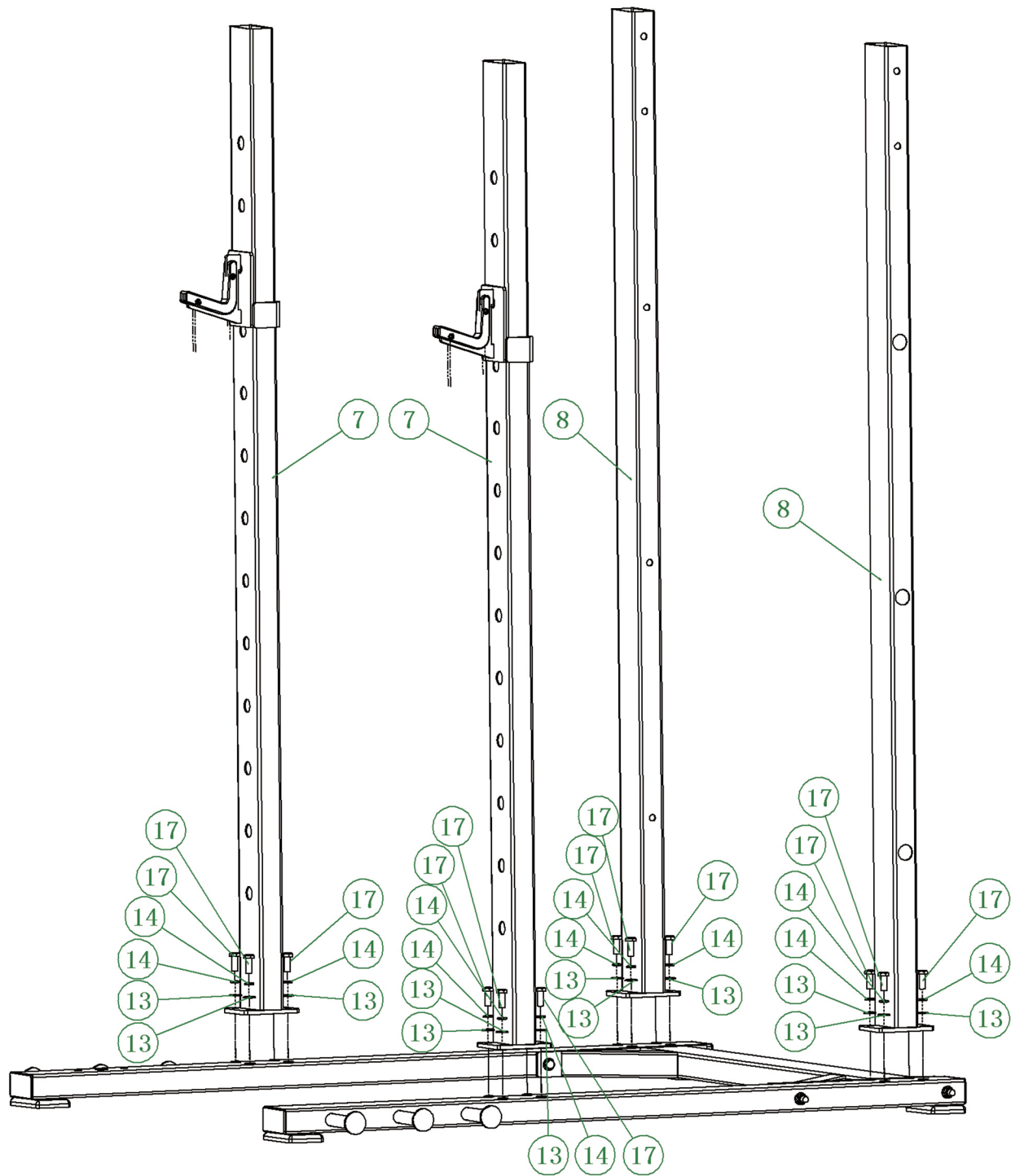


No	Part Item	Name	Specification	Quantity
1	20201215-0400	Upper connecting assembly	-----	1
2	1716B-0700	Storage bar	-----	2
3	1716-0200	Lower connecting assembly	-----	1
4	1716-0300	Upper connecting assembly	-----	1
5	CF2400	T-Bar	-----	1
6	CF0500C	Barrel	-----	1
7	20201215-0100	Front Column Combination	-----	2
8	20201215-0800	Rear Column Combination	-----	2
9	20201215-1100	Left Body Frame	-----	1
10	20201215-0900	Upper connecting assembly	-----	1
11	20201215-1000	Right Bottom Pipe assembly	-----	1
12	20201215-0900	Upper connecting assembly	-----	1
13	S5301	Flat gasket	T1.5*d13*D24	66
14	S5702	Spring washer	d12.5*D18*T2.5	38
15	S5203	Locknut	M12	14
16	S5108-06	Outer hexagon screw	M12*130	12
17	S5108-04	Outer hexagon screw	M12*30	38
18	S5108-05	Outer hexagon screw	M12*80	2
19	W7010	Foot mat	-----	4
20	G7011	Storage bar	D30 T2 L330	6
21	W7019	Cushion	D50 d30	6
22	W5024	Flat round corking	D30	6



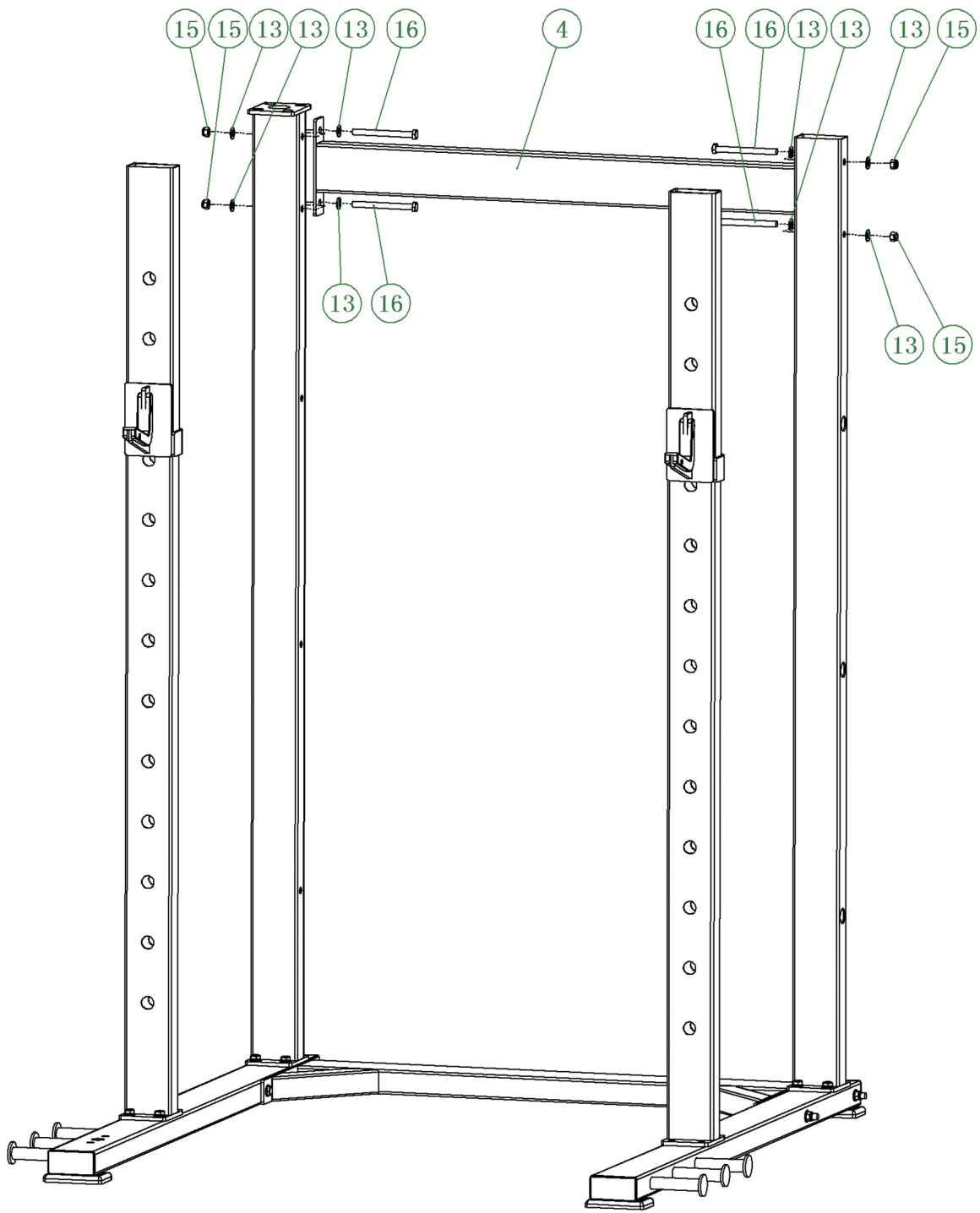
## STEP 1

Install 4 footpads. Connect the left and right bottom tube assembly and the bottom connection assembly.



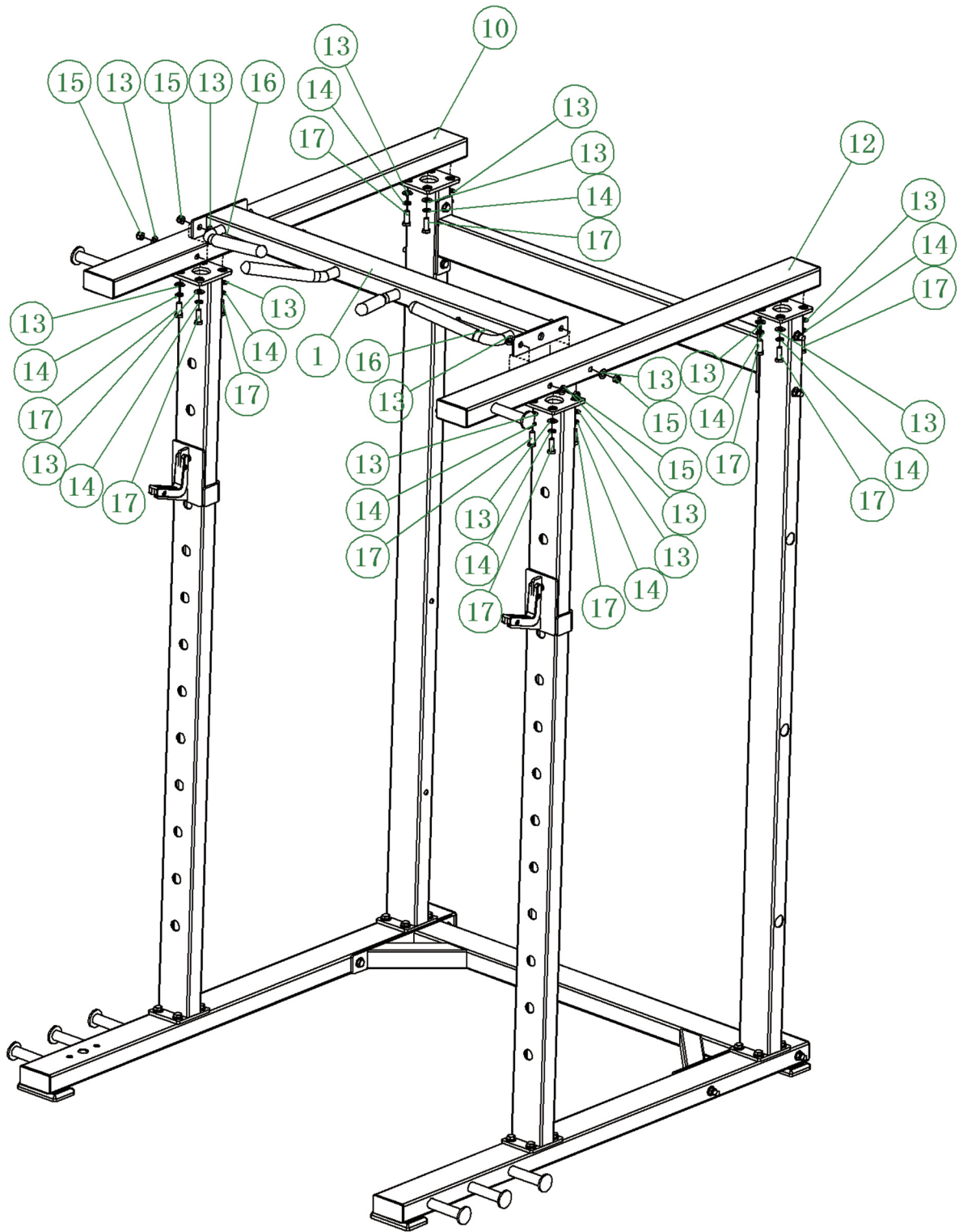
## STEP 2

the front and rear four column assemblies are installed on the left and right bottom tube assemblies.



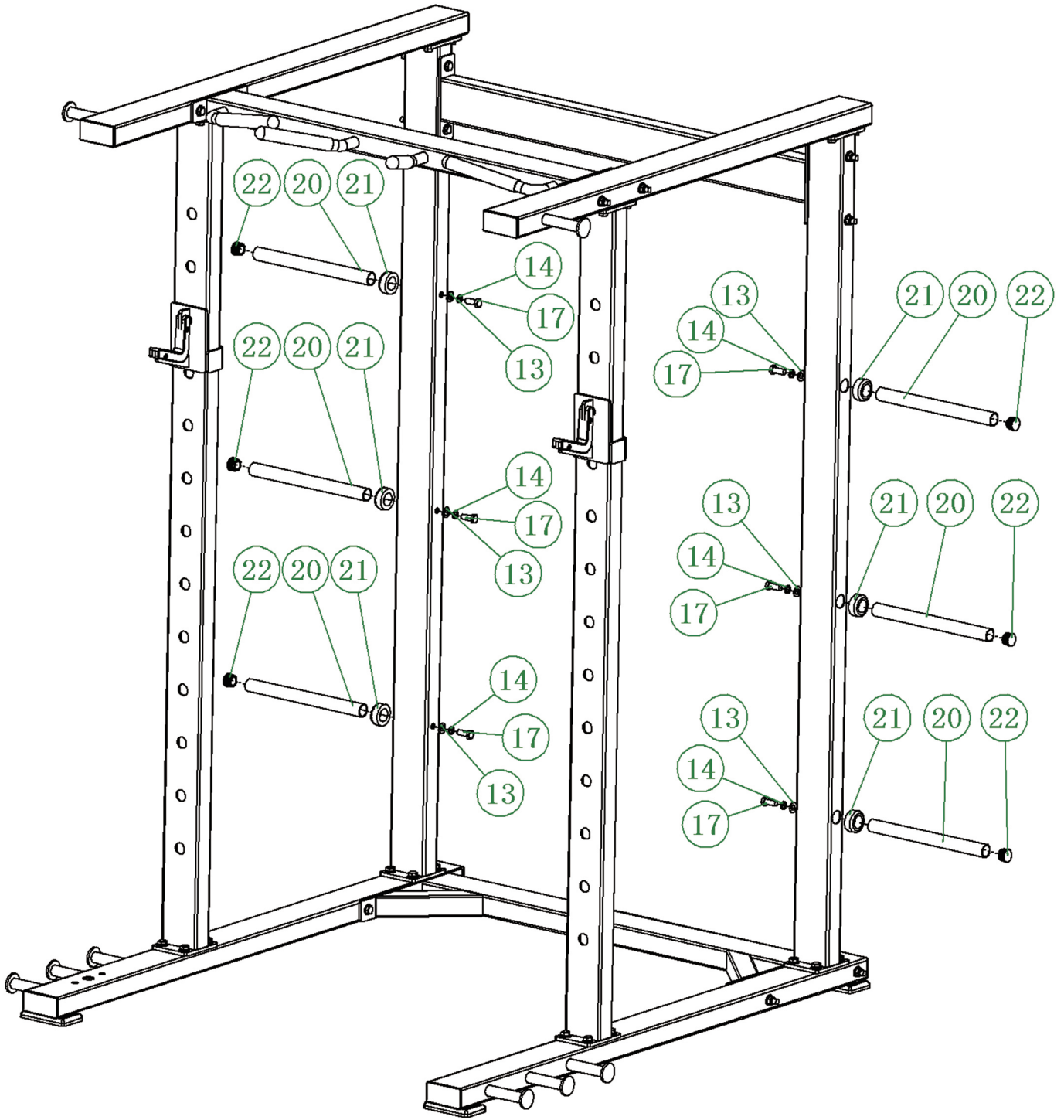
### STEP 3

the upper connecting tube assembly is mounted with the two rear post assemblies.



## STEP 4

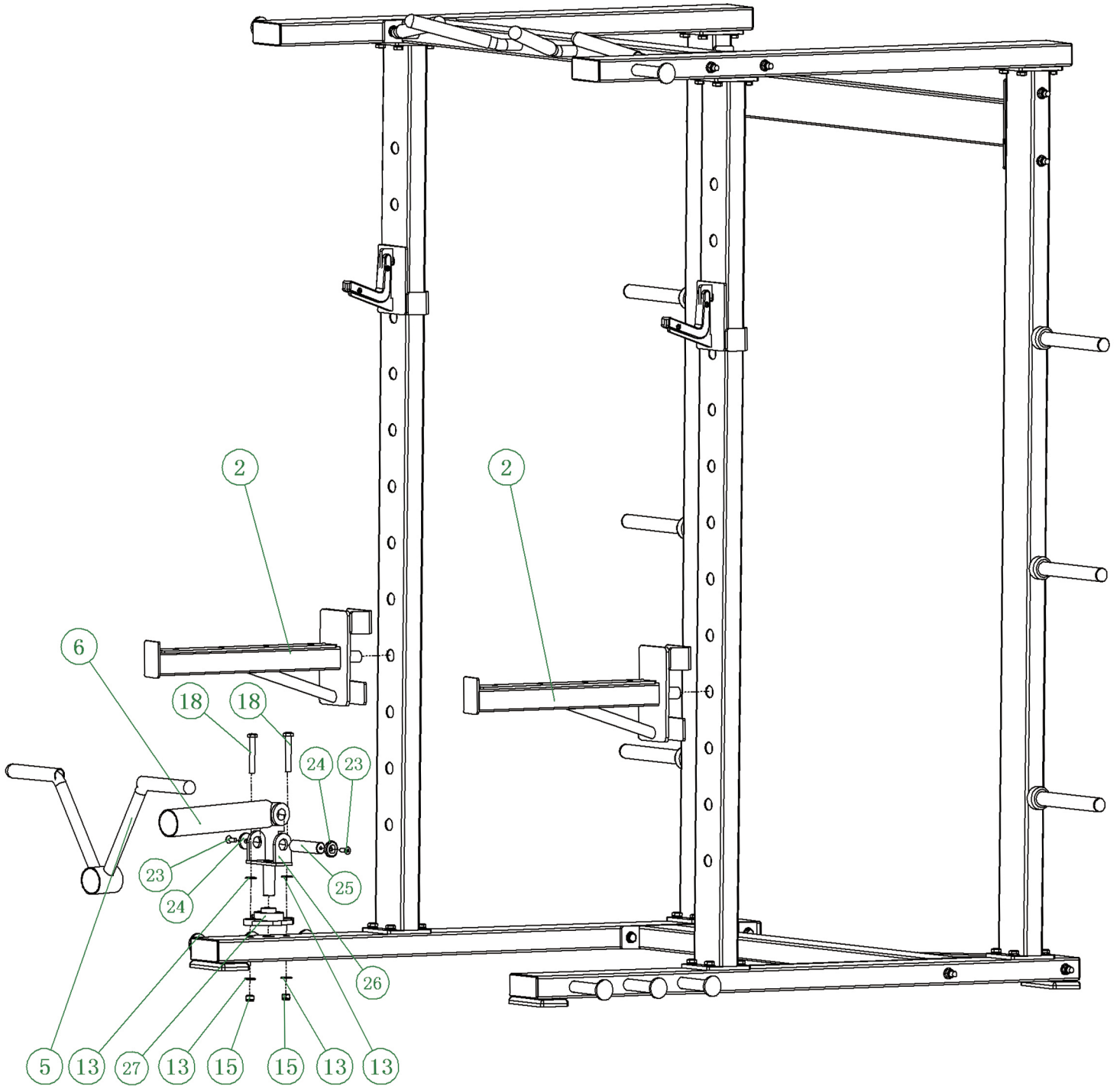
The two groups of upper connecting pipe assemblies (10,12) are connected with the upper connecting pipe handle assemblies (1) together. And mount on the front and rear four posts.



**STEP 5**

Install 6 storage bars in the rear combos.





## STEP 6

The left and right barbell storages are installed on front columns the both sides, and the barrel assembly is installed on the right bottom tube assembly. After installation, check whether the parts are installed and secured.