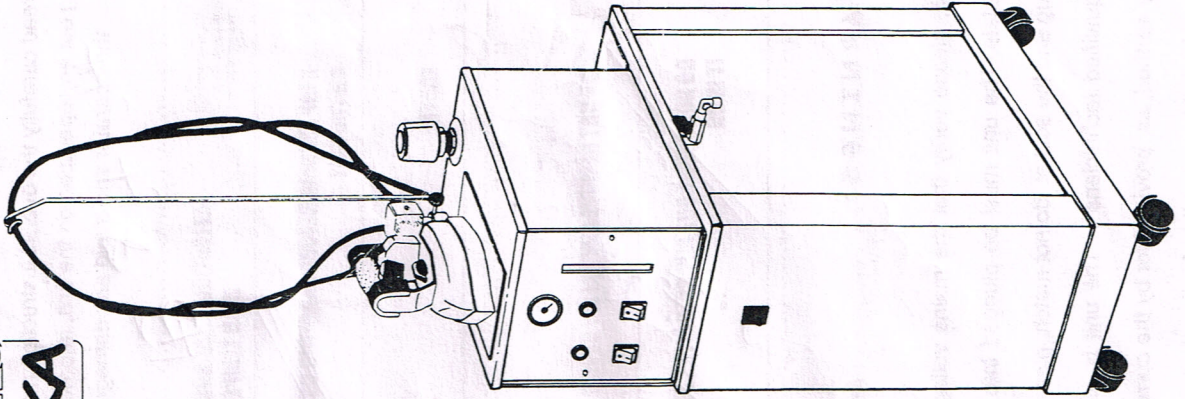


PLEASE READ CAREFULLY.....

meccanica
PRATIKA



SERVICE AND USE INSTRUCTION MANUAL

Data, descriptions and drawings in this manual are not binding.
The company reserves the right to make any change if necessary.

CO.M.E.L. SRL

COSTR. ELETTROMECCANICHE MACCHINE DA STIRO

61045 PERGOLA (PS) - ITALIA
VIA DELL'INDUSTRIA, 40
ZONA INDUSTRIALE SUD

TEL. 0721/735110 - 735111

FAX 0721/735114

P.O. Box 62 P.IVA 0045639 041 8

IN0252

cod. - A00641

MADE IN ITALY
Comel

HOW TO OPERATE THE UNIT :

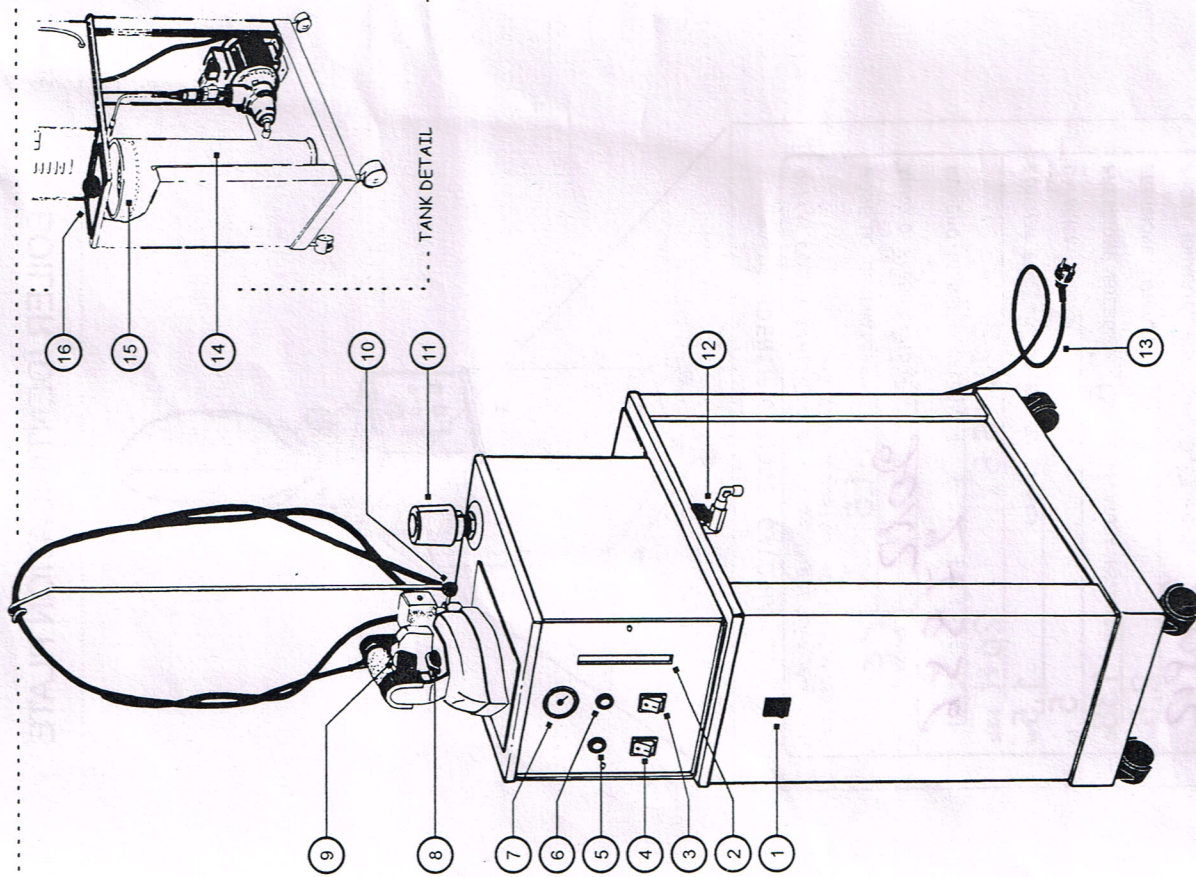
"This unit has been designed to iron any kind of fabric in a professional way by means of a steady steam system"

INSTRUCTIONS

- a) Unscrew the filling top (11) and fill the boiler with standard water. Screw the top again mildly. As an alternative, fill the tank (14) and press the pump switch(1).
- b) Connect the plug (13) to a 220 V, earthed power point.
- c) Press the boiler on/off switch (3) to have the boiler come on, press the iron on/off switch (4) to have the iron come on.
- d) Adjust the iron thermostat (8) between linen and cotton position (linen position is recommended when dry steam is needed, whereas cotton position is when damp steam is needed).
- e) Before any ironing, please wait for the steam warning light (6) to belt. Should this warning light go off while you iron, please go on with your work, the warning light will come on automatically as soon as the steam has been available again.
- f) Press the iron micro switch (red push-button) (9) to have steam coming out from the iron.
- g) Use the steam control (10) to adjust the steam coming out from the iron.

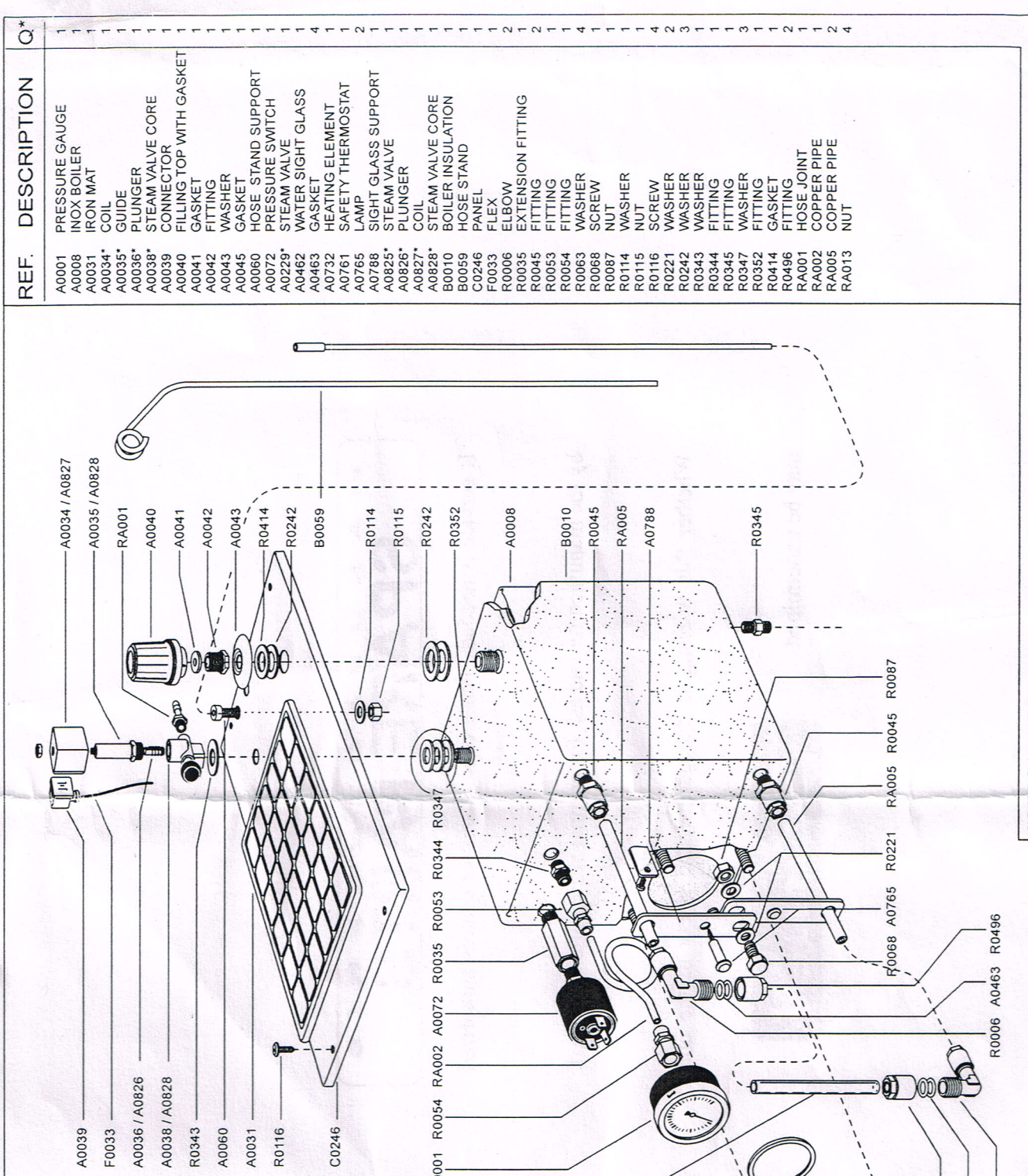
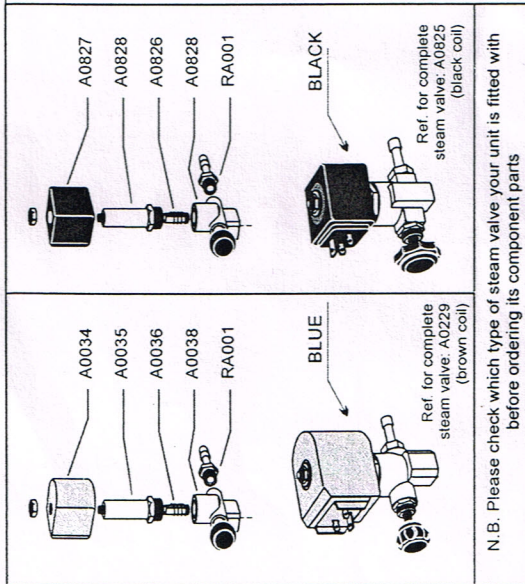
WARNINGS AND SUGGESTIONS

- Never overfill the boiler.
- Never unscrew the filling top (11) as long as the boiler is under pressure.
- Before un screwing the filling top (11) or drain the boiler by means of the drain tap (12), make sure that no steam is still inside the boiler.
- Never leave the boiler unattended for long when it is connected.
- When the steam is definitely over, disconnected the unit from the power point. Please wait for 20 minutes and then unscrew the filling top (11) very carefully. Refill the boiler and repeat the above instructions.



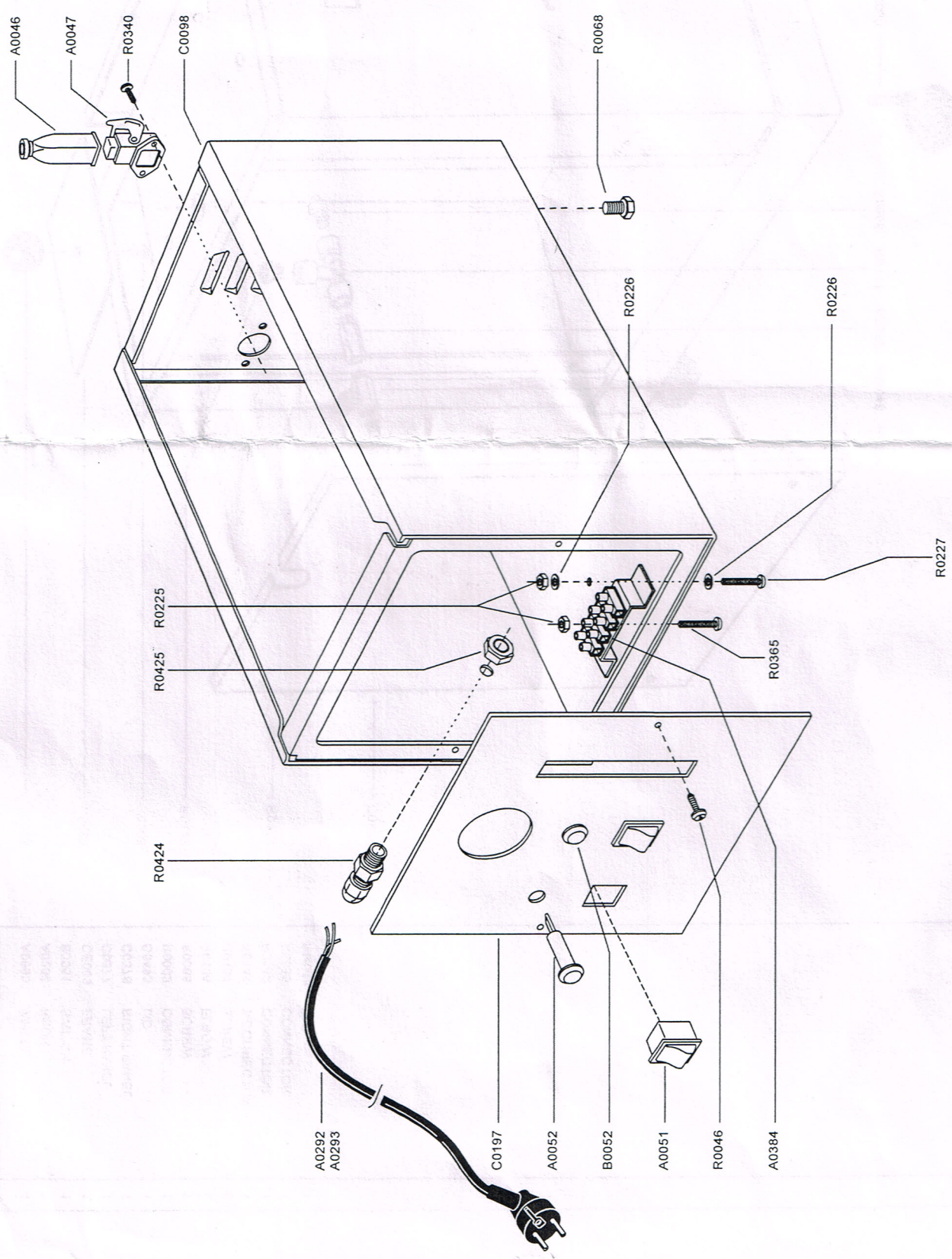
REFERENCES.

- | | |
|------------------------|-----------------------|
| 1_PUMP SWITCH | 6_STEAM WARNING LIGHT |
| 2_WATER SIGHT GLASS | 7_PRESSURE GAUGE |
| 3_BOILER ON/OFF SWITCH | 8_IRON THERMOSTAT |
| 4_IRON ON/OFF SWITCH | 9_IRON MICRO SWITCH |
| 5_WATER WARNING LIGHT | 10_STEAM CONTROL |
| | 11_FILLING TOP |
| | 12_BOILER DRAIN TAP |
| | 13_FLEX |
| | 14_WATER TANK |
| | 15_TANK FILTER |
| | 16_TANK LID |



REF.	DESCRIPTION	Q*
A0001	PRESSURE GAUGE	1
A0008	INOX BOILER	1
A0031	IRON MAT	1
A0034*	COIL	1
A0035*	GUIDE	1
A0036*	PLUNGER	1
A0038*	STEAM VALVE CORE	1
A0039	CONNECTOR	1
A0040	FILLING TOP WITH GASKET	1
A0041	GASKET	1
A0042	FITTING	1
A0043	WASHER	1
A0045	GASKET	1
A0060	HOSE STAND SUPPORT	1
A0072	PRESSURE SWITCH	1
A0229*	STEAM VALVE	1
A0462	WATER SIGHT GLASS	1
A0463	GASKET	4
A0732	HEATING ELEMENT	1
A0761	SAFETY THERMOSTAT	1
A0765	LAMP	2
A0788	SIGHT GLASS SUPPORT	1
A0825*	STEAM VALVE	1
A0826*	PLUNGER	1
A0827*	COIL	1
A0828*	STEAM VALVE CORE	1
B0010	BOILER INSULATION	1
B0059	HOSE STAND	1
C0246	PANEL	1
F0033	FLEX	1
R0006	ELBOW	2
R0035	EXTENSION FITTING	1
R0045	FITTING	2
R0053	FITTING	1
R0054	FITTING	1
R0063	WASHER	4
R0068	SCREW	1
R0087	NUT	1
R0114	WASHER	1
R0115	NUT	1
R0116	SCREW	1
R0221	WASHER	4
R0242	WASHER	2
R0343	WASHER	3
R0344	WASHER	1
R0345	FITTING	1
R0347	WASHER	3
R0352	FITTING	1
R0414	GASKET	1
R0496	FITTING	2
RA001	HOSE JOINT	1
RA002	COPPER PIPE	1
RA005	COPPER PIPE	2
RA013	NUT	4

REF.	DESCRIPTION Q*
A0046	PLUG
A0047	SOCKET
A0051	ON/OFF SWITCH
A0052	RED WARNING LIGHT
A0292	FLEX WITH SCHUKO PLUG
A0293	FLEX WITH ITALIAN PLUG
A0384	JUNCTION BOX
B0052	GREEN WARNING LIGHT
C0098	CASE
C0197	SWITCHBOARD
R0046	SCREW
R0068	SCREW
R0225	NUT
R0226	WASHER
R0227	SCREW
R0340	SCREW
R0365	SCREW
R0424	FLEX TIGHTENING RING
R0425	NUT FOR FLEX TIGHTENING RING
	1



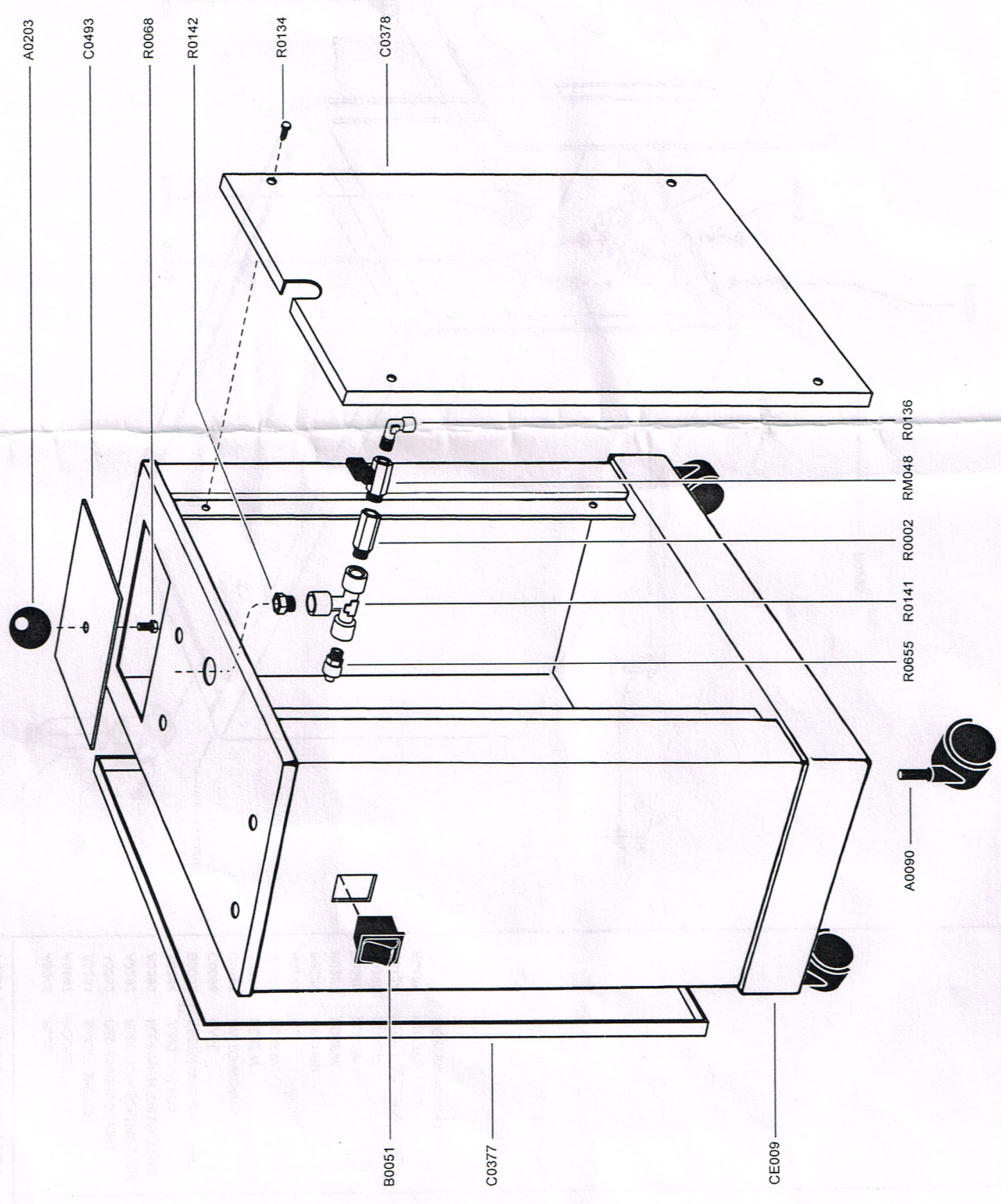
*PIECES PER UNIT (IN THIS VIEW)	
COMPLETE PRATIKA (STANDARD VERSION)	10/10/2008
TYPE	LAST CHANGE DATE
	VIEW REF.

CASE DETAILED VIEW
DESCRIPTION

Comelica I C A M B I

N.B. The above view is intended as a pure indication. It serves to show all the component parts of the unit to make any service easier.

REF.	DESCRIPTION	Q*
A0090	WHEEL	4
A0203	KNOB	1
B0051	SWITCH	1
CE009	FRAME	1
C0377	LEFT PANEL	1
C0378	RIGHT PANEL	1
C0493	LID	1
R0002	CONNECTOR	1
R0068	SCREW	1
R0136	ELBOW	1
R0134	SCREW	8
R0141	T-CONNECTOR	1
R0142	CONNECTOR	1
R0655	CONNECTOR	1
RM048	TAP	1

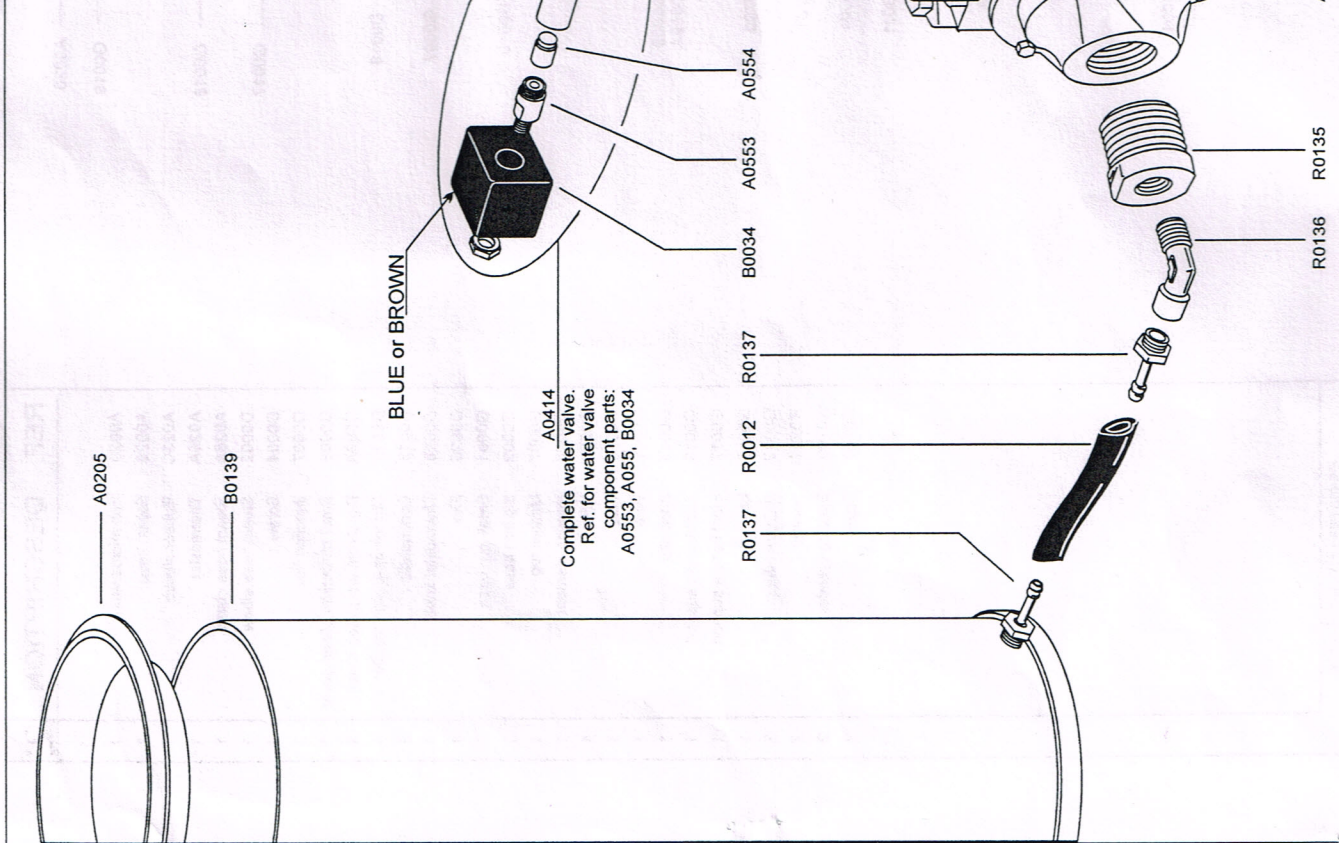
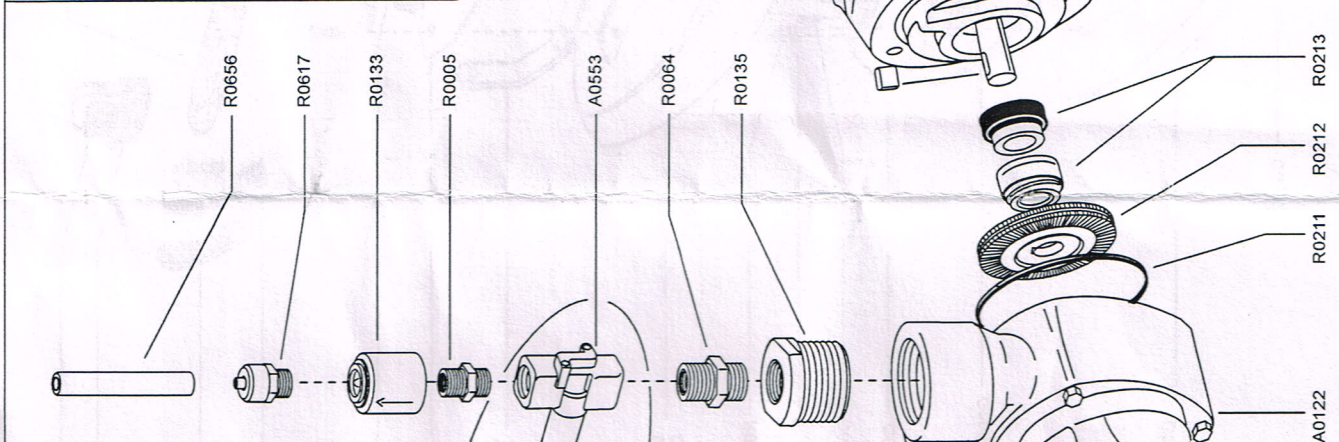
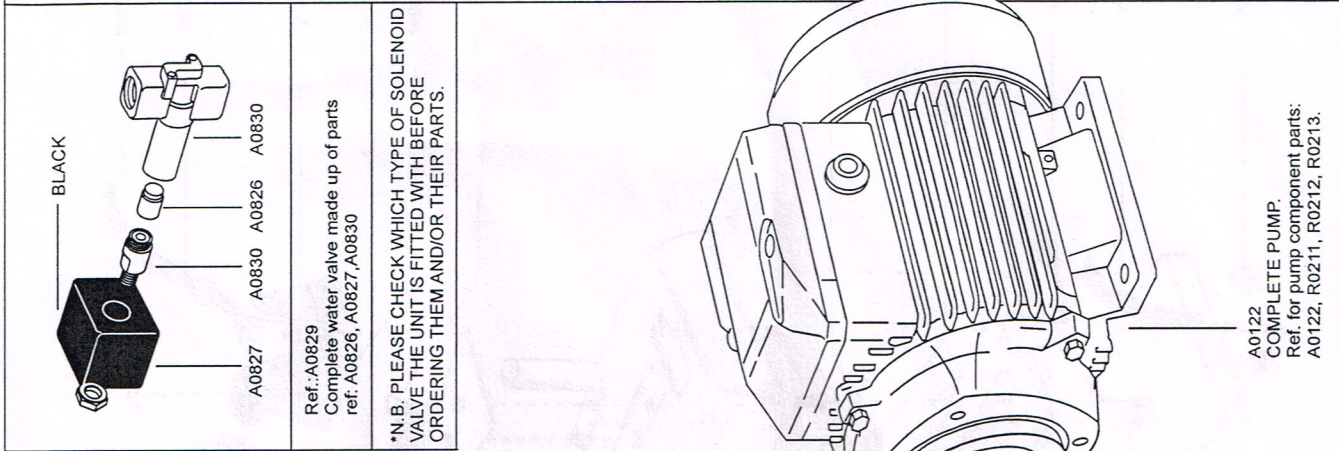


*PIECES PER UNIT (IN THIS VIEW)

PRATIKA TROLLEY		PRATIKA	18/06/2003	ITAV-0817
DESCRIPTION		TYPE	LAST CHANGE DATE	VIEW REF.
CORRETRICAMBI				

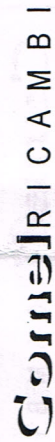
N.B. The above view is intended as a pure indication. It serves to show all the component parts of the unit to make any service easier.

REF.	DESCRIPTION	Q**
A0122	COMPLETE PUMP	1
A0205	FILTER	1
A0414*	COMPLETE WATER VALVE	1
A0553*	WATER VALVE CORE	1
A0554*	PLUNGER	1
A0826*	PLUNGER	1
A0827*	COIL	1
A0829*	COMPLETE WATER VALVE	1
A0830*	WATER VALVE CORE	1
B0034*	COIL	1
B0139	TANK	1
R0005	CONNECTOR	1
R0012	RUBBER PIPE	1
R0064	CONNECTOR	1
R0133	NO-RETURN VALVE	1
R0135	BRASS CONNECTOR	2
R0136	ELBOW	1
R0137	NIPPLE	1
R0211	O-RING	2
R0212	IMPELLER	1
R0213	SEALING KIT	1
R0617	CONNECTOR	1
R0656	TEFLON PIPE	1



UNIT	DESCRIPTION	LAST CHANGE DATE	VIEW REF.
COMPLETE PRATIKA (STANDARD VERSION)	WATER PUMP	30/11/2009	ITAV-0818B

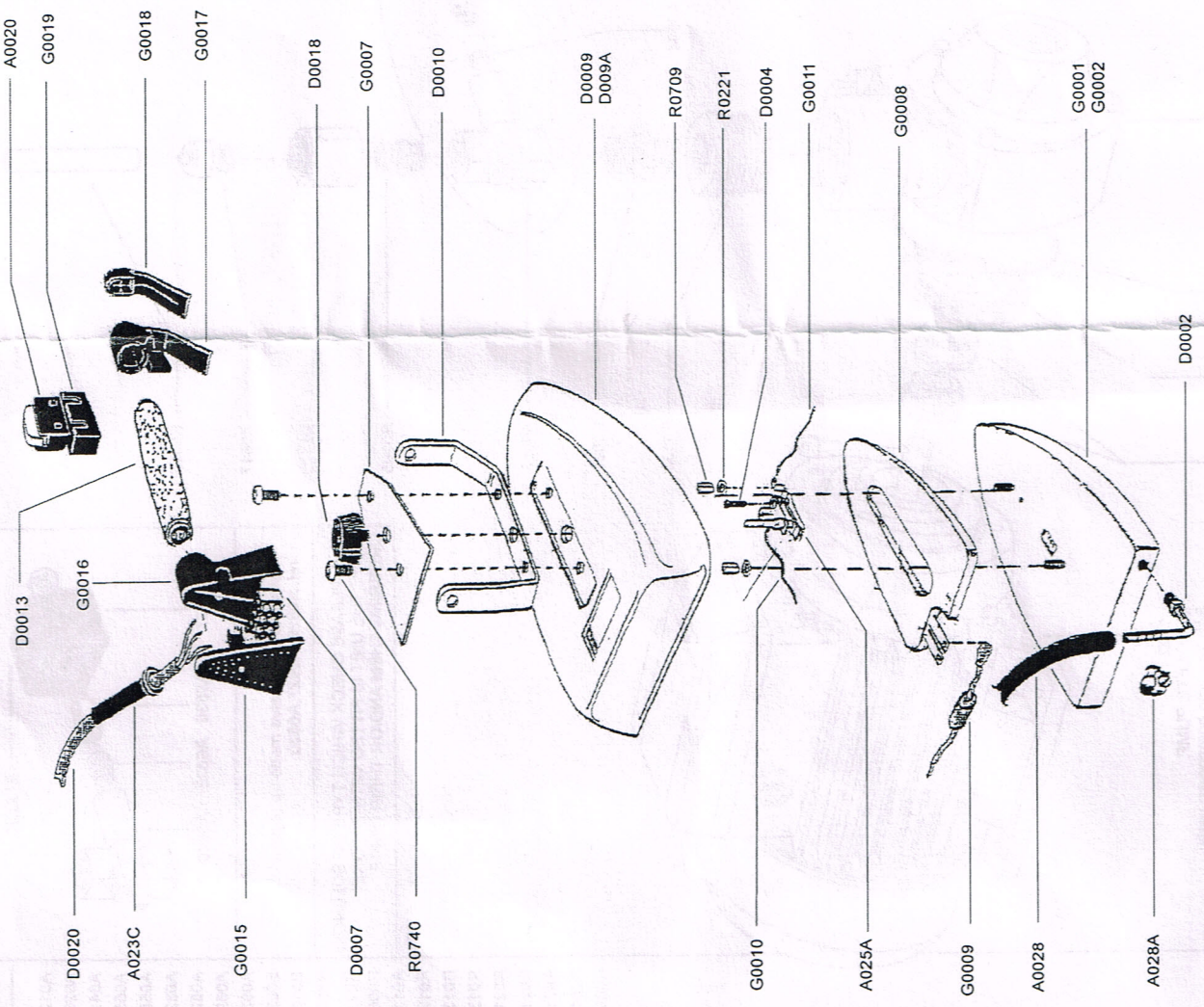
N.B. The above view is intended as a pure indication. It serves to show all the component parts of the unit to make any service easier.



*PIECES PER UNIT (IN THIS VIEW)

REF.	DESCRIPTION	Q*
A0020	Iron microswitch	1
A0028	Steam hose	1
A023C	Rubber sleeve	1
A025A	Thermostat	1
A028A	Steam hose clamp	1
D0002	Steam hose elbow	1
D0004	Screw	2
D0007	Junction box	1
D0009	Small chromium-plated cover	1
D009A	Big chromium-plated cover	1
D0010	Chromium-plated handle	1
D0013	Cork handle	1
D0018	Thermostat knob	1
D0020	Flex	1
G0001	Small iron base	1
G0002	Big iron base	1
G0007	Marked lag	1
G0008	Heating element	1
G0009	Wire	1
G0010	Wire	1
G0011	Wire	1
G0015	Back cap	1
G0016	Back handle support	1
G0017	Front handle support	1
G0018	Front cap	1
G0019	Microswitch holder	1
R0221	Washer	2
R0709	Spacing cylinder	2
R0740	Screw	2

PIECES PER UNIT (IN THIS VIEW)



N.B. The above view is a pure indication. It serves to show all the component parts of the unit to make any service easier.

Coronel I C A M B I

721 PAB MG - GAB MG IRON
DESCRIPTION

COMPONENT PARTS
TYPE

28/03/2008
LAST CHANGE DATE

IFER-0021
VIEW REF.