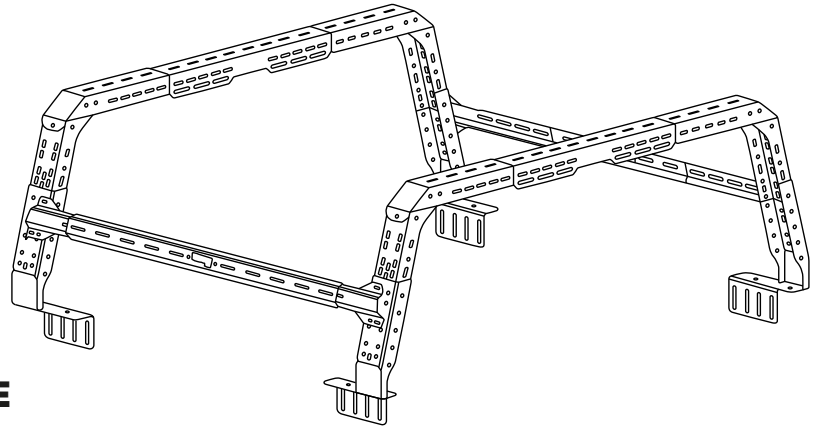


INSTALLATION GUIDE



SHIPROCK HEIGHT ADJUSTABLE BED RACK

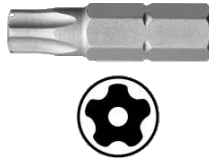
REQUIRED TOOLS

INSTALLATION TIME **20 min.**

WRENCH 13



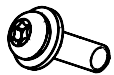
TORX 40



TORQUE WRENCH



HARDWARE



X

SCREWS TORX

M8X25 x36



Y

FLAT WASHER

M8 x36



Z

NUT

M8 x36



SCREW

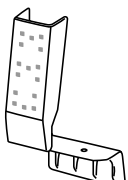
M8X35 x8



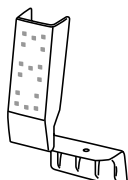
SCREW

M8X25 x8

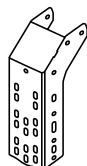
EXPLODED DETAIL



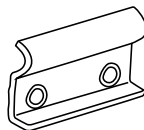
REAR BASES



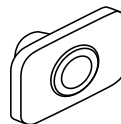
FRONT BASES



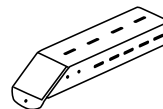
ELBOWS



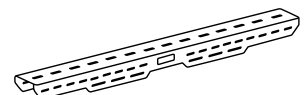
STANDARD CLAMP



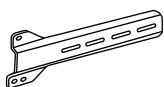
CHANNEL NUT FOR IN-BED RAIL



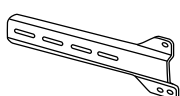
UPPER CORNERS



MAIN CROSS BARS



FRONT SIDEBAR ARM



REAR SIDEBAR ARM



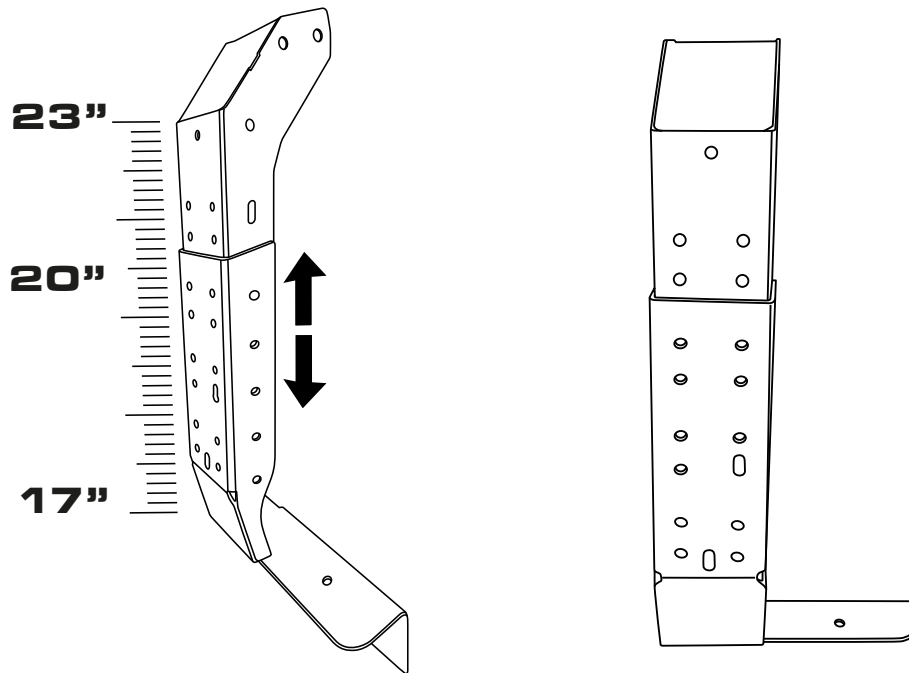
MAIN SIDEBAR



THANK YOU FOR TRUSTING OUR BRAND!

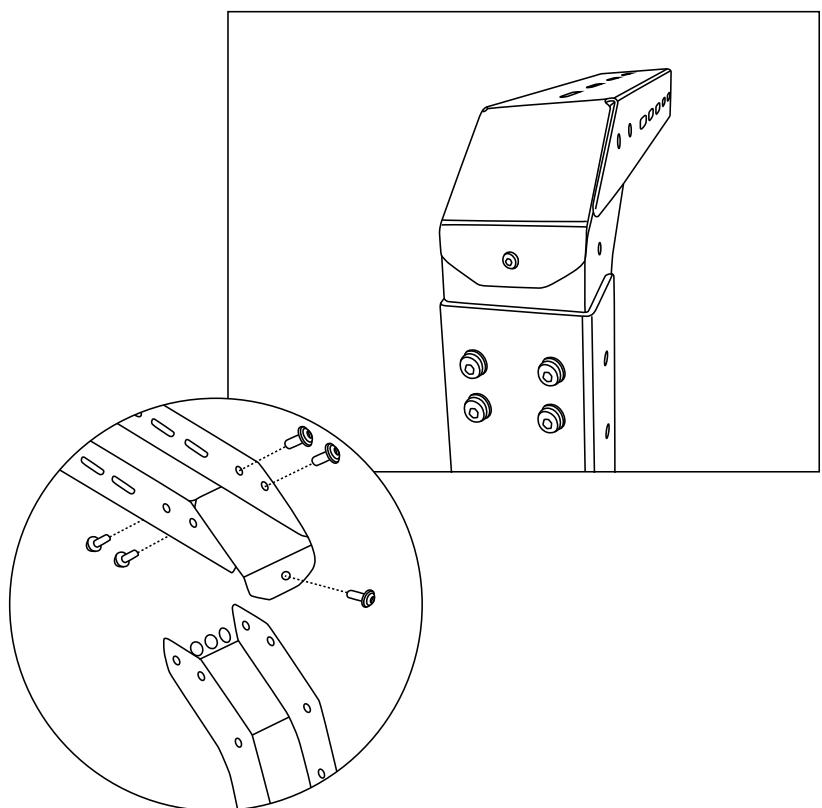
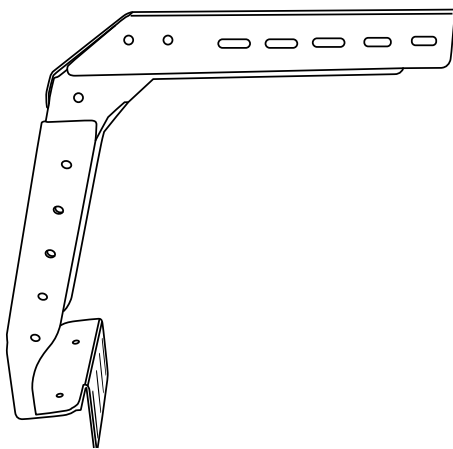
**ASSEMBLE FRONT AND REAR BASES
AND ELBOWS CHOOSING YOUR
PREFERRED HEIGHT SETTING**

STEP 1



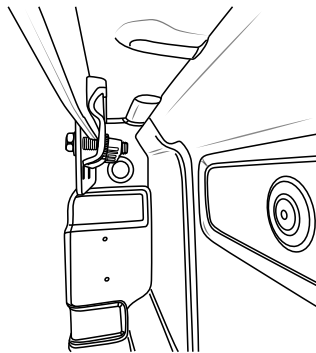
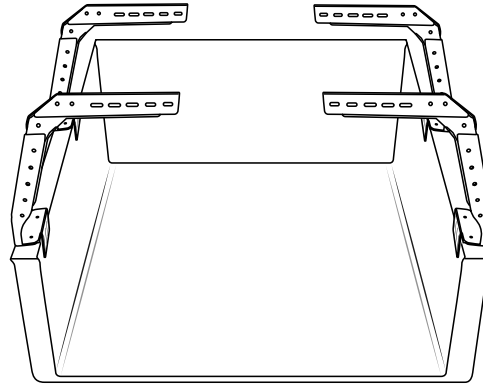
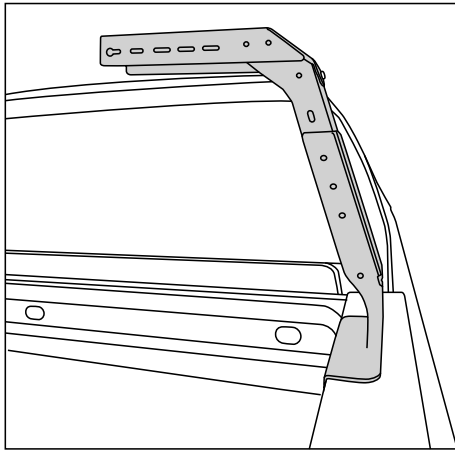
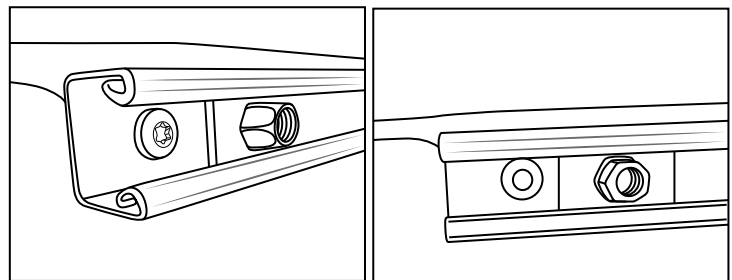
STEP 2

**CONNECT THE UPPER CORNERS TO EACH
OF THE FOUR MOUNTING ARMS
ASSEMBLED ON STEP 1.**

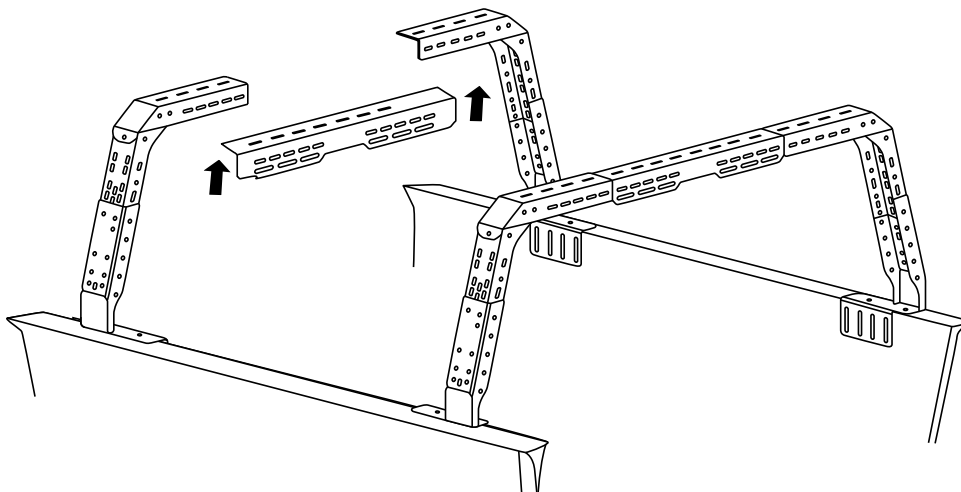


STEP 3

PLACE YOUR FRONT AND REAR MOUNTING ARMS ASSEMBLED ON STEP 2 ON THE BED OF YOUR TRUCK AT YOUR DESIRED LENGTH AND ATTACH THEM TO YOUR TRUCK WITH THE STANDARD MOUNTING CLAMPS OR IN-BED CHANNEL NUTS TO KEEP THEM IN PLACE.

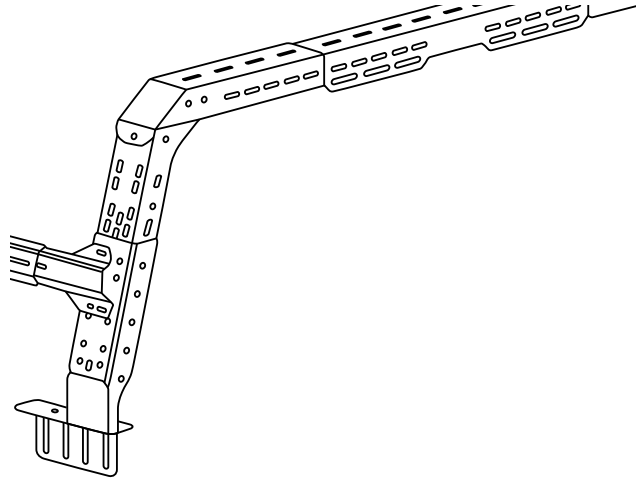
**STANDARD CLAMPS****IN-BED CHANNEL NUT****STEP 3**

PLACE AND ATTACH FRONT AND REAR MAIN CROSS BARS, MAKE SURE THEY ARE ALIGNED AND CENTERED.

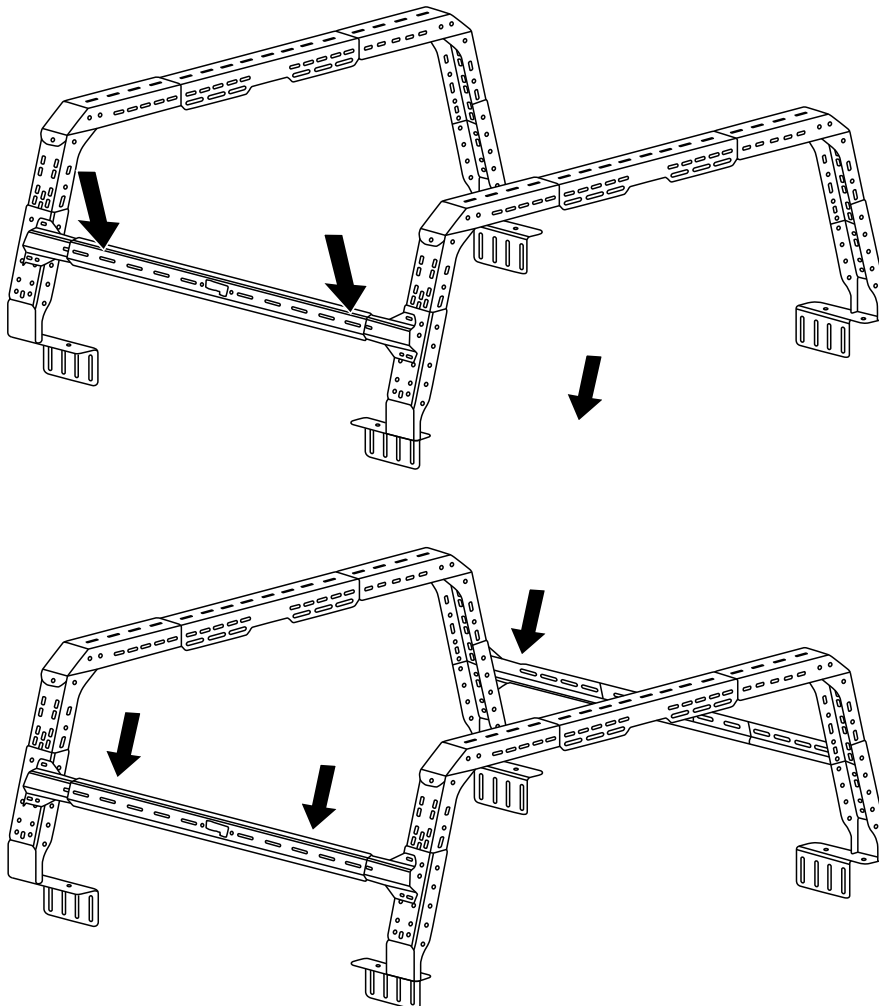


STEP 4

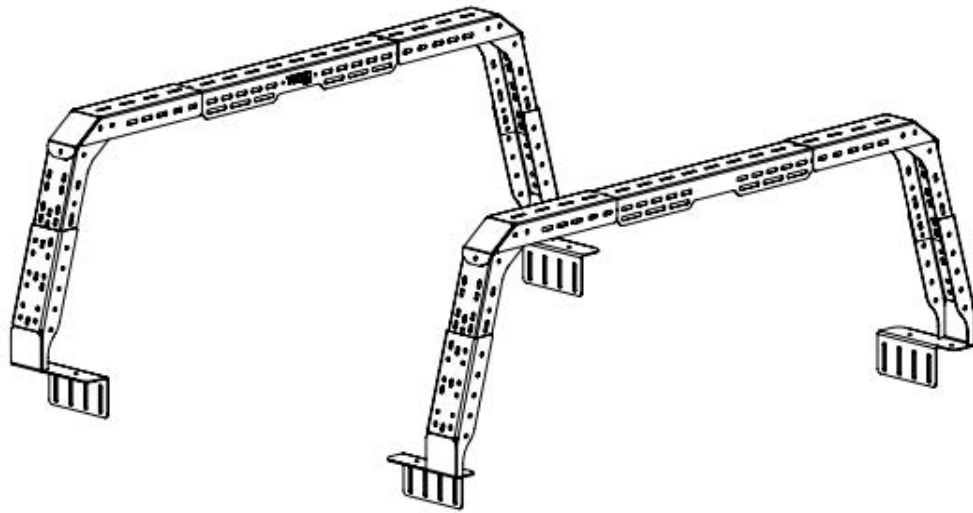
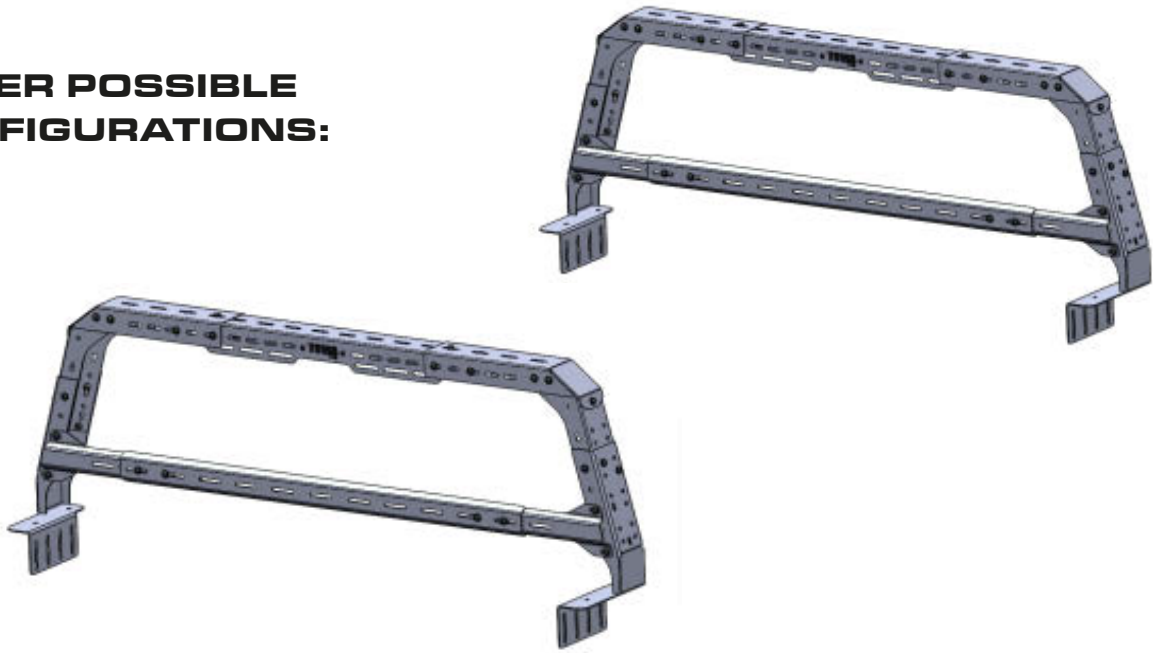
**PLACE THE FRONT AND REAR SIDEBAR
ARMS AT YOUR DESIRED HEIGHT.
(DO ONE SIDE AT THE TIME)**

**STEP 5**

**CONNECT MAIN SIDEBAR TO FRONT AND
REAR SIDEBAR ARMS ON EACH SIDE.
(DO ONE SIDE AT THE TIME)**



OTHER POSSIBLE CONFIGURATIONS:



**BY ADDING
THE 4CX ROOF BARS**