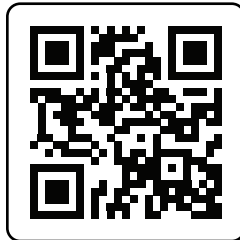


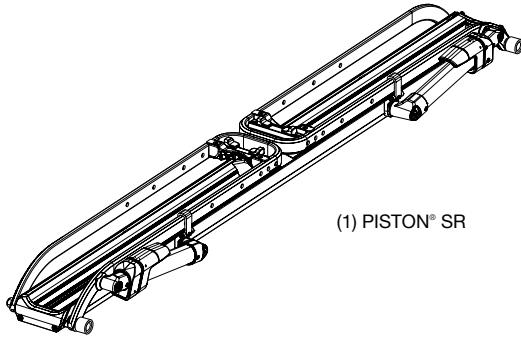
# PISTON<sup>®</sup> SR

HITCH RACK

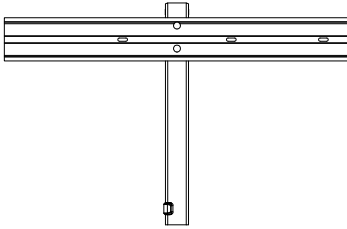


ASSEMBLY VIDEO

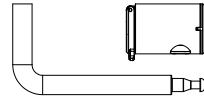
# Parts



(1) PISTON® SR



(1) PISTON® SR 2" Hitch Adapter



(1) Hitch Pin & (1) Lock Cylinder



(4) T-Channel Nut



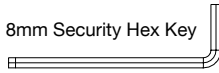
(4) M6 Washer



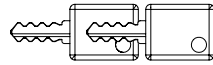
(4) M6 x 16mm Socket Head Screw

# Tools

8mm Security Hex Key



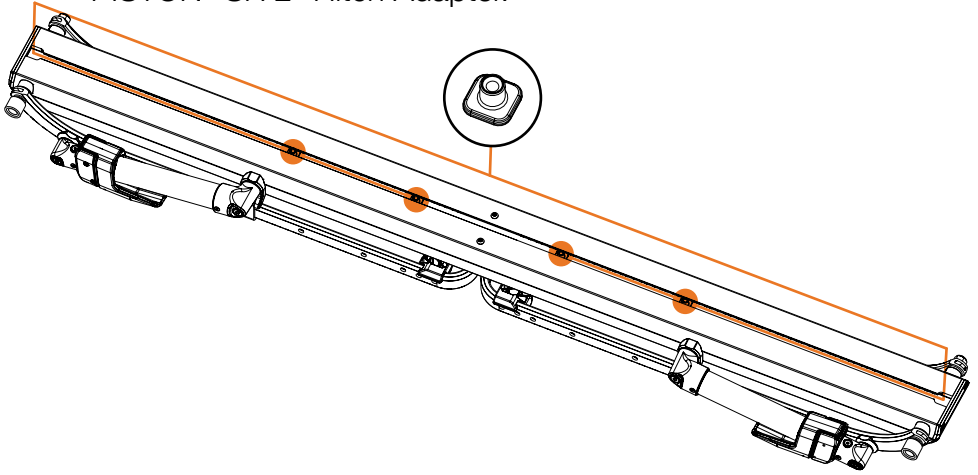
4mm Security Hex Key



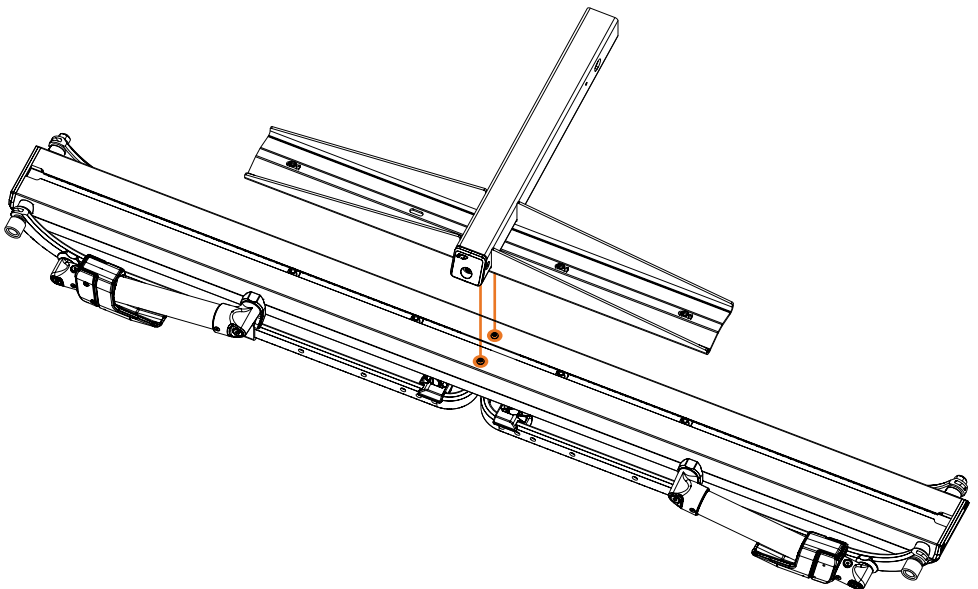
(2) Key

# Assembly

- 1 Turn your PISTON® SR over and insert (4) T-Channel Nuts into middle channel slot. Align two on the left, and two on the right. These T-Channel Nuts will align with bolt holes on your PISTON® SR 2" Hitch Adapter.

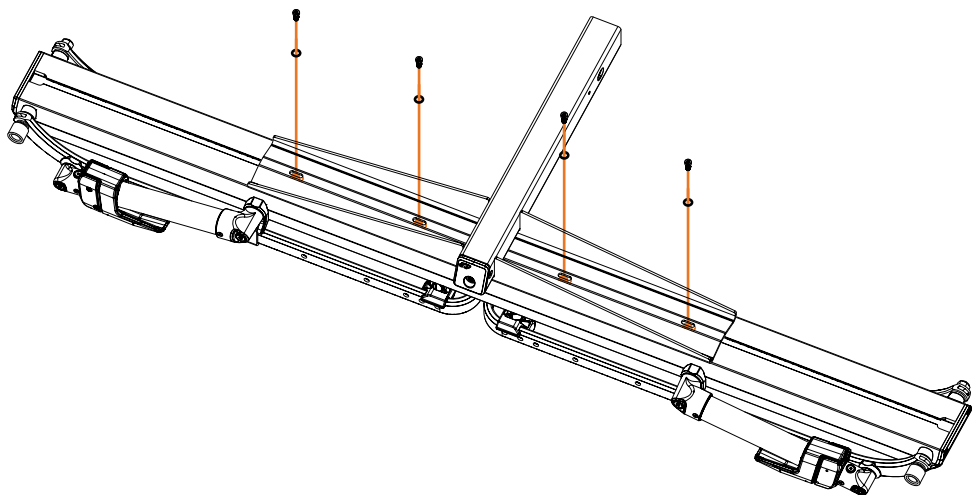


- 2 To center the PISTON® SR Hitch Adapter with the PISTON® SR, align the 2 button-head bolts on the PISTON® SR with the corresponding holes on the PISTON® SR Hitch Adapter.



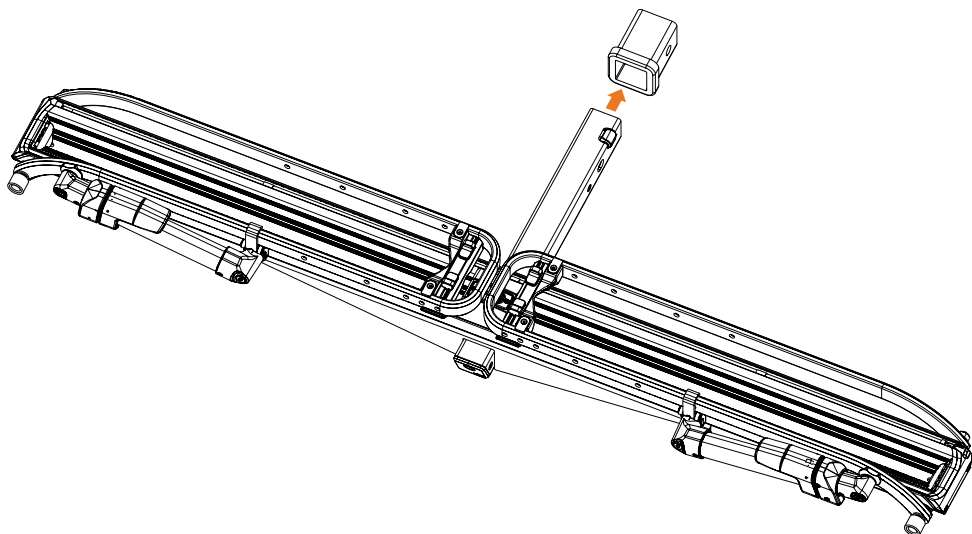
- 3 If necessary, adjust your T-Channel Nuts to align with Hitch Adapter bolt holes. Thread (4) M6 x 16 Socket Head Screws and (4) M6 Washers into T-Channel Nuts.

Tighten to 11 Nm using the provided 4mm Security Hex Key.



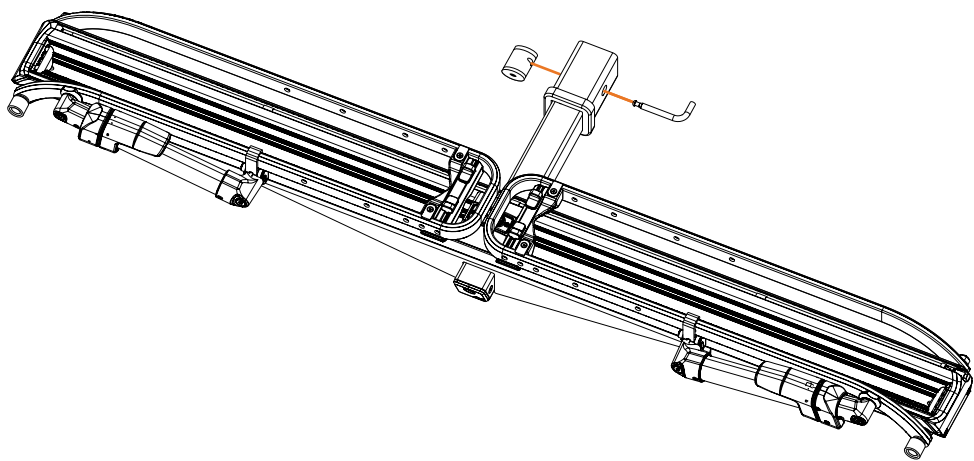
## Installation

- 1 Insert assembled PISTON® SR Hitch Adapter into vehicle hitch port.

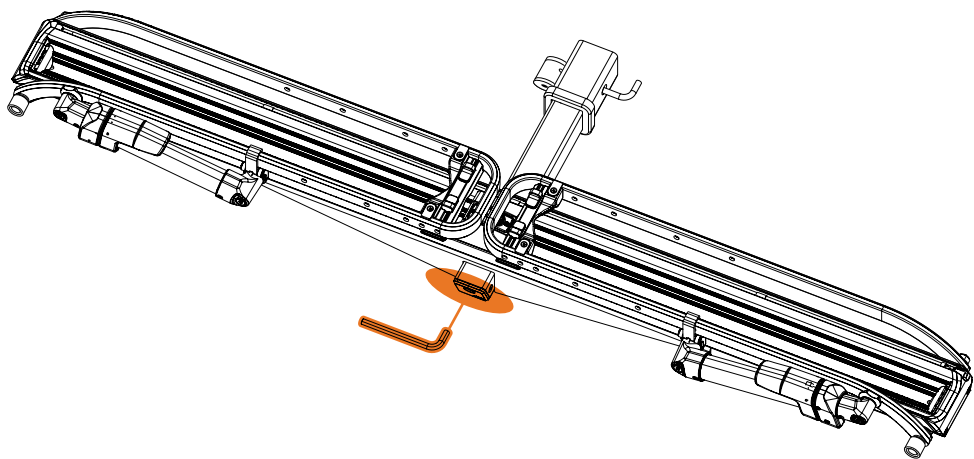




2 Secure with provided hitch lock.



3 Fully tighten using provided 8mm Security Hex Key.



Check positioning of exhaust so it is not at or above the level of the receiver hitch. Heat damage to bicycles on the carrier may result.

# Bump Stop Removal

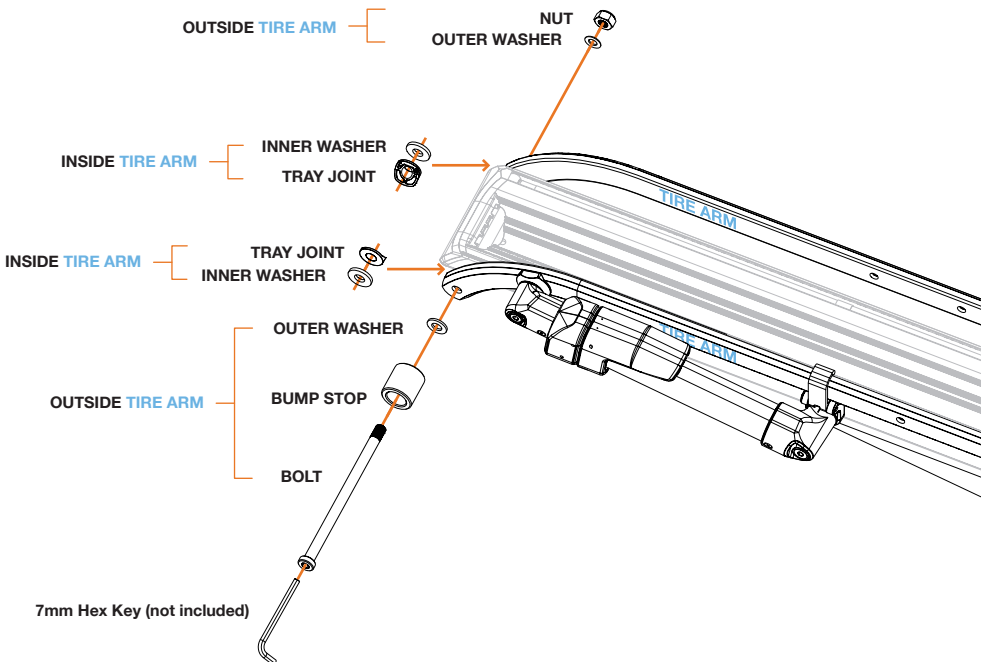
(For use with eBike Ramp)

PISTON® SR features bump stops to prevent tire tray arms from opening over-center and potentially damaging your vehicle. When using the PISTON® SR in the HITCH ADAPTER configuration these bump stops may be removed to allow tire tray arms to open over-center and allow for the installation of e-bike ramps.

- 1 Secure the Nut and use a 7mm Hex Key to fully loosen the Bolt inside the Bump Stop.
- 2 Carefully remove the Bolt, Bump Stop, Outer Washers, Inner Washers, and Tray Joints.

With Bump Stop removed, reassemble.  
Repeat for the opposite side if desired.

 Retain Bump Stop and reinstall if using PISTON® SR on vehicle roof.

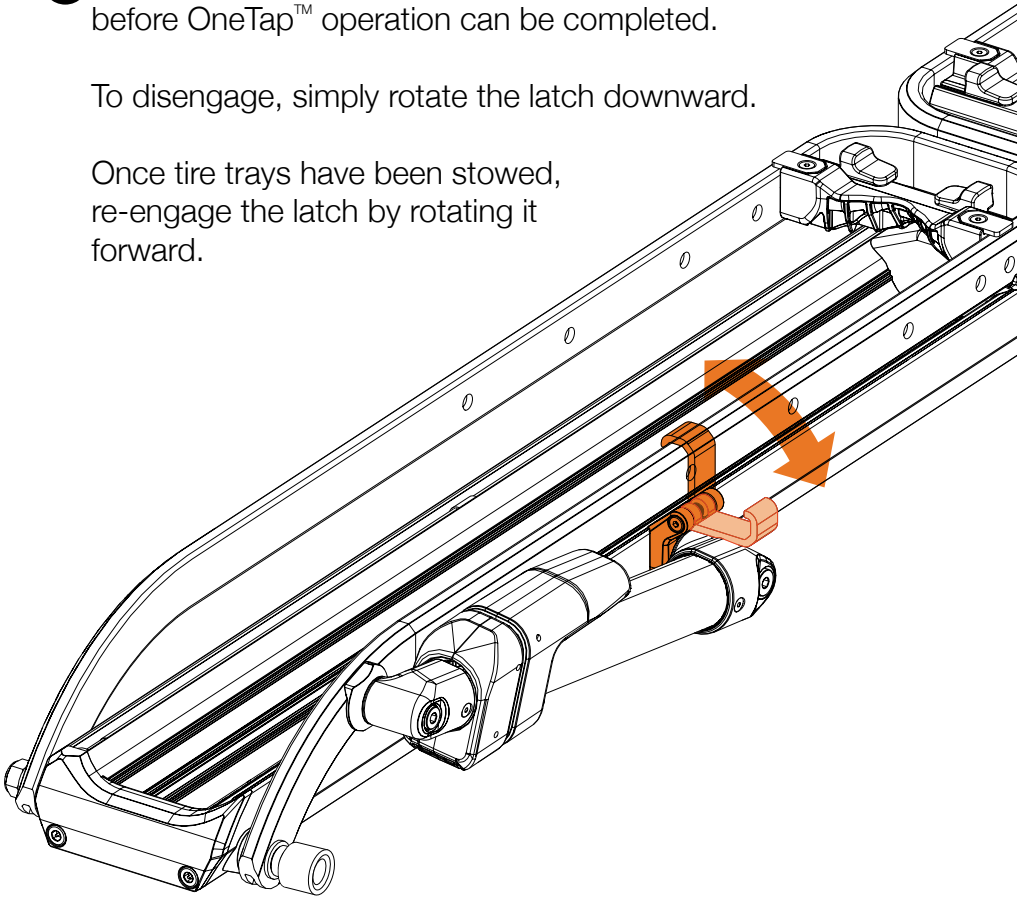


# Tire Arm Keeper

- 1 Each tire tray features a latch that must be disengaged before OneTap™ operation can be completed.

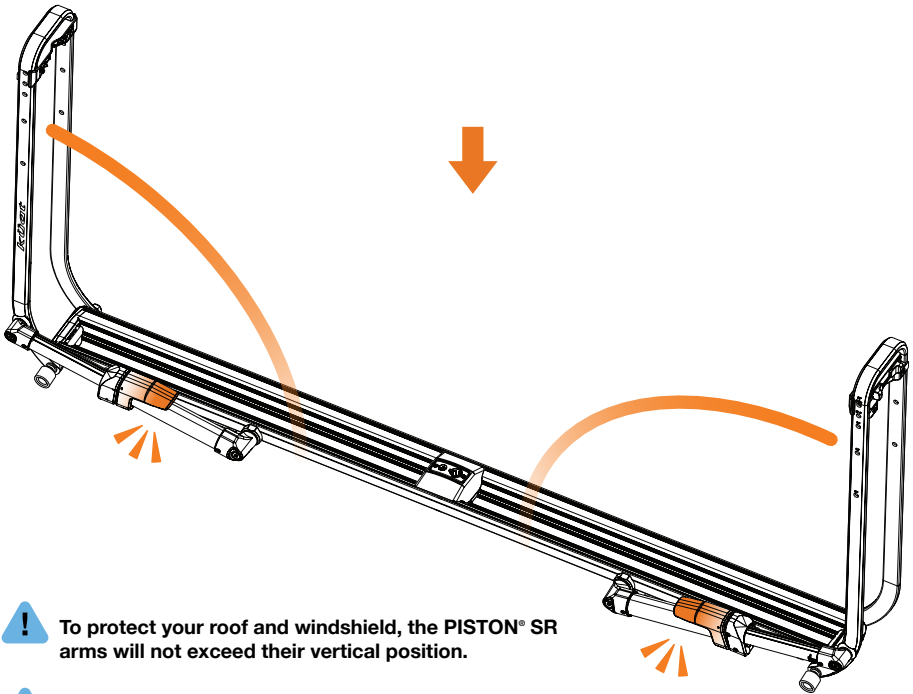
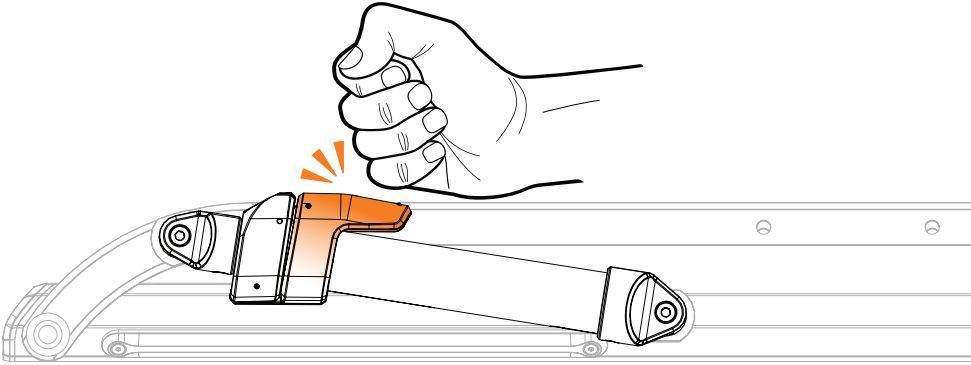
To disengage, simply rotate the latch downward.

Once tire trays have been stowed, re-engage the latch by rotating it forward.



# OneTap™ Operation

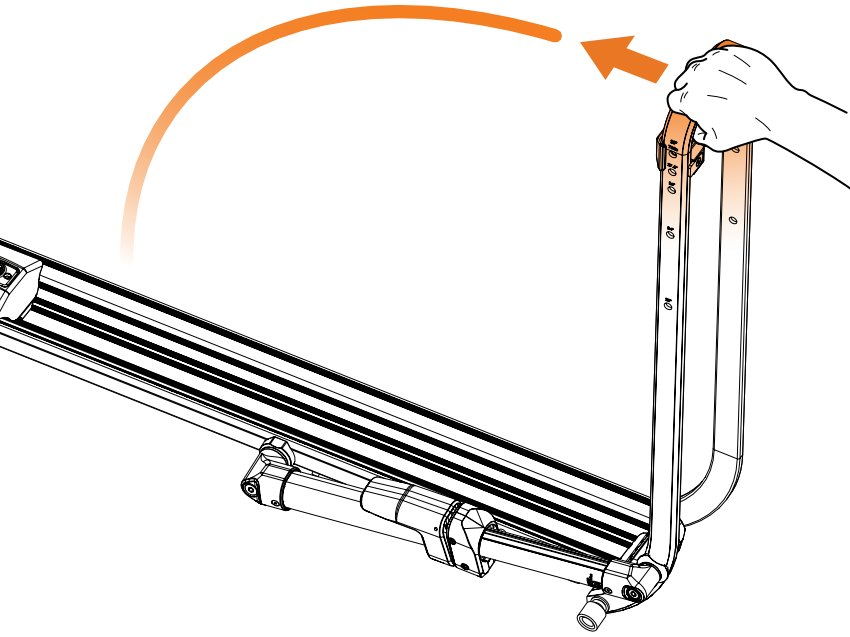
- 1 With Keepers unlatched, open each arm by tapping both OneTap™ Levers. Each arm will fully open automatically; there is no need to hold the levers down while operating.



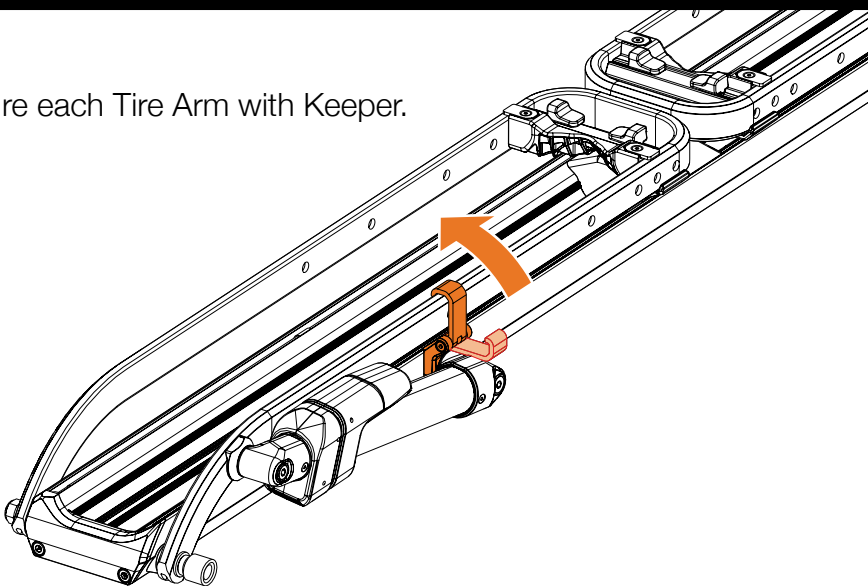
**!** To protect your roof and windshield, the PISTON® SR arms will not exceed their vertical position.

**!** When opening your PISTON® SR OneTap™ arms, ensure there are no obstructions.

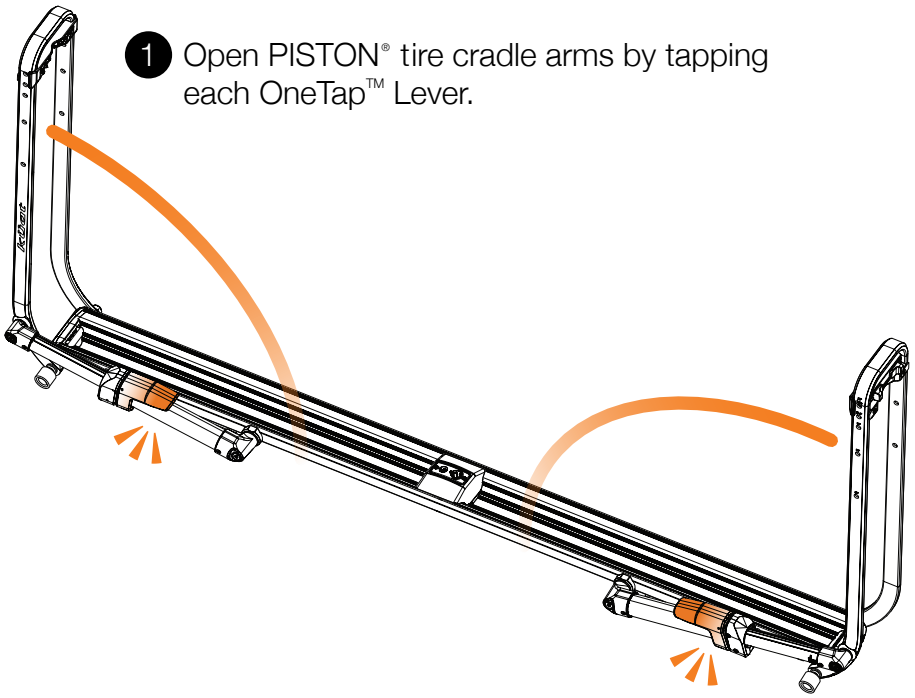
- 2 To close, simply push arms back down into stowed position. There is no need to re-engage the OneTap™ lever.



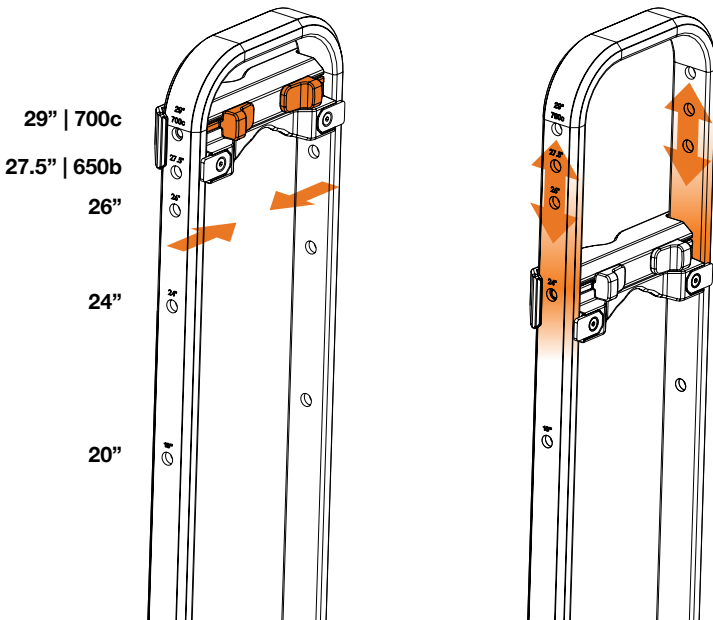
- 3 Secure each Tire Arm with Keeper.



# Loading | Unloading Bikes

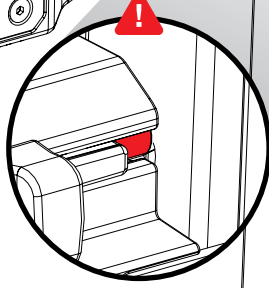
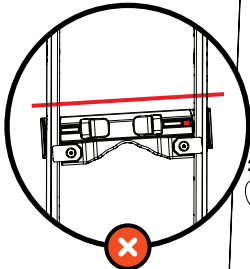
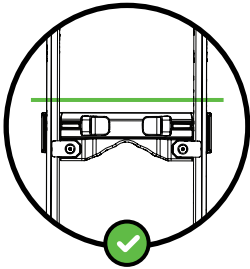
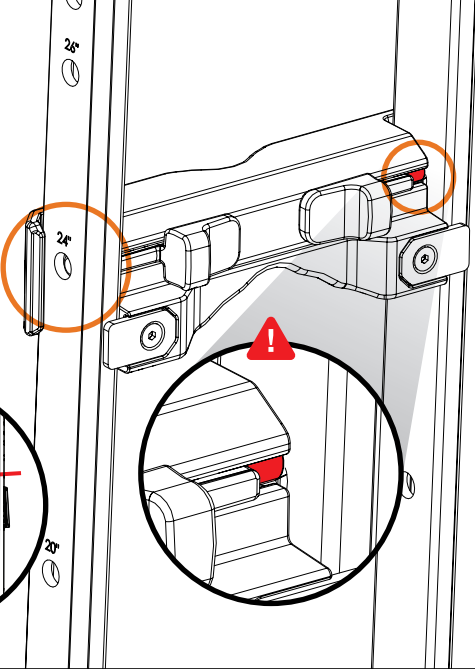


- 2 Push tabs inward and slide tire cradle up or down tire arm to adjust for desired wheel size.

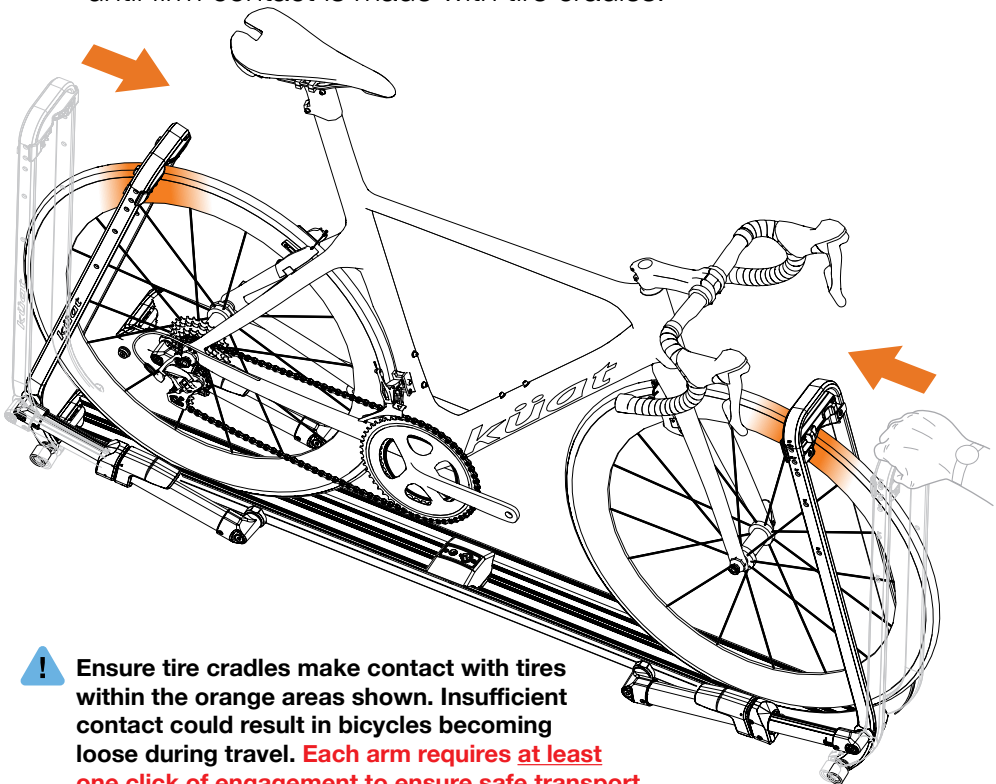


- 3 Visually ensure tabs are fully secured in notches. Misaligned tabs or tabs not fully secured will show a red warning indicator.

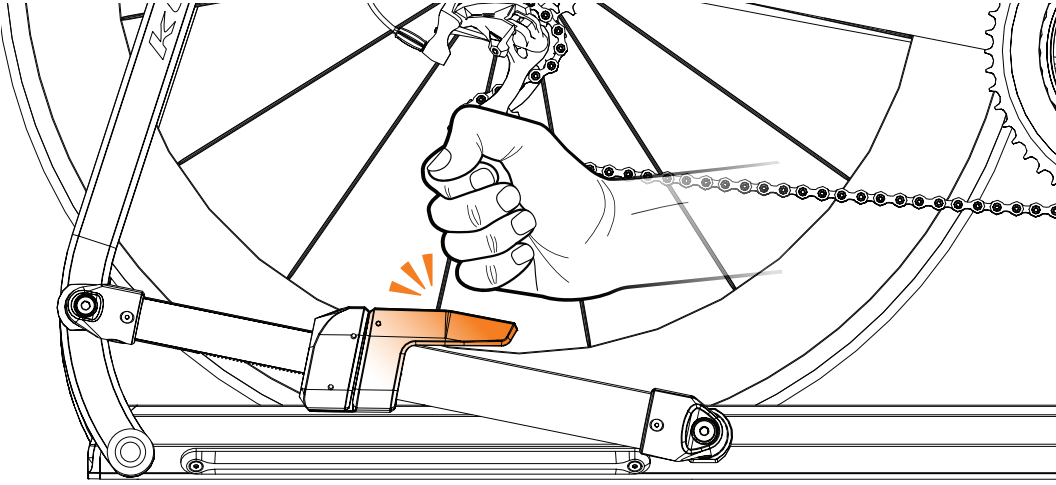
**!** Failure to secure both tabs may result in bikes becoming loose and falling during travel.



- 4 With bike in position close arms onto tires until firm contact is made with tire cradles.



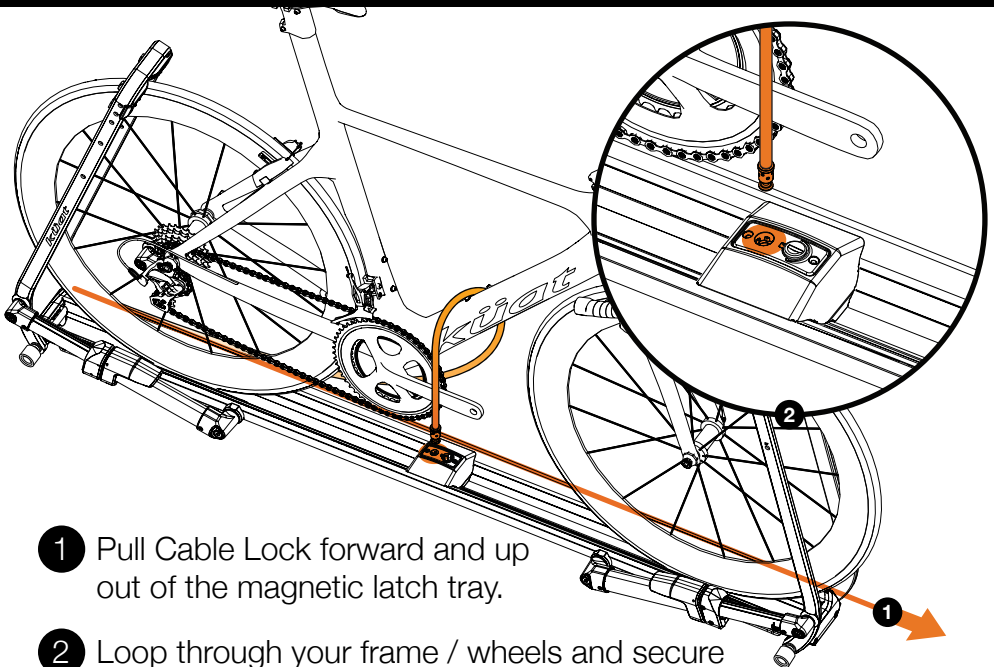
**!** Ensure tire cradles make contact with tires within the orange areas shown. Insufficient contact could result in bicycles becoming loose during travel. **Each arm requires at least one click of engagement to ensure safe transport.**



5 To unload, tap each OneTap™ Lever to release tire arms.

! After pushing the OneTap™ Lever, it may be necessary to push the tire arm up off the tire to fully disengage pneumatic tension.

## Securing your bike with Cable Lock



1 Pull Cable Lock forward and up out of the magnetic latch tray.

2 Loop through your frame / wheels and secure in center Cable Lock Port.



# Küat® Rack Warnings

# PISTON® SR

## 2" HITCH ADAPTER

Number Of Bikes	Weight Per Bike	Max Wheelbase	Max Tire Width
1	100 lb* 45.3kg	53 in 1346mm	5 in 127mm

\*67lbs if used on RV

### WARNINGS

- Follow instructions for proper assembly, installation and use.
- Check tightness of all bolts and screws periodically.
- Make sure rack and vehicle receiver are in working condition before each use.
- Only use Küat hitch extenders with this product.
- Do not use bicycle fenders or cargo racks with this product without PISTON® Fender Kit.
- Do not exceed the bicycle or weight limits intended for this rack.
- Do not use rack off road (rough, washed out, boulder-and-rut-strewn backroads).  
-Smooth gravel roads are not considered off-road.
- Do not use tarps, rain covers or wind covers with this product.
- The PISTON® SR Hitch Adapter should not be used to carry any device other than a PISTON® SR.
- Do not use the PISTON® SR Hitch Adapter on vehicles with a rear exhaust outlet that is at or above the level of the receiver hitch. Heat-related damage to bicycles on the carrier may result.
- Do not take through automatic car wash.
- See RV Compatibility warning.
- Drive responsibly.

### ADVERTENCIAS

- Siga las instrucciones para un montaje, instalación y uso adecuados.
- Verifique periódicamente el apriete de todos los pernos y tornillos.
- Asegúrese de que el portaequipajes y el receptor del vehículo estén en buenas condiciones antes de cada uso.
- Utilice únicamente extensores de enganche Küat con este producto.
- No use guardabarros de bicicleta o soportes de carga con este producto sin el kit de guardabarros PISTON®.
- No exceda los límites de bicicleta o peso previstos para este portabicicletas.
- No utilice la rejilla fuera de la carretera (carreteras secundarias irregulares, arrasadas, llenas de cantos rodados y surcos).  
-Los caminos de ripio liso no se consideran fuera de la carretera.
- No use lonas, cubiertas para la lluvia o cubiertas contra el viento con este producto.
- El adaptador de enganche PISTON® SR no debe usarse para transportar ningún dispositivo que no sea que un PISTON® SR.
- No utilice el adaptador de enganche PISTON® SR en vehículos con una salida de escape trasera que esté al nivel o por encima del nivel del enganche del receptor. Podrían producirse daños relacionados con el calor en las bicicletas que se encuentren en el portabicicletas.
- No pase por lavado automático de autos.
- Consulte la advertencia de compatibilidad de RV.
- Conduzca con responsabilidad.

### AVERTISSEMENTS

- Suivez les instructions pour un assemblage, une installation et une utilisation appropriés.
- Vérifiez périodiquement le serrage de tous les boulons et vis.
- Assurez-vous que le porte-bagages et le récepteur du véhicule sont en bon état de fonctionnement avant chaque utilisation.
- N'utilisez que des rallonges d'attelage Küat avec ce produit.
- N'utilisez pas de garde-boue ou de porte-bagages avec ce produit sans le kit de garde-boue PISTON®.
- Ne dépassez pas les limites de vélo ou de poids prévues pour ce porte-bagages.
- N'utilisez pas de crémaillère hors route (routes secondaires accidentées, délavées, parsemées de rochers et d'ornières).  
-Les routes en gravier lisse ne sont pas considérées comme hors route.
- N'utilisez pas de bâches, de housses de pluie ou de housses contre le vent avec ce produit.
- L'adaptateur d'attelage PISTON SR ne doit pas être utilisé pour transporter un appareil autre qu'un PISTON® SR.
- N'utilisez pas l'adaptateur d'attelage PISTON® SR sur des véhicules dotés d'une sortie d'échappement arrière située au niveau ou au-dessus du niveau de l'attelage du récepteur. Des dommages liés à la chaleur aux vélos sur le porte-vélos peuvent en résulter.
- Ne passez pas dans un lave-auto automatique.
- Voir l'avertissement de compatibilité RV.
- Conduisez de façon responsable.

# NO WORRIES LIMITED WARRANTY

We stand behind our products, and our customer service reps are waiting to help you out if you have any problems with your product. Our limited warranty covers your purchase for life. You can review our limited warranty on our website or call customer service at the number below if you have questions or need a repair, replacement, refund, or a copy of the limited warranty.

**[www.kuat.com/warranty](http://www.kuat.com/warranty)**

**Questions or comments?**

Drop us an email or call us directly!

**[kuat.com](http://kuat.com) | [info@kuat.com](mailto:info@kuat.com) | [877.822.5828](tel:877.822.5828)**

# Küat RV Compatibility Warning

Küat's receiver hitch-mounted bicycle racks may be used with some recreational vehicles (RVs) as described below. Many types of RVs subject the rack and bicycles on it to high forces and extreme movements. As a result, Küat does not recommend using our receiver hitch-mounted products on RVs that will likely expose the rack to unacceptable conditions.

Küat's standard warranty will cover use of any of its 2-inch receiver hitch-mounted bicycle racks on motorhomes (as defined in 49 C.F.R. 571.3) satisfying all of the following requirements:

- 1) The receiver hitch is directly attached to the chassis, not just to the bumper;
- 2) The rear-most point of the receiver hitch where the bicycle rack will be attached is no more than 64 inches from the rear axle of the motorhome; and
- 3) The vehicle is a class B type motorhome as described below.

Class B type motorhomes are commonly known as van conversions and comprise a completed van-type vehicle which has been altered to provide temporary living quarters. Class B type motorhomes have a gross vehicle weight rating of 10,000 lbs or less.

In addition, (i) the 2 inch receiver Transfer™ v2, (ii) the 2-inch receiver Piston® Pro X, and (iii) the Piston® SR with 2" Hitch Adapter may be used on RVs (both motorhomes and trailers) satisfying all of the following requirements:

- 1) The receiver hitch is directly attached to the RV chassis, not just to the bumper; and
- 2) The bicycle rack is in the 2-bike configuration with no add-on unit attached.

Please check the Warnings section of the User Guide for load weight limits applicable to your rack when used on an RV. Lower weight limits apply.

Even if the conditions above are met, any RV may be operated in a way that will expose Küat's products to conditions that they are not designed to handle. The operator of the RV is responsible to operate the RV in a manner that will not overload the rack, such as by excessive speed over rough roads or speed bumps, rapid turning movements, driving the RV over changes in gradient that will bring the rack in contact with the ground, or other similar actions.

***kuat***<sup>®</sup>

1.877.822.5828

info@kuat.com

**kuat.com**