

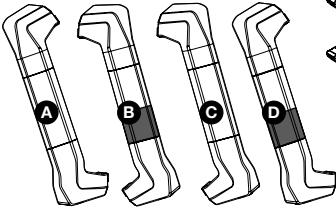
IBEX™

ASSEMBLY

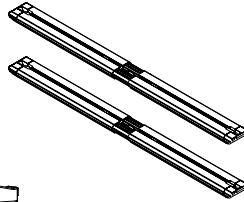


ASSEMBLY VIDEO

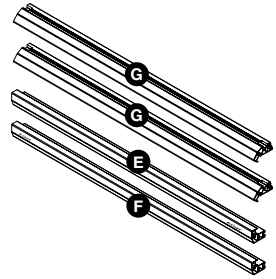
Parts & Tools



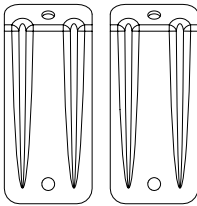
(4) IBEX™ Frame Upright



(2) IBEX™ Crossbar



(4) IBEX™ Sidebeam



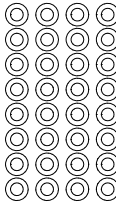
(4) Crossbar Stiffener



(4) M8 x 22



(8) M8 x 12



(32) M8 Washer



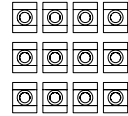
(16) M8 x 50



(8) M8 x 30

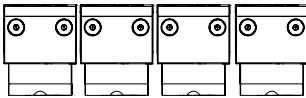


(8) M8 Lock Nut

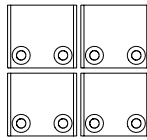


(12) T-Nuts

OPTIONAL MID-HEIGHT KIT



(4) Universal Bed Clamp Assembly



(4) T-Channel Base Mount



(4) Long T-Nut



(8) M8 x 38

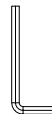
OPTIONAL T-CHANNEL KIT



(1) M8 Security Hex Key



(1) M6 Hex Key



(1) M5 Security Hex Key



(1) M4 Hex Key

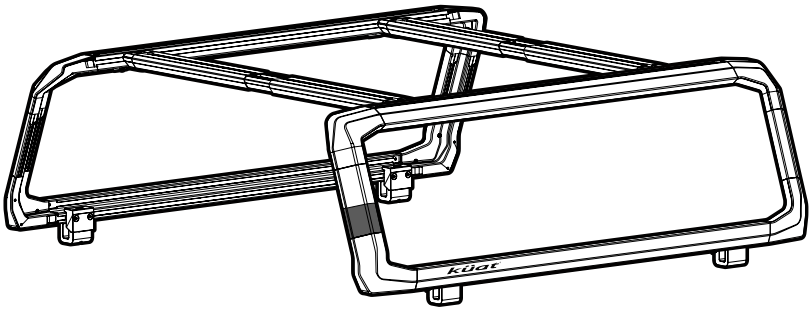


(1) 6mm Impact Bit

*Use with Impact Driver
*Do not use with Drill

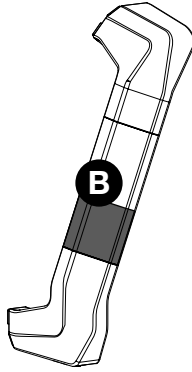
Important Notes & Tips

- 1 Build and assemble your IBEX™ on a flat surface.
- 2 At a certain point in the installation process, it is necessary to lift the IBEX™ onto the vehicle. This will require a 2-person team lift.
- 3 Orientate the decorative strip on the hoop towards the rear of the vehicle.
- 4 Periodically check tightness of IBEX™ bolts and screws.

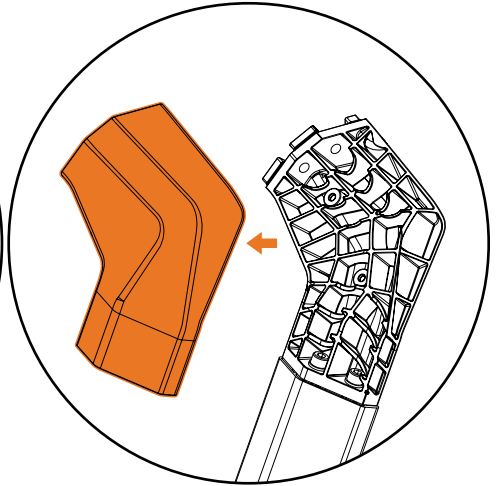
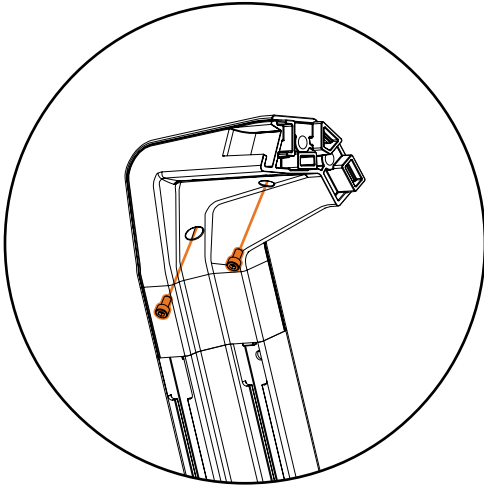


Driver Side Hoop Assembly

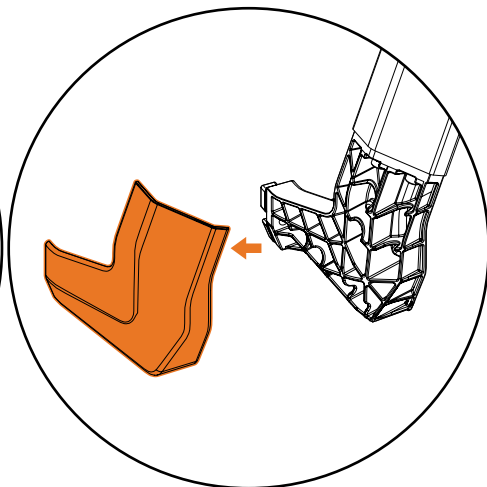
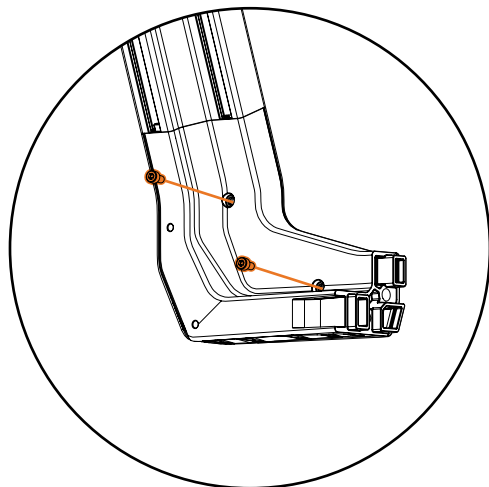
- 1 Locate IBEX™ labeled **Part B**.



- 2 Using the provided Hex Key unfasten (2) M5 x 10 bolts inside and remove **Top Corner Cover**.



- 3 Using the provided Hex Key unfasten (2) M5 x 10 bolts inside and remove **Bottom Corner Cover**.



Mid-Height Configuration

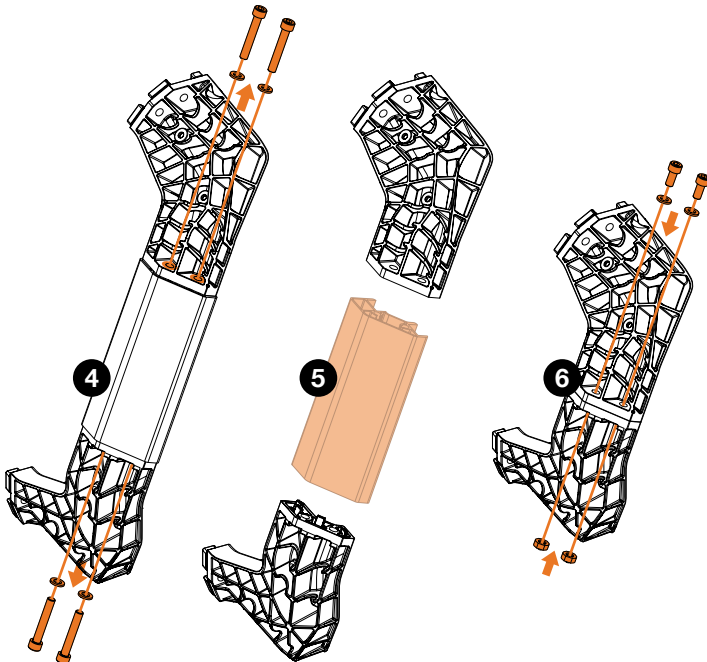


If you wish to assemble and install the IBEX™ in the Mid-Height Configuration, follow these steps - if not, skip to [STEP 7](#)

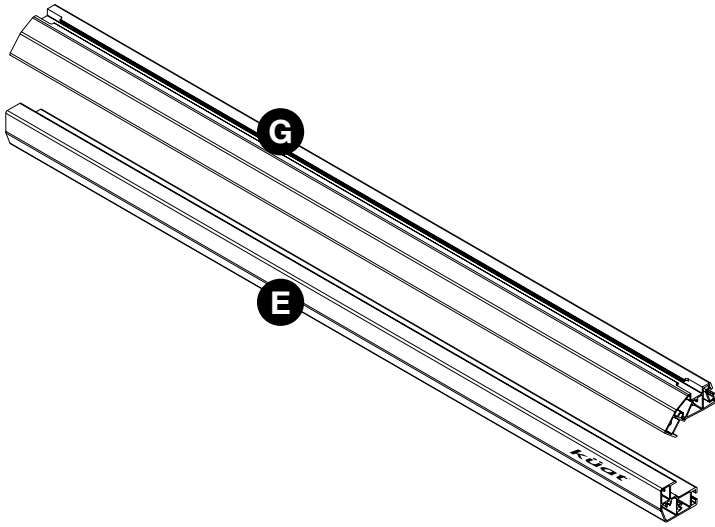
- 4 With Top and Bottom Corner Covers removed, locate and unfasten the (4) M8 x 50 bolts and (4) washers attaching the vertical extension to the corner pieces.
- 5 Remove vertical extension.
- 6 Reassemble the corner pieces using (2) M8 x 30 bolts and (2) M8 lock nuts while reusing (2) washers from [Step 4](#). Bolts and washers are inserted through the top, and the lock nuts are placed on the bottom. **Torque to 29 Nm.**

Repeat these steps for remaining Sections A, D and C.

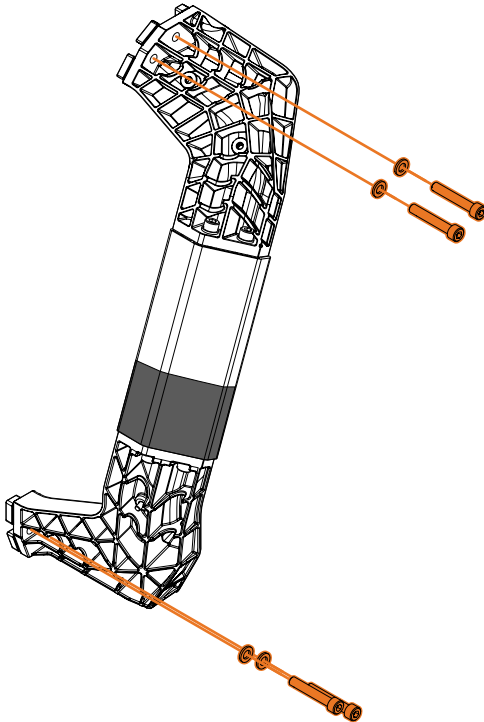
Continue to [Step 7](#) with Mid-Height Configuration.



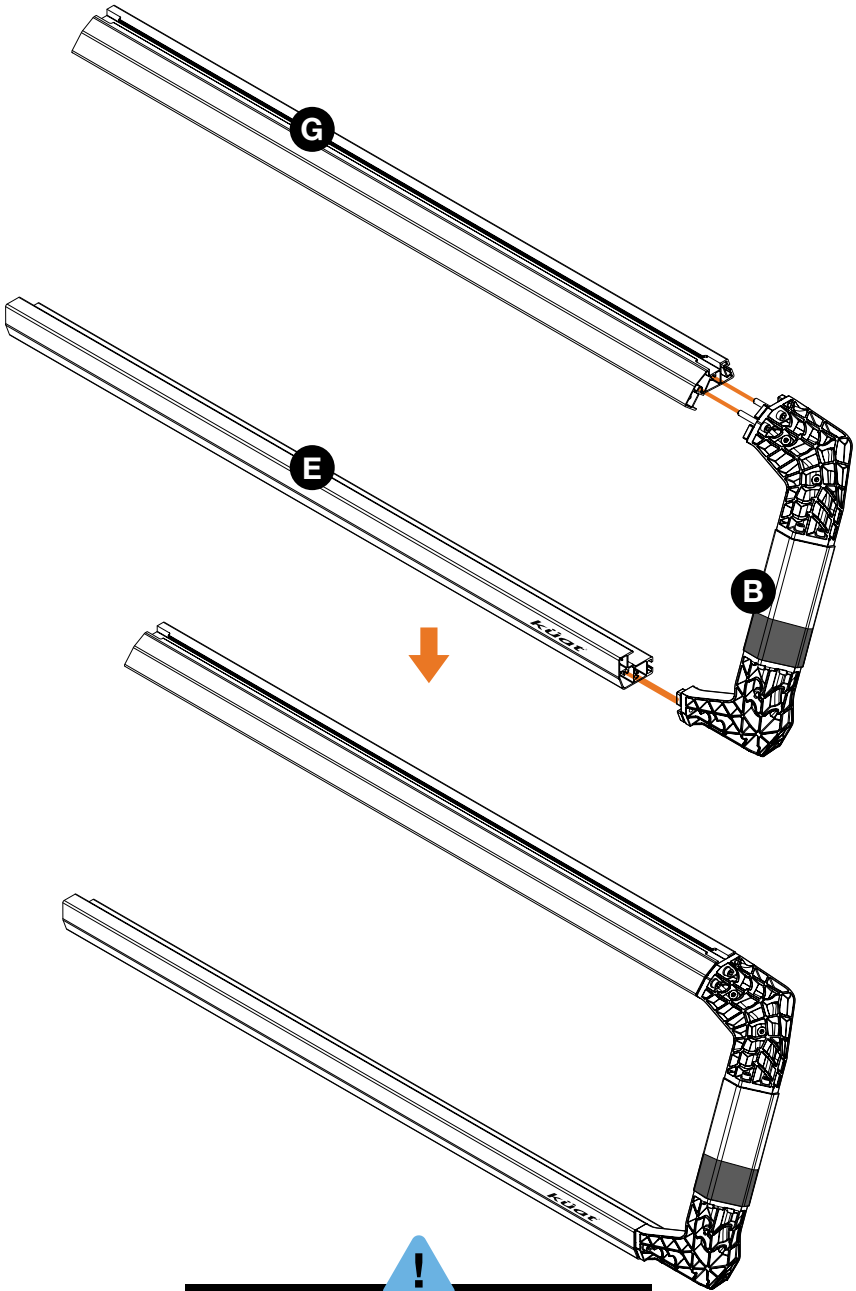
- 7 Locate IBEX™ Sections labeled **G** and **E**.



- 8 Install (4) M8 x 50 bolts and (2) M8 washers into the top and bottom of IBEX™ Section labeled **B**.

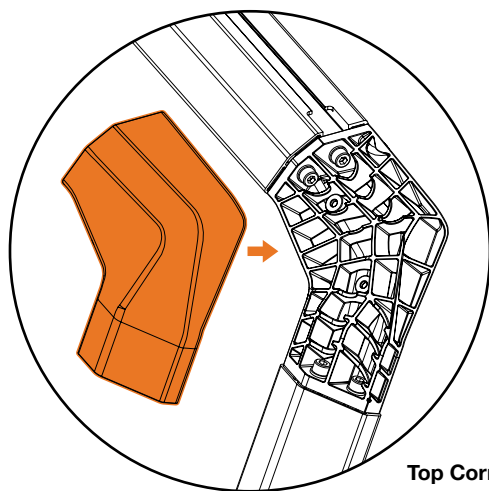


- 9 Using the provided 6mm Impact Bit, fasten IBEX™ Section **B** into Sections **E** and **G**. Tighten snug with Impact Drill.

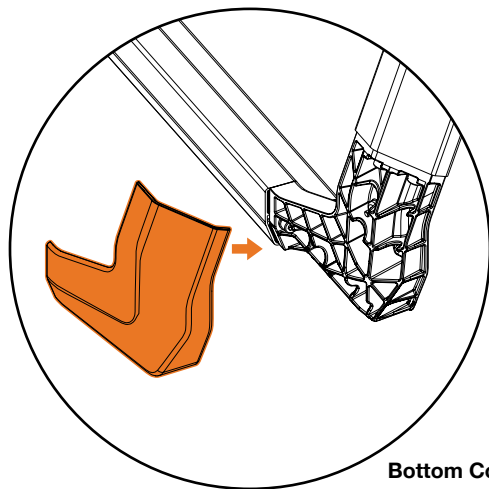
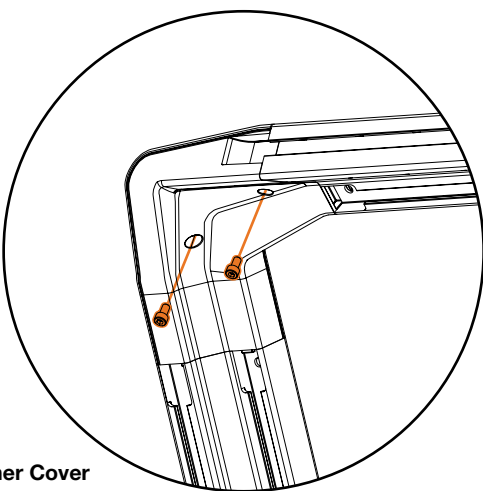


Torque M8 bolts by hand
to 16-20 Nm

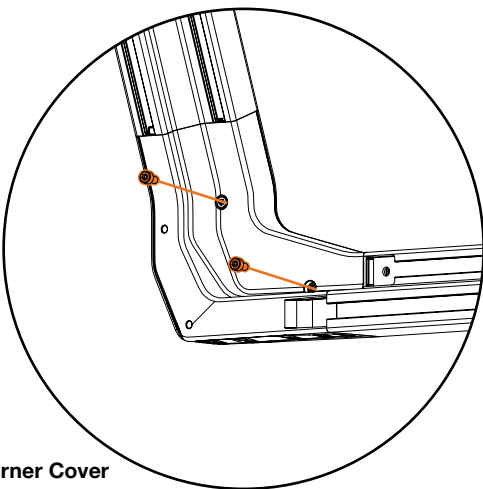
10 Reinstall **Top Corner Cover** and **Bottom Corner Cover**.



Top Corner Cover

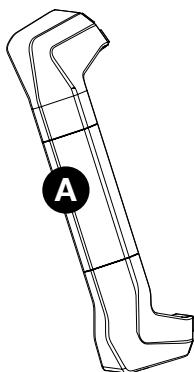


Bottom Corner Cover

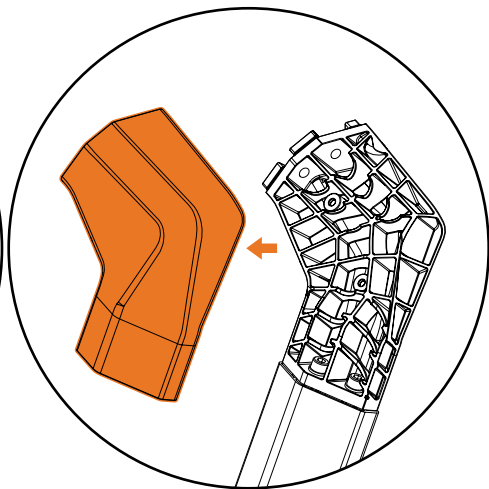
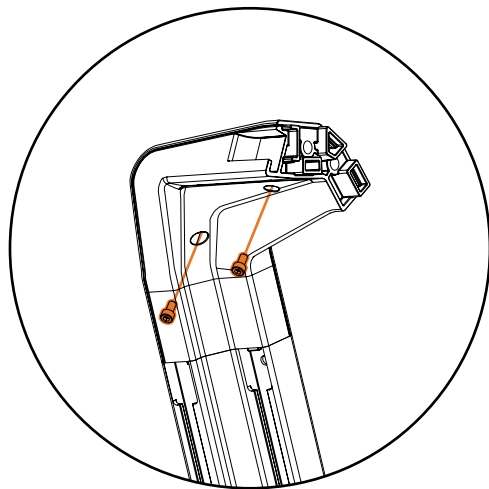


**Torque M5 x 10 bolts to 5 Nm
Do not overtighten**

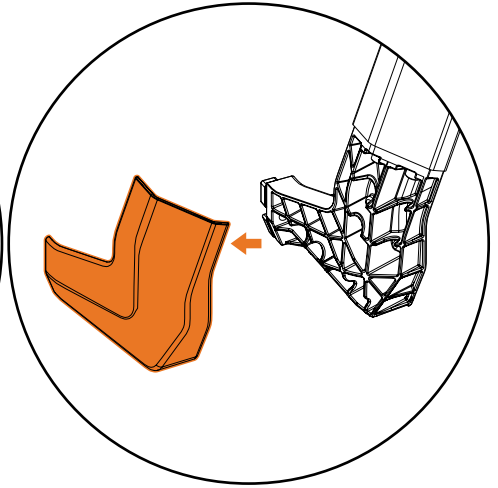
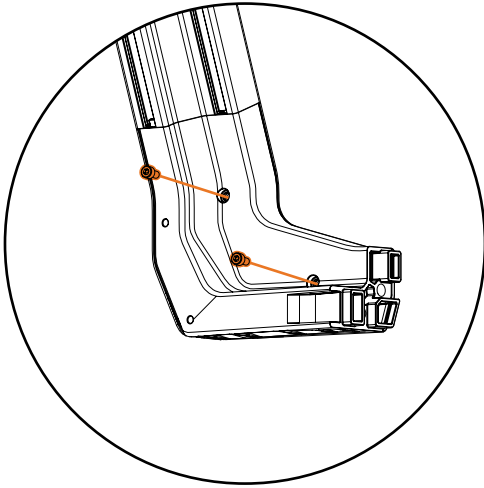
- 11 Locate IBEX™ labeled **Part A**.



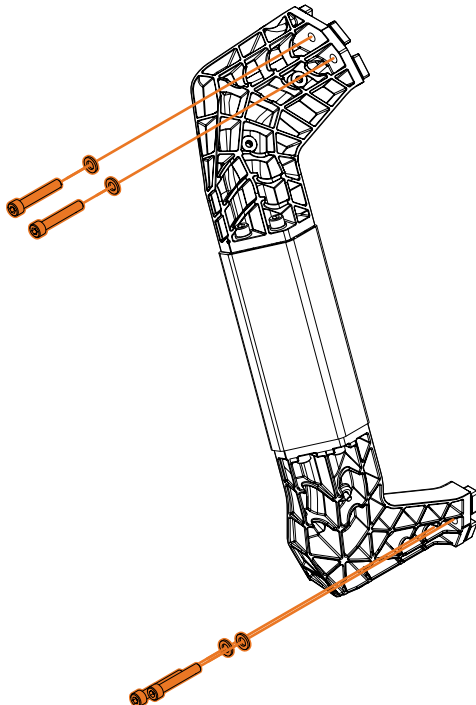
- 12 Using the provided Hex Key unfasten (2) M5 x 10 bolts inside and remove **Top Corner Cover**.



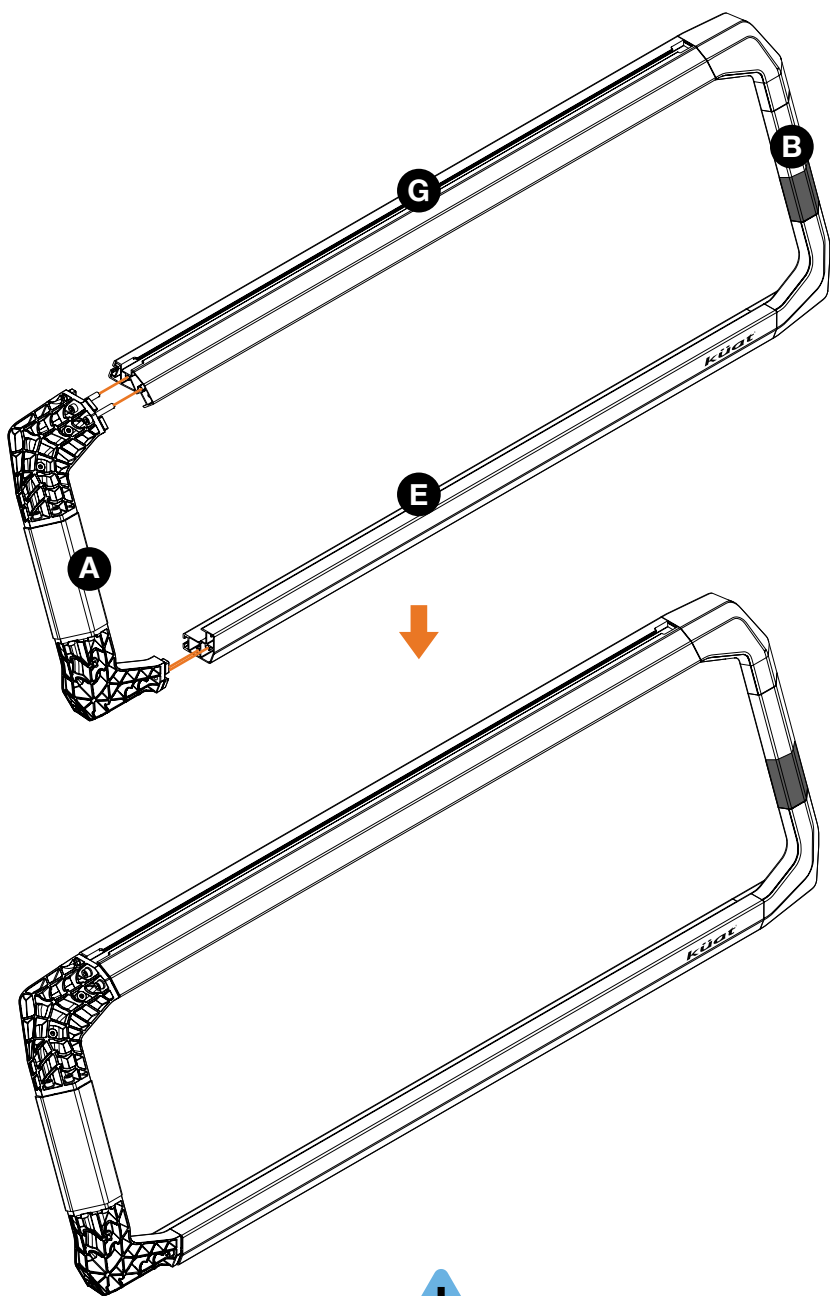
- 13 Using the provided Hex Key unfasten (2) M5 x 10 bolts inside and remove **Bottom Corner Cover**.



- 14 Install (4) M8 x 50 bolts and (4) M8 washers into the top and bottom of IBEX™ labeled **Part A**.

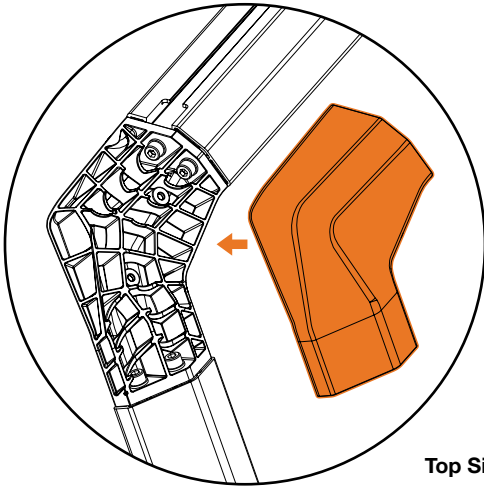


- 15 Using the provided 6mm Impact Bit, fasten IBEX™ Sections **A** into Sections **E** and **G**. Tighten with Impact Drill.

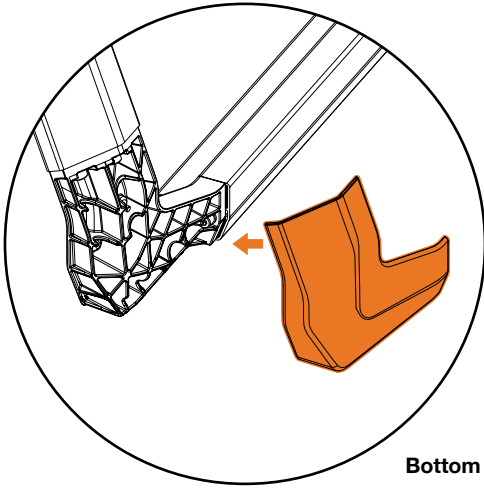
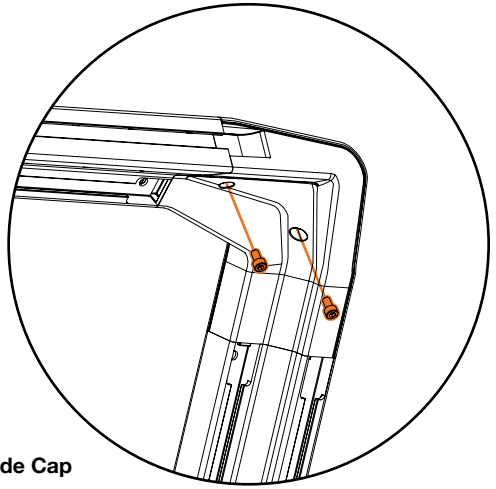


Torque M8 bolts by hand
to 16-20 Nm

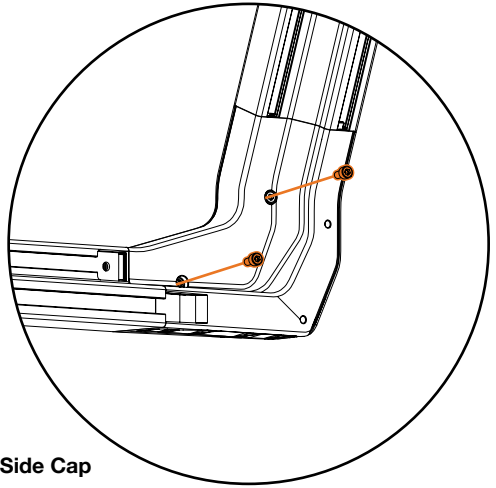
16 Reinstall **Top Corner Cover** and **Bottom Corner Cover**.



Top Side Cap



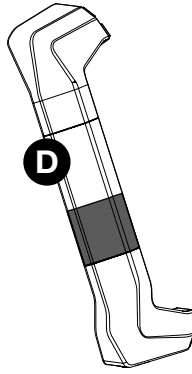
Bottom Side Cap



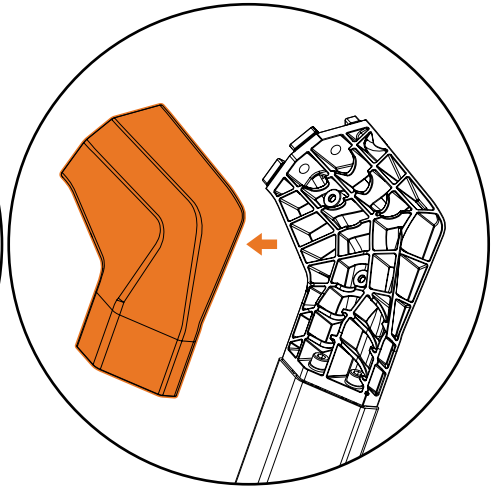
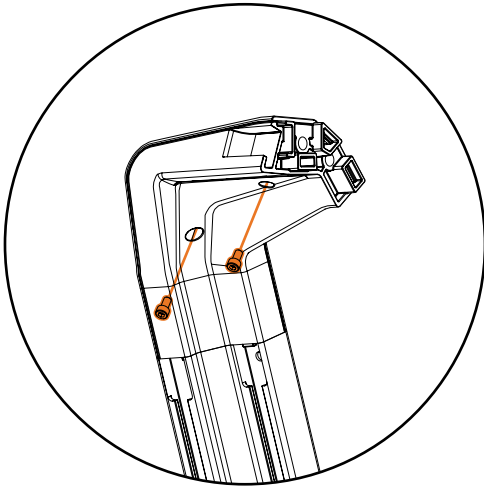
**Torque M5 x 10 bolts to 5 Nm
Do not overtighten**

Passenger Side Hoop Assembly

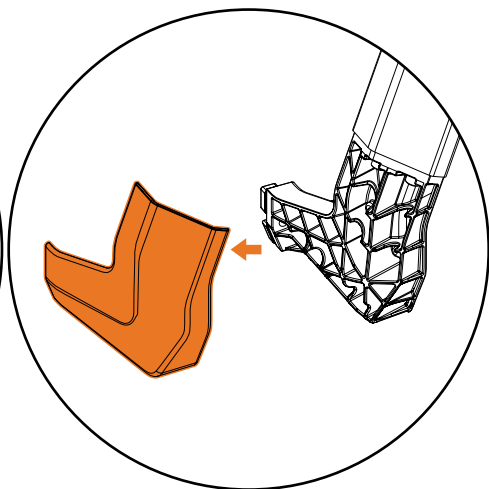
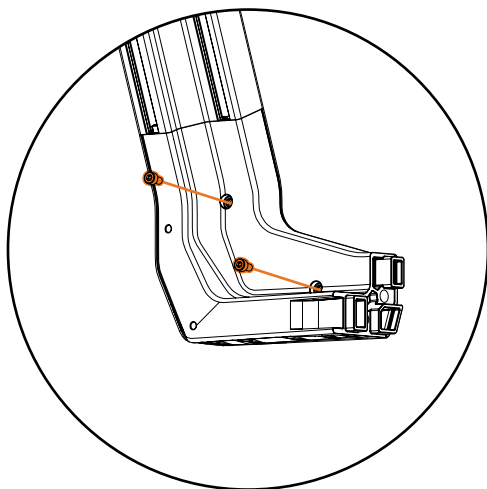
- 1 Locate IBEX™ labeled **Part D**.



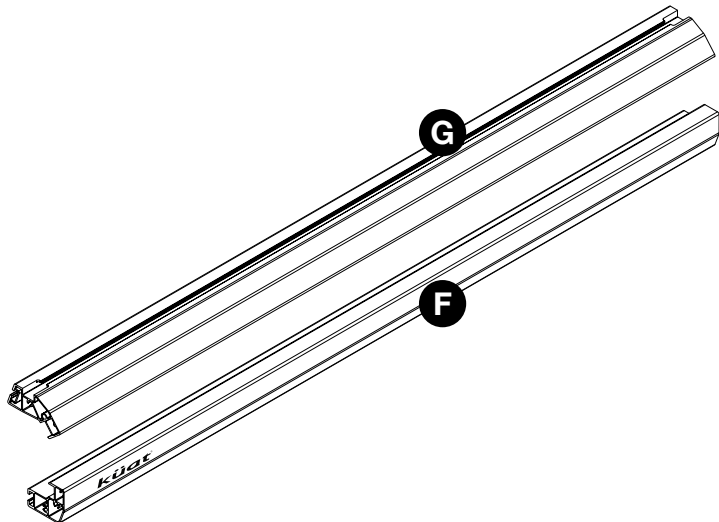
- 2 Using the provided Hex Key unfasten (2) M5 x 10 bolts inside and remove **Top Corner Cover**.



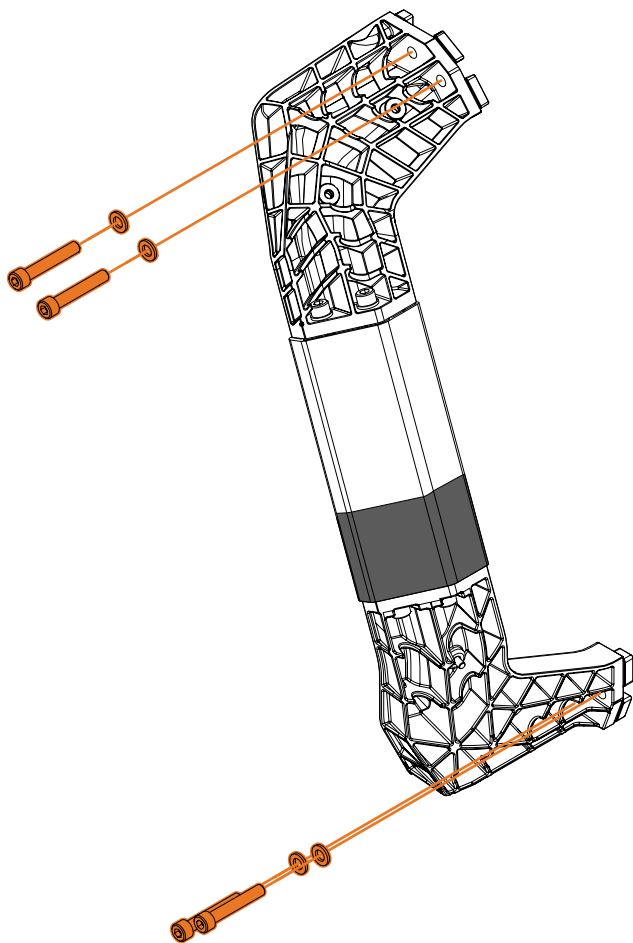
- 3 Using the provided Hex Key unfasten (2) M5 x 10 bolts inside and remove **Bottom Corner Cover**.



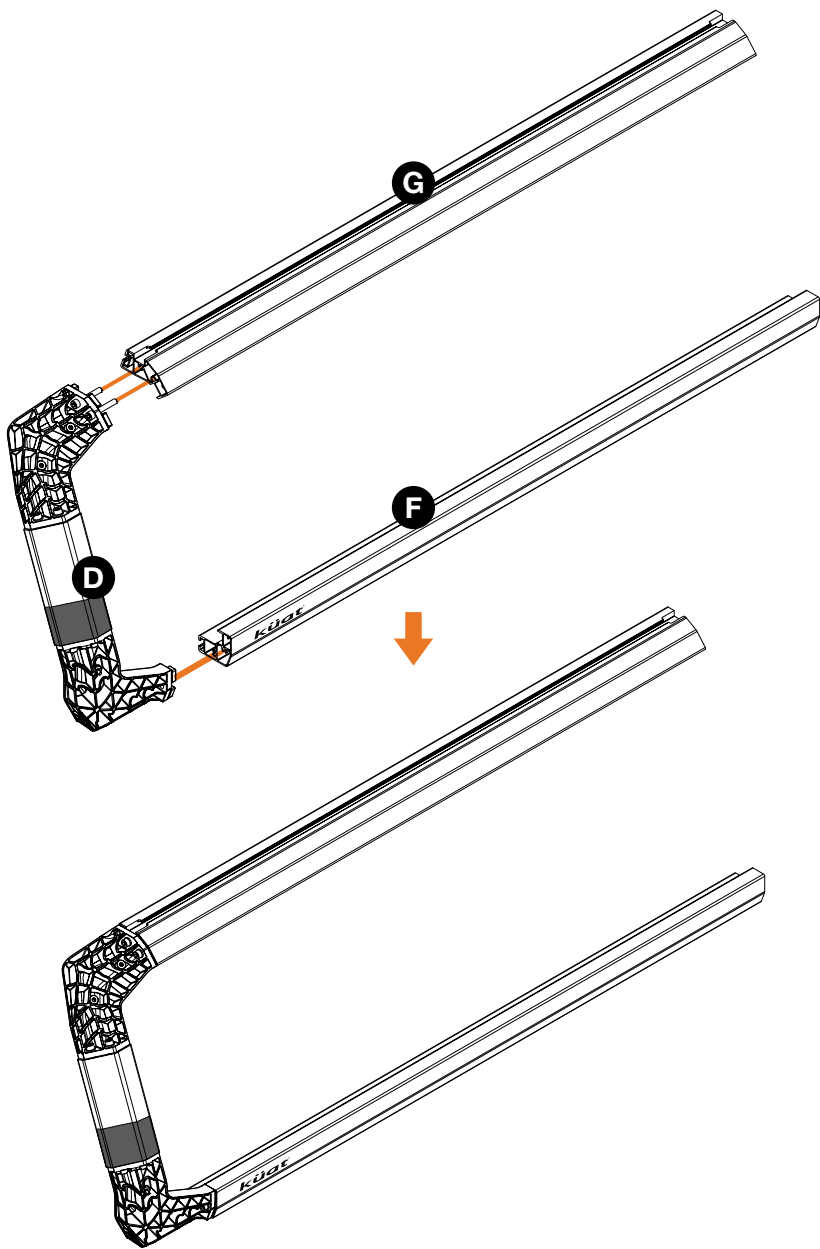
- 4 Locate IBEX™ Sections labeled **G** and **F**.



- 5 Install (4) M8 x 50 bolts and (4) M8 washers into the top and bottom of IBEX™ Section labeled **D**.

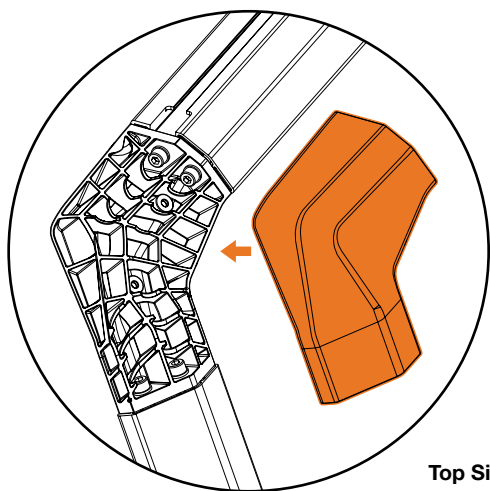


- 6 Using the provided 6mm Impact Bit, fasten IBEX™ Section D into Sections G and F. Tighten with Impact Drill.

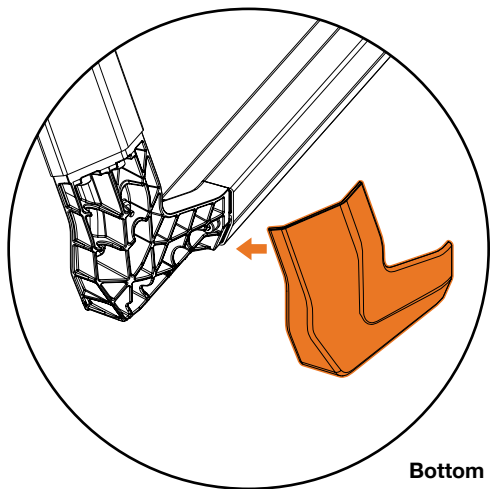
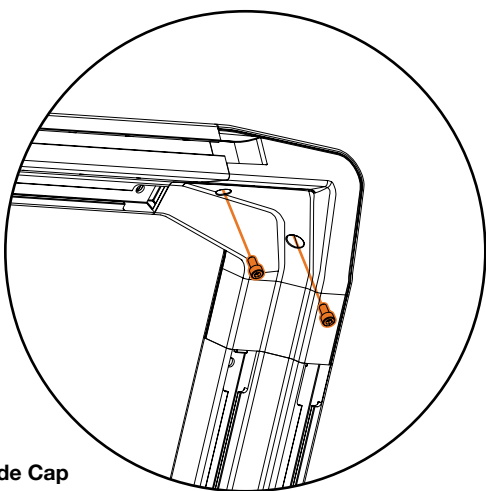


Torque M8 bolts by hand to 16-20 Nm

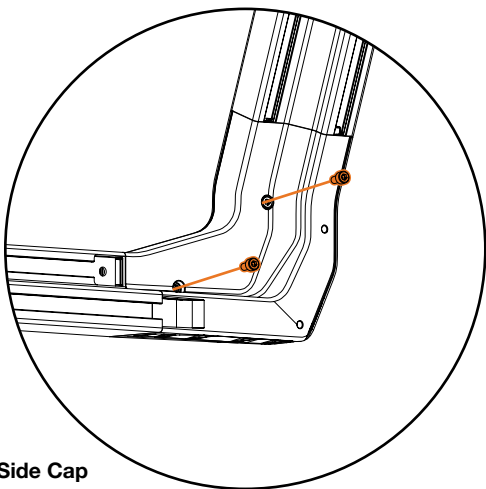
7 Reinstall **Top Corner Cover** and **Bottom Corner Cover**.



Top Side Cap

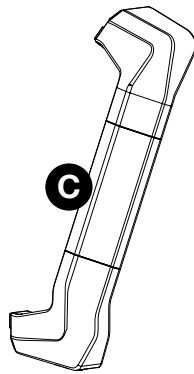


Bottom Side Cap

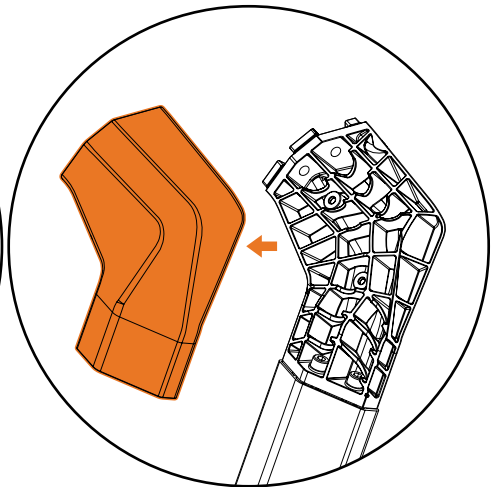
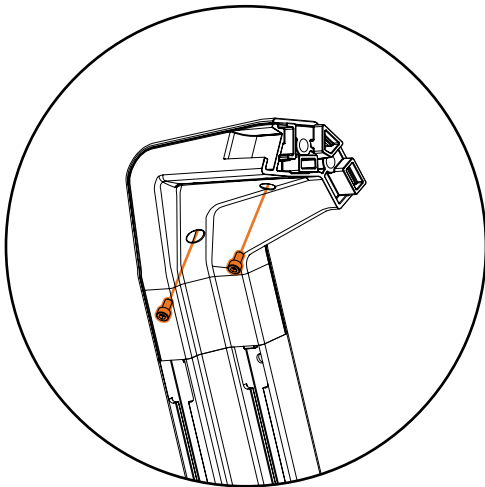


**Torque M5 x 10 bolts to 5 Nm
Do not overtighten**

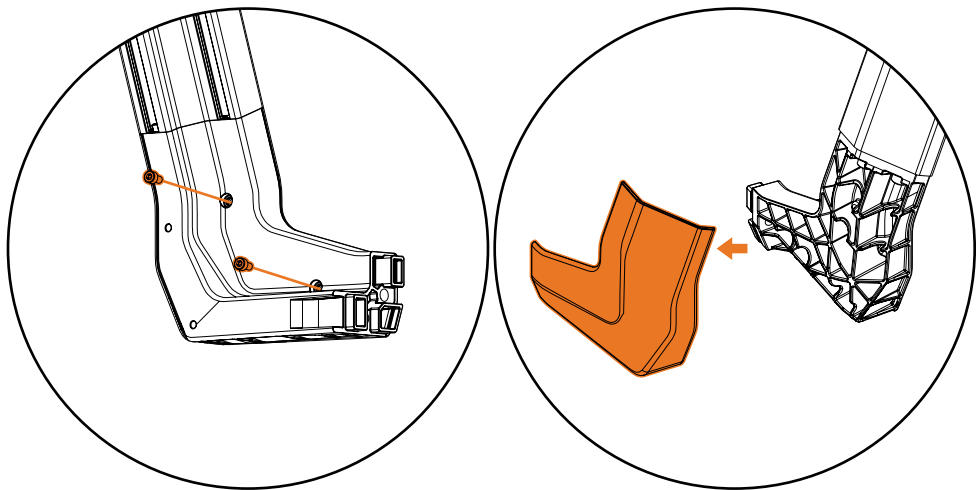
8 Locate IBEX™ labeled **Part C**.



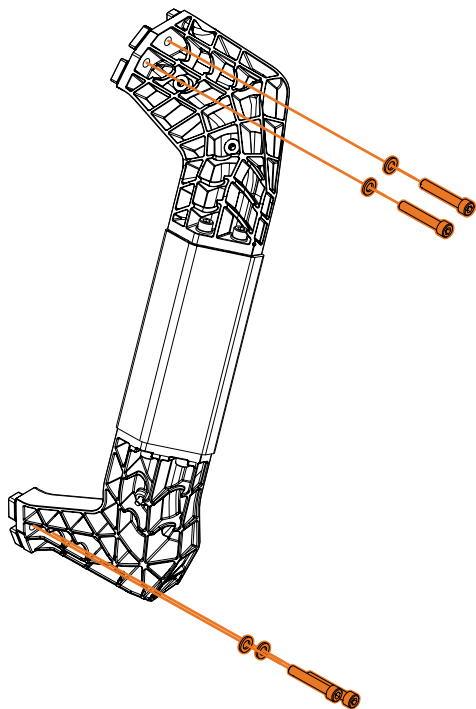
9 Using the provided Hex Key unfasten (2) M5 x 10 bolts inside and remove **Top Corner Cover**.



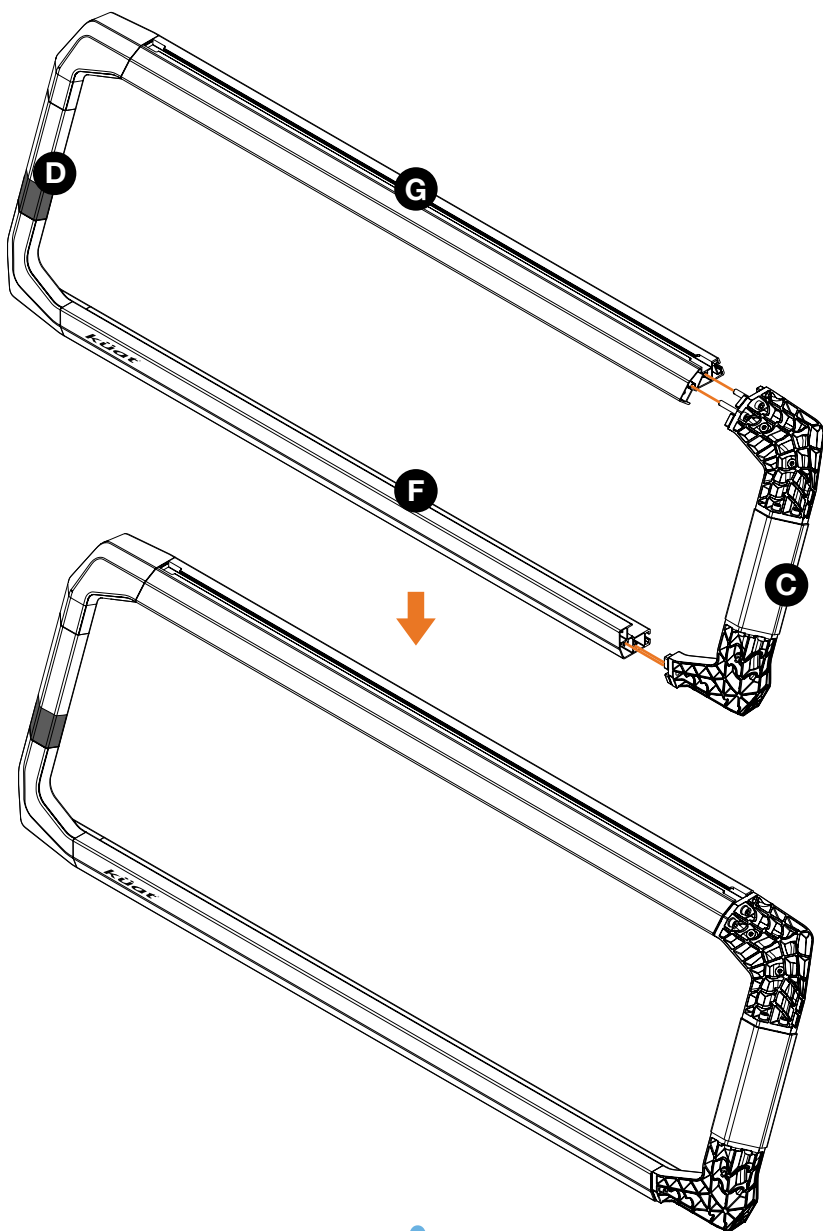
- 10 Using the provided Hex Key unfasten (2) M5 x 10 bolts inside and remove **Bottom Corner Cover**.



- 11 Install (4) M8 x 50 bolts and (4) M8 washers into the top and bottom of IBEX™ labeled **Part C**.

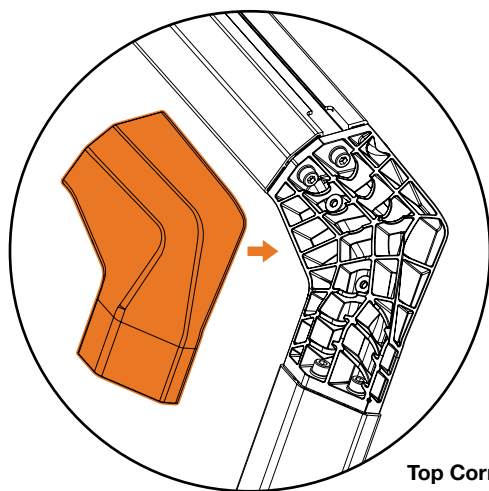


- 12 Using the provided 6mm Impact Bit, fasten IBEX™ Section **C** into Sections **G** and **F**. Tighten with Impact Drill.

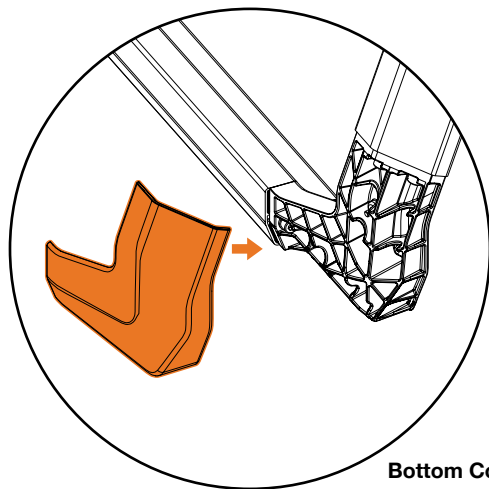
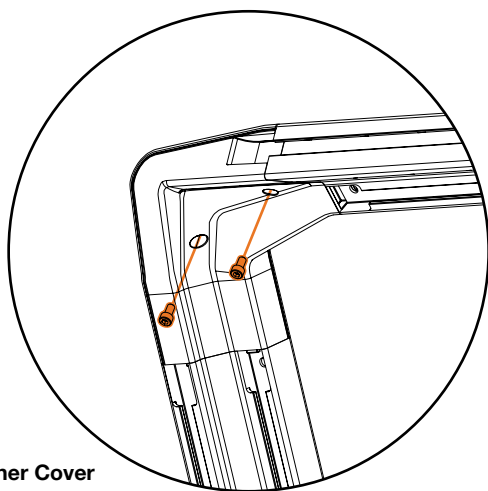


Torque M8 bolts by hand
to 16-20 Nm

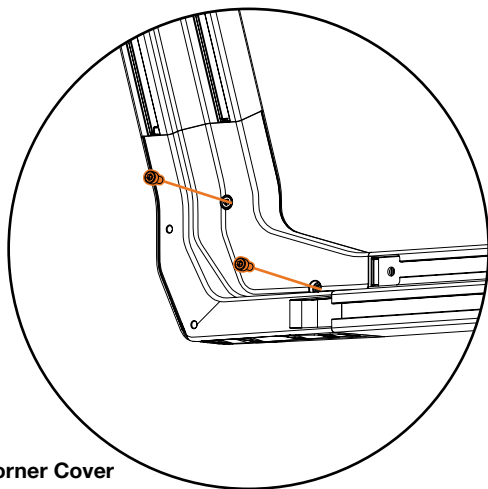
13 Reinstall **Top Corner Cover** and **Bottom Corner Cover**.



Top Corner Cover



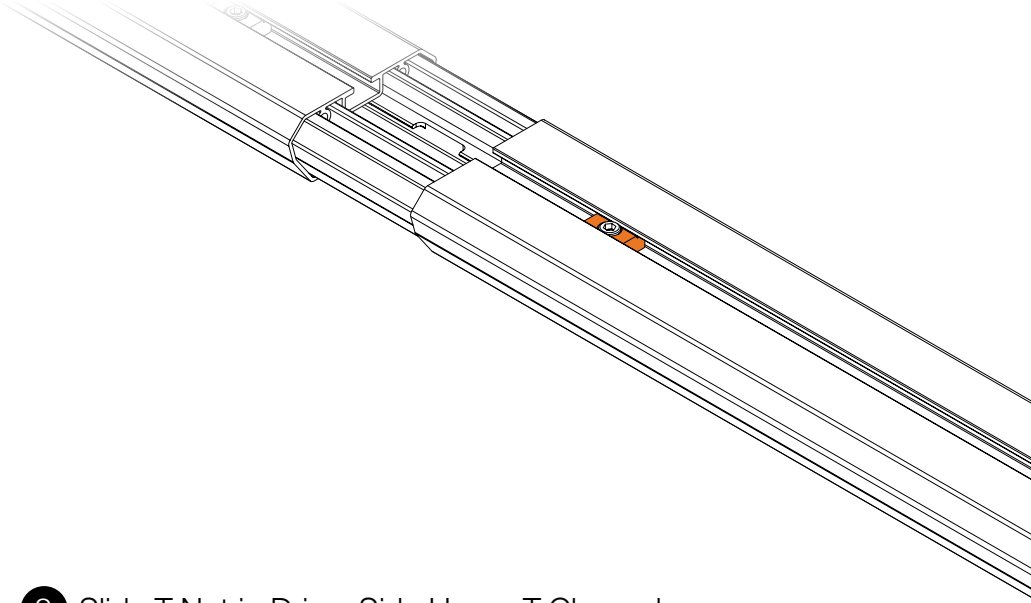
Bottom Corner Cover



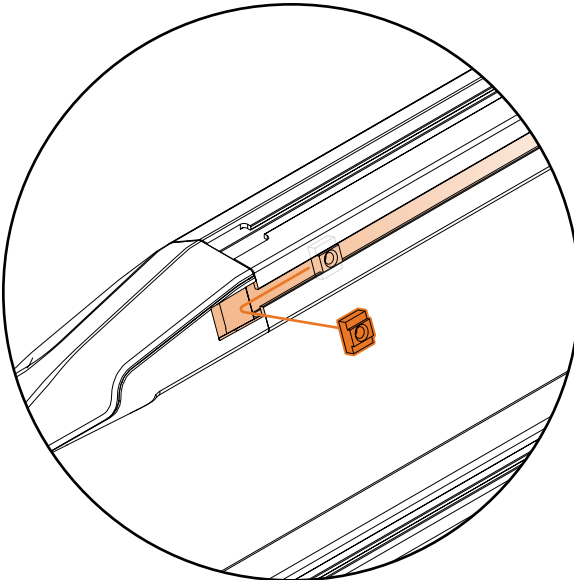
**Torque M5 x 10 bolts to 5 Nm
Do not overtighten**

Crossbar Installation

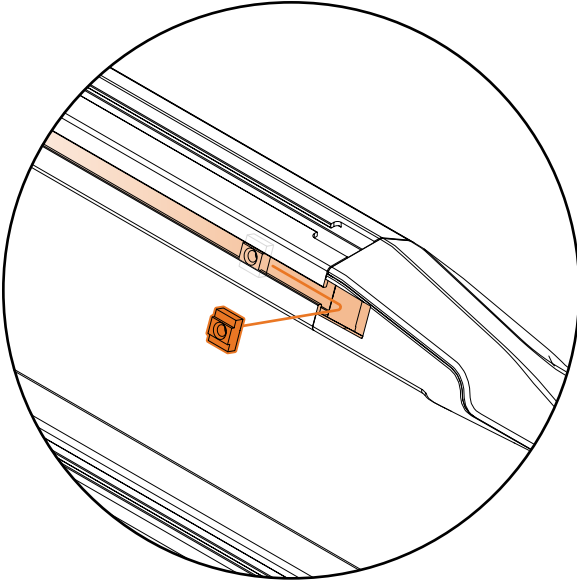
- 1 Loosen the Crossbar Bolt in the orange-colored nut.



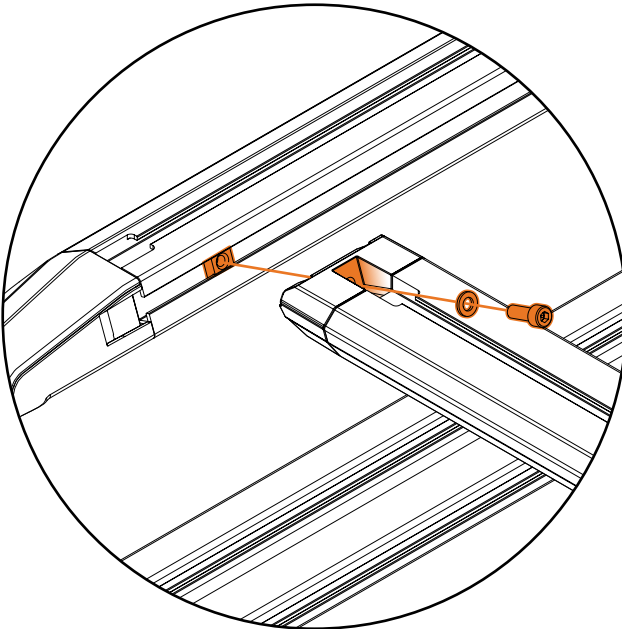
- 2 Slide T-Nut in Driver Side Upper T-Channel



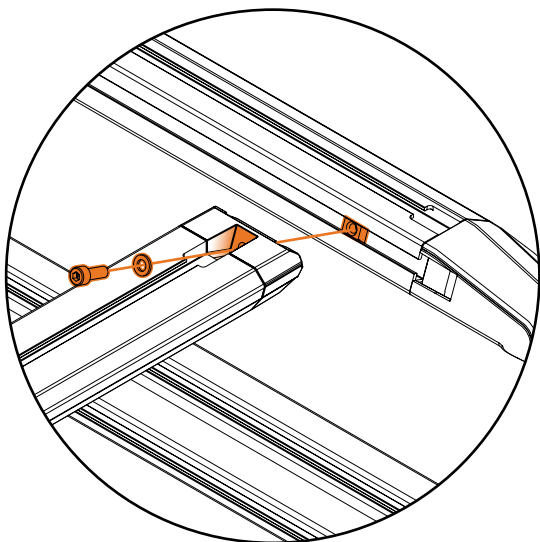
- 3 Slide T-Nut into Passenger Side Upper T-Channel



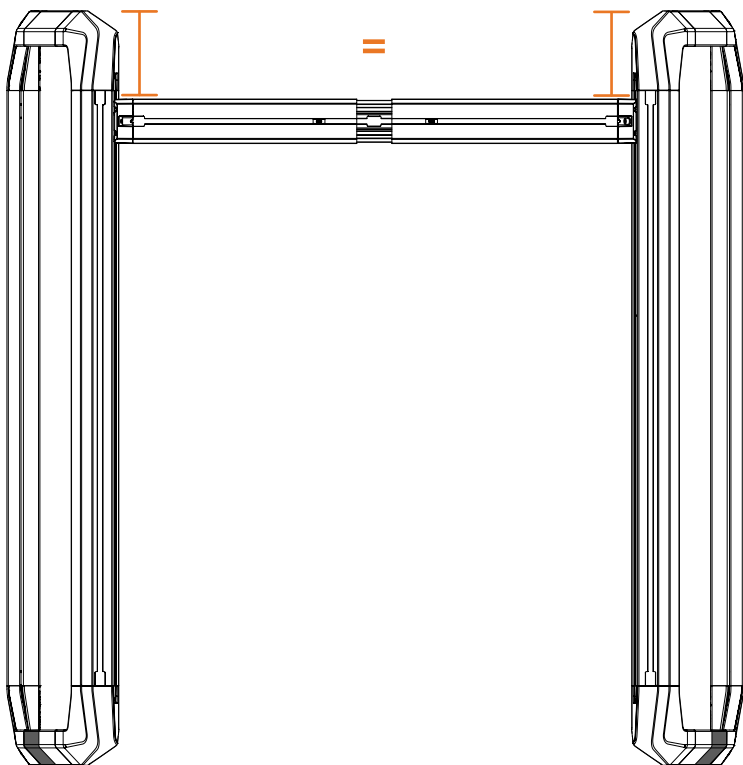
- 4 Align Crossbar to Driver Side and install M8 washer, and M8 x 22 bolt into T-Nut. **Do not fully tighten.**



- 5 Align Crossbar to Passenger Side and install M8 washer, and M8 x 22 bolt into T-Nut. **Do not fully tighten.**

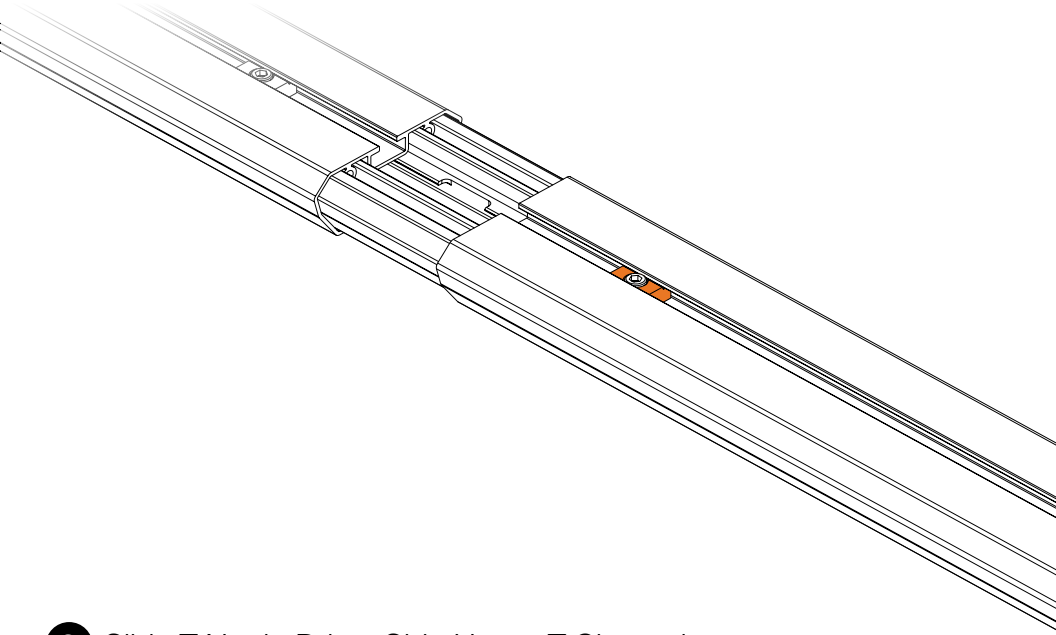


- 6 Ensure distance between the opening of the T-Channel is equal on both Driver and Passenger sides.

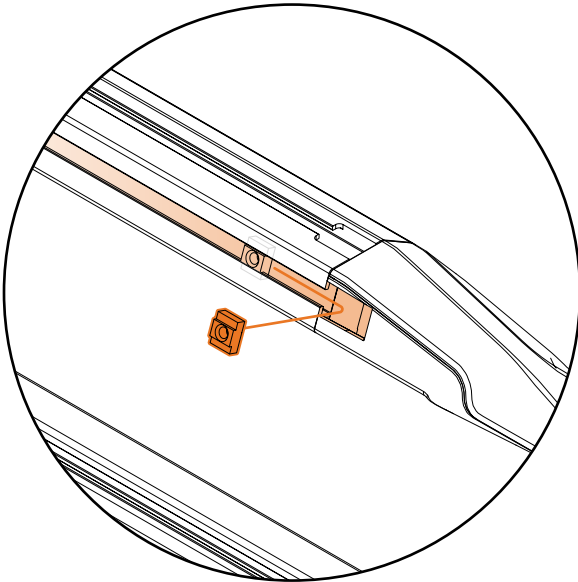


Crossbar Installation Continued

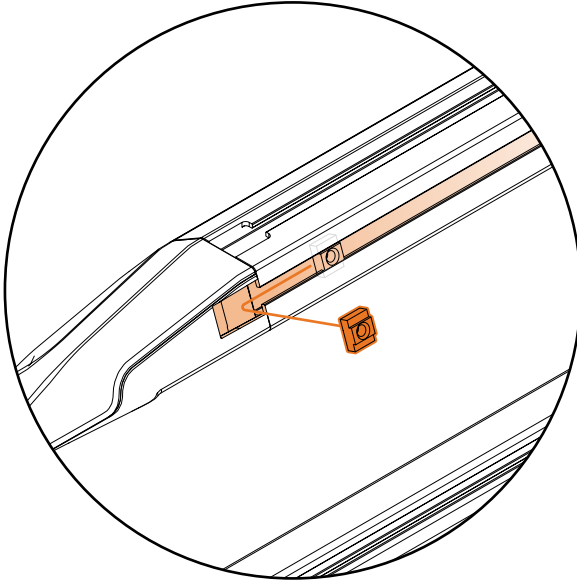
- 1 Loosen Crossbar Bolt in the orange-colored nut.



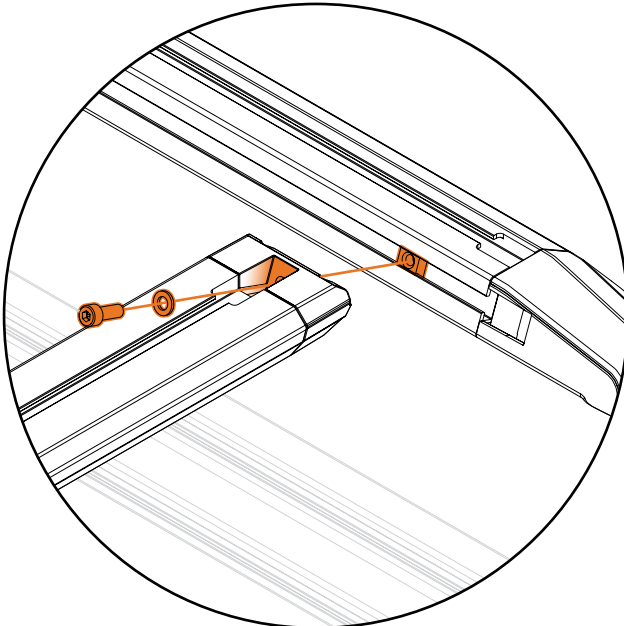
- 2 Slide T-Nut in Driver Side Upper T-Channel



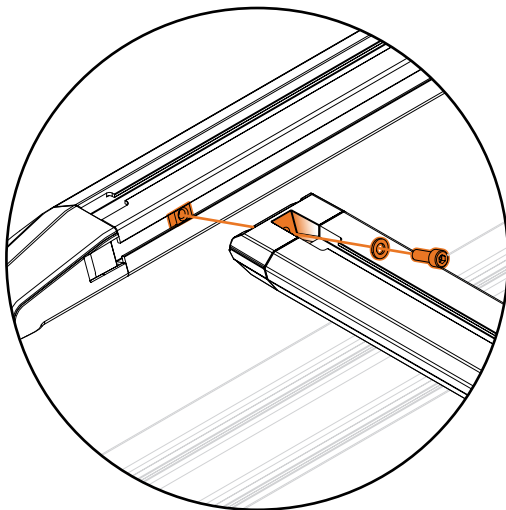
3 Slide T-Nut in Passenger Side Upper T-Channel



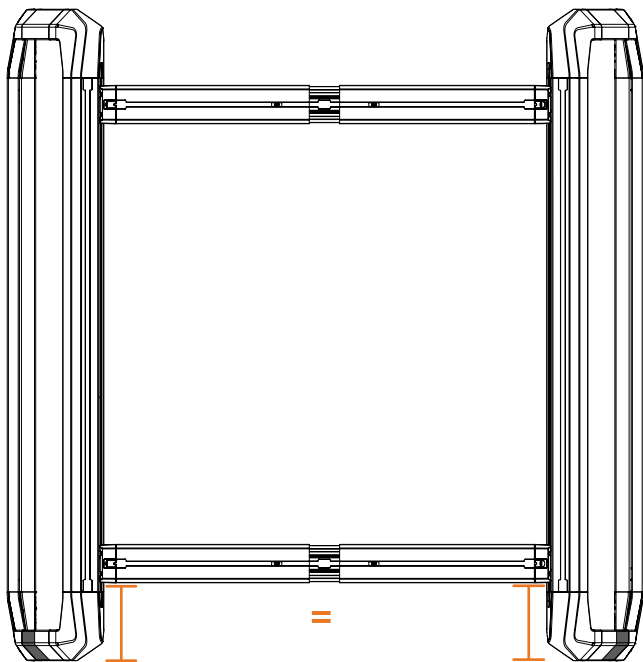
4 Align Crossbar to Driver Side and install M8 washer, and M8 x 22 bolt into T-Nut. **Do not fully tighten.**



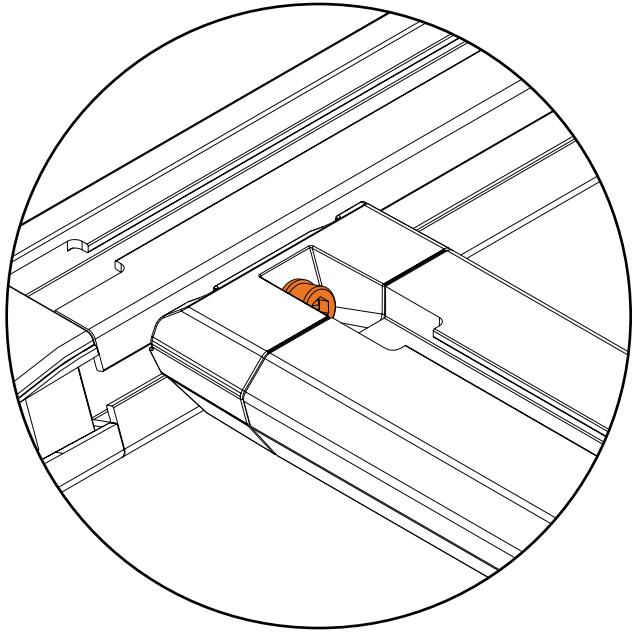
- 5 Align Crossbar to Passenger Side and install M8 washer, and M8 x 22 bolt into T-Nut. **Do not fully tighten.**



- 6 Ensure distance between the opening of the T-Channels and the Crossbar is equal on both Driver and Passenger sides.

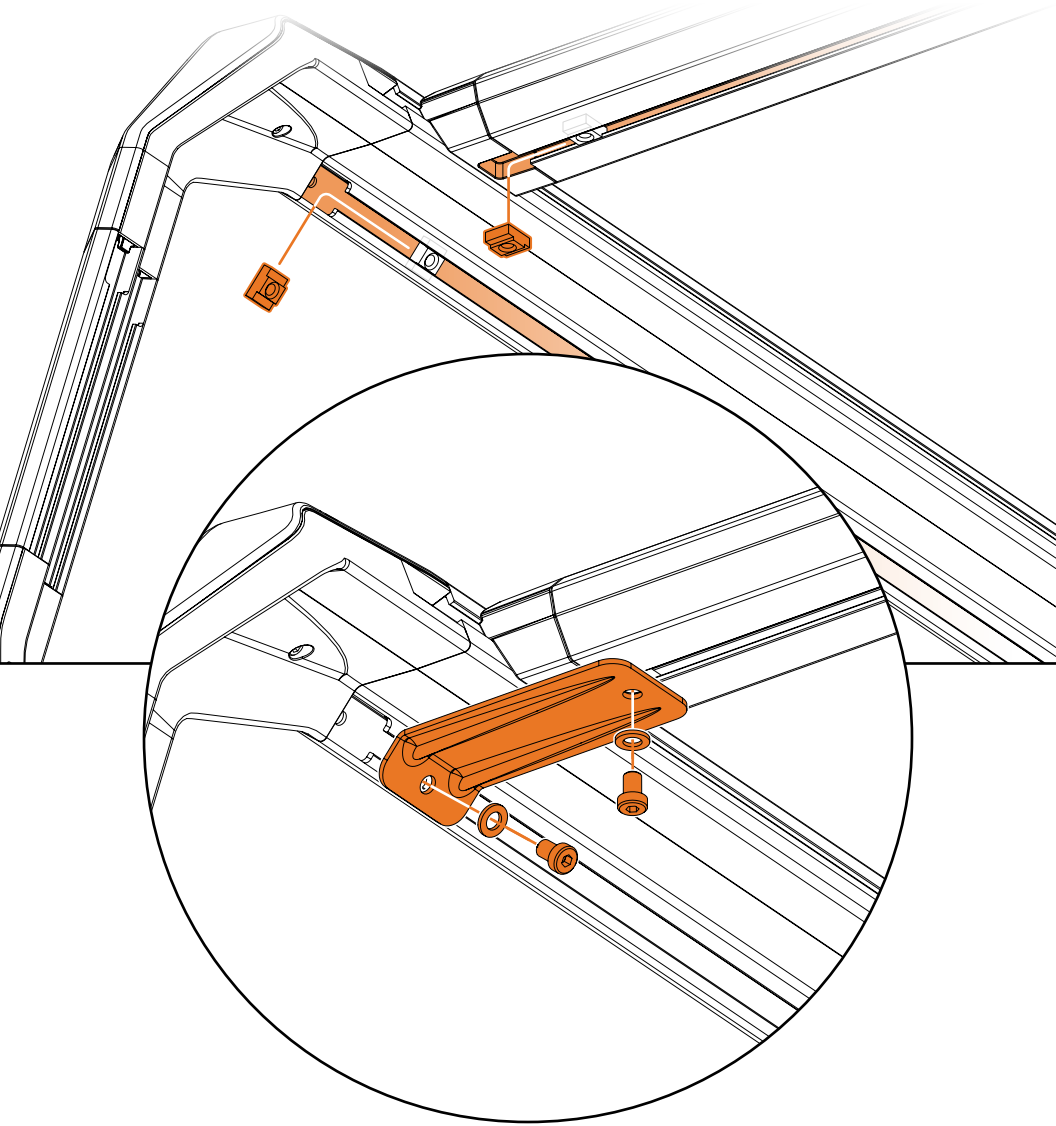


7 Torque Crossbar Connection
Bolts to **24 Nm**.



IBEX™ Frame Stiffeners

- 1 Slide (2) T-Nuts into T-Channels on IBEX™ and Crossbar.

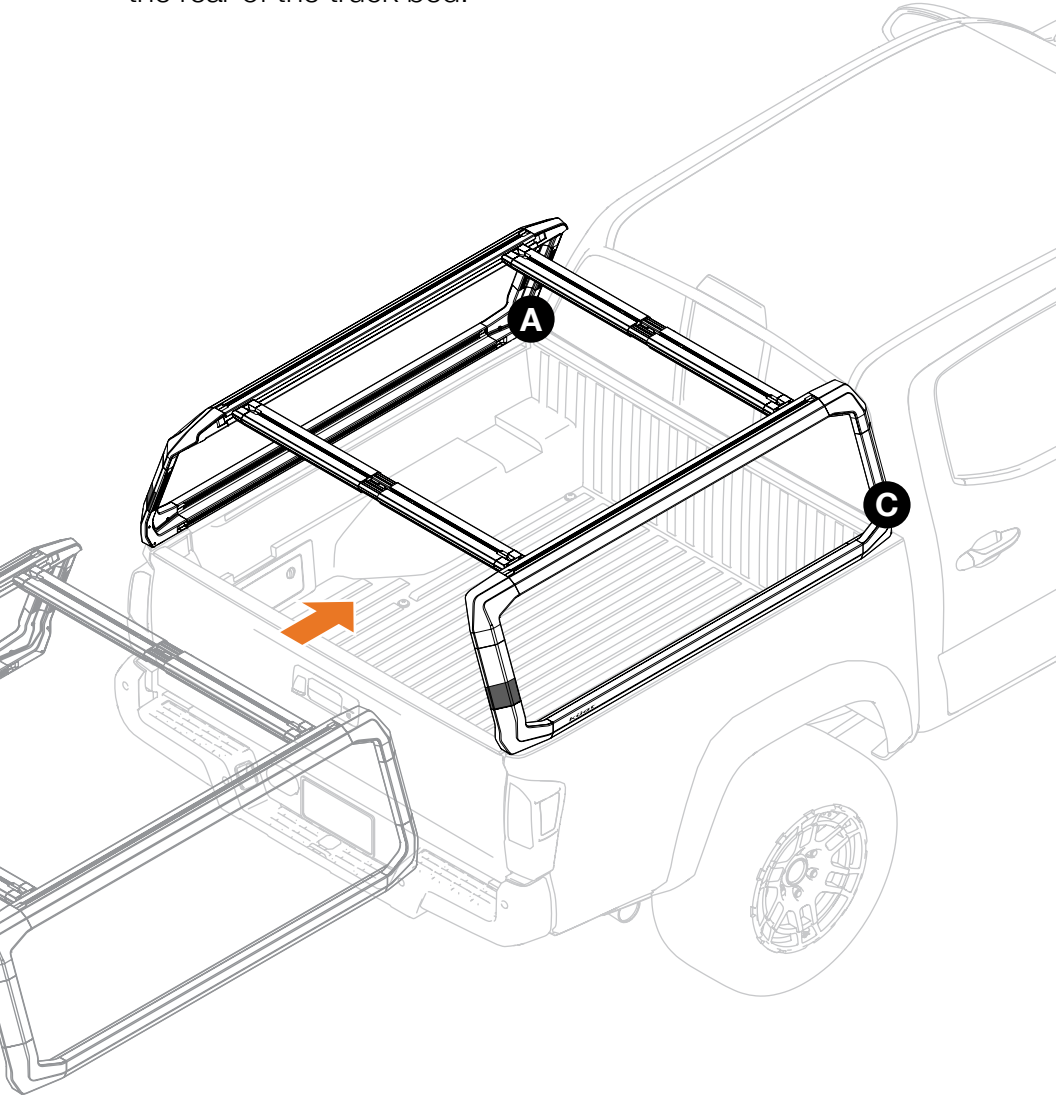


- 2 Install Stiffener, (2) M8 washers, and (2) M8 x 12 bolts into T-Nuts. Torque to **20 Nm**. **Do not overtighten.**

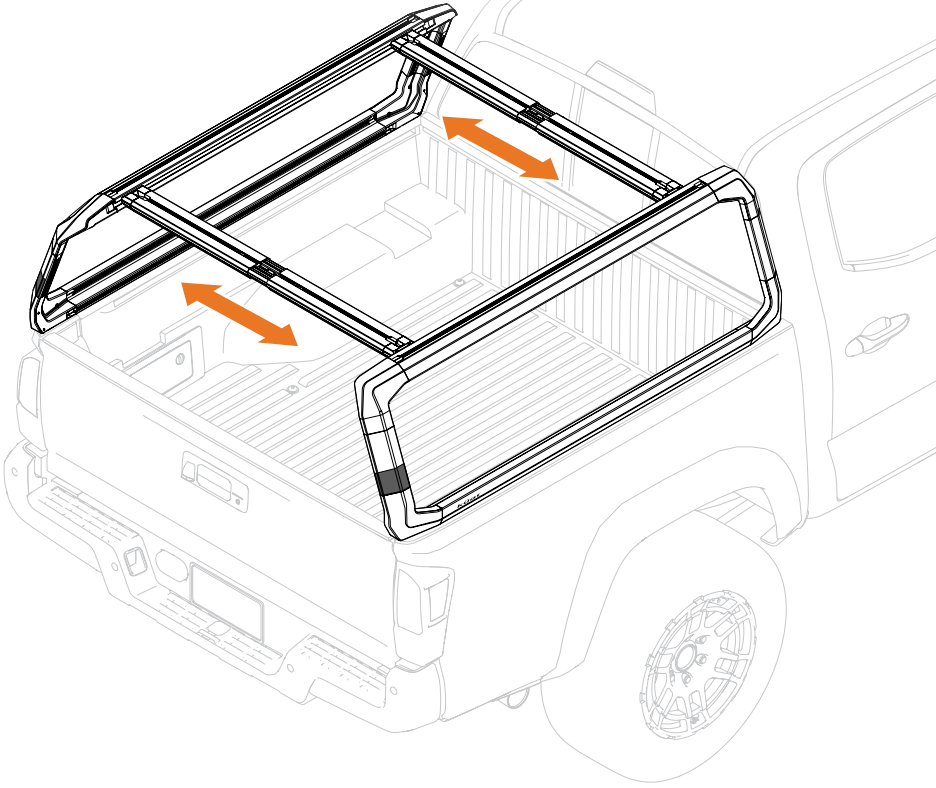
Repeat this process for the three remaining corners.

Placing IBEX™ on Truck

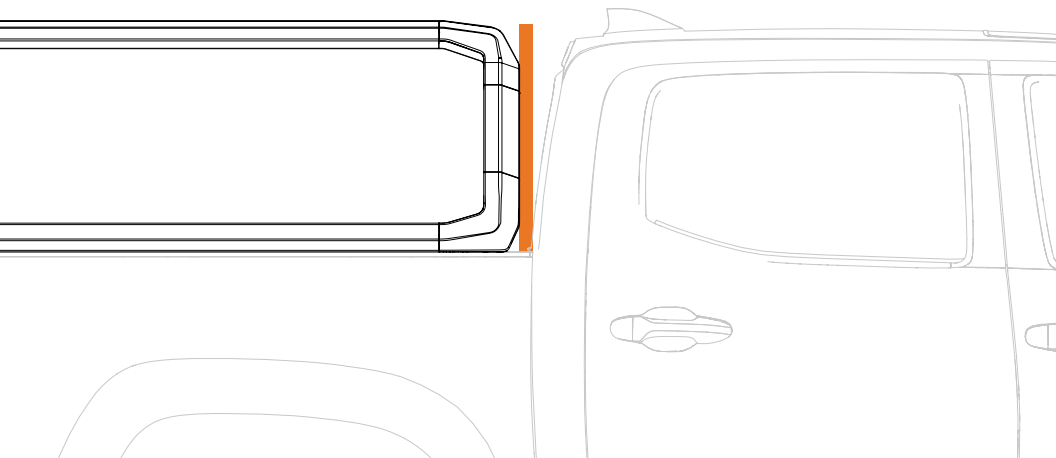
- 1 Team lift the assembled IBEX™ onto truck bed ensuring parts **A** and **C** face truck cab. The decorative strip should sit in the rear of the truck bed.



- 2 With orange-colored bolts still loosened, adjust from side to side to ensure IBEX™ sits evenly on truck bed frame.



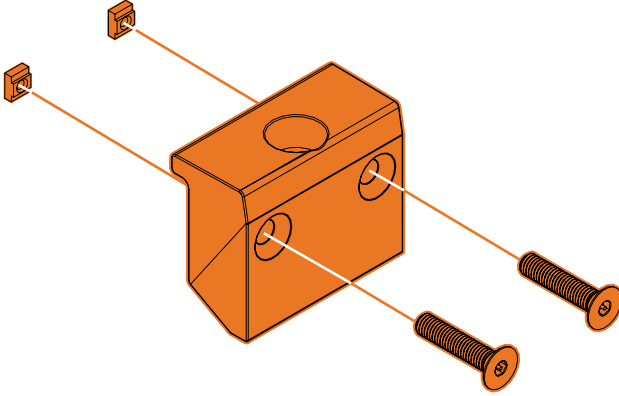
- 3 Leave at least 1.5" of clear space between frame and truck cab.



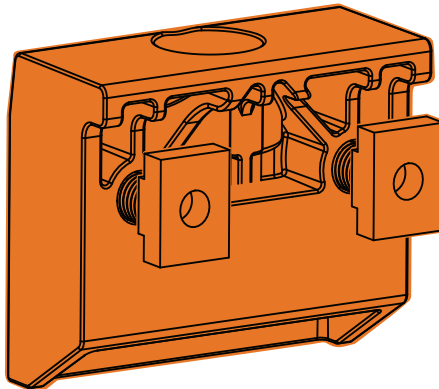
Bed Rail Clamp

(For trucks without bed rail T-Channels)

- 1 Install (2) T-Nuts onto the Upper Clamp using (2) M8 x 38 bolts.



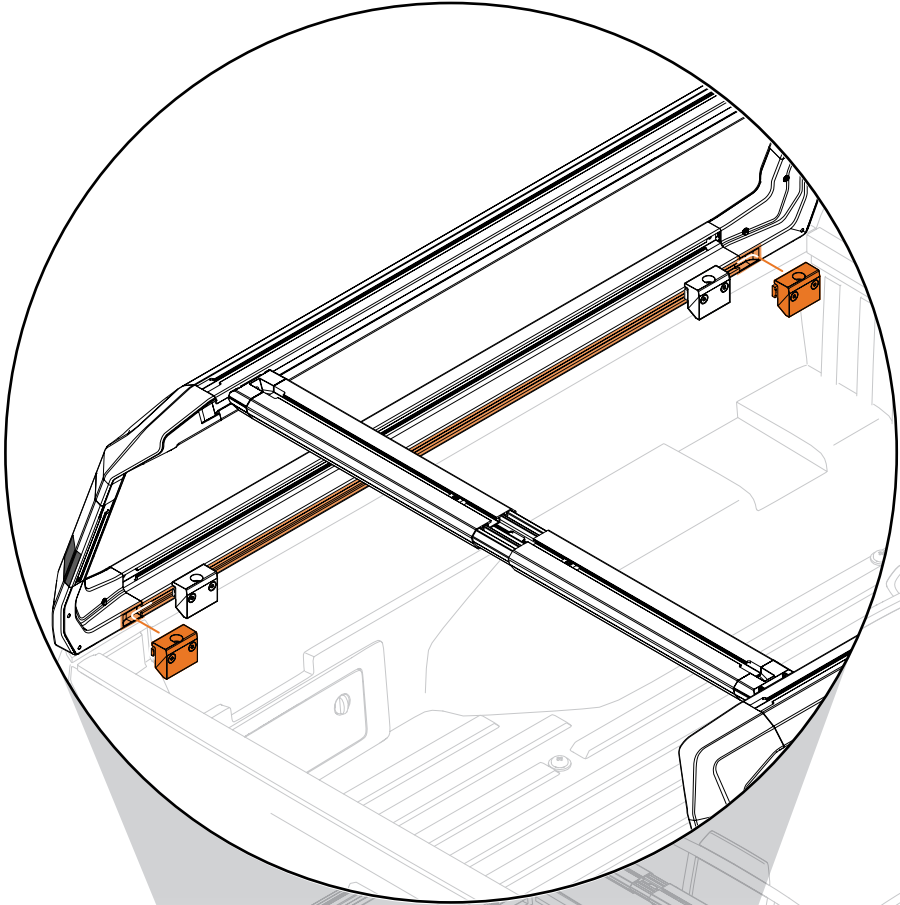
- 2 T-Nuts should remain loose on the Clamp to ensure fit inside T-Channel.



Bed Rail Clamp

(For trucks without bed rail T-Channels)

- 3 Install Upper Clamps into lower T-Channels on IBEX™.
Torque M8 x 38 bolts to 29 Nm. Do not overtighten.

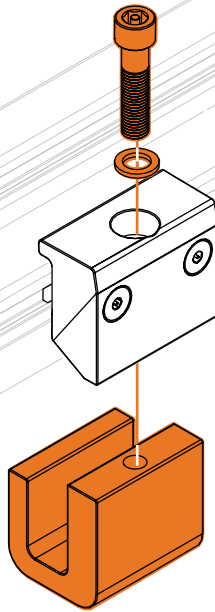


Ensure a minimum of 30" between placement of each Bed Rail Clamp.

Bed Rail Clamp

(For trucks without bed rail T-Channels)

- 4 Install U-Connector into Upper Clamp using (1) M10 x 50 bolt and M10 washer. Repeat this process for the three remaining Bed Rail Clamps.



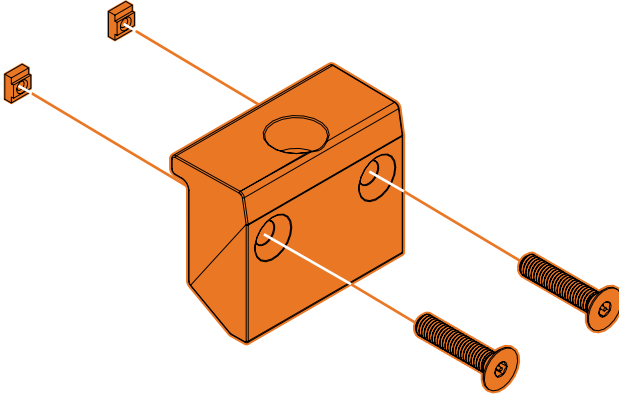
**Torque M10 bolts to 30-38 Nm
Do not overtighten**

- 5 Skip to the Crossbar Tightening section of the user guide.

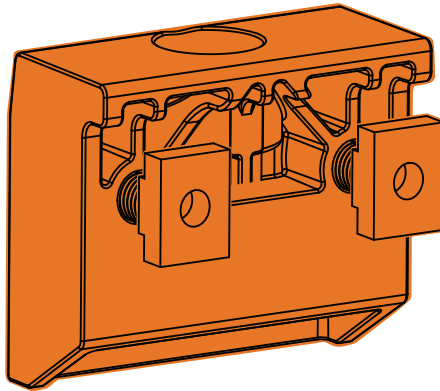
T-Channel Clamp

(For trucks with bed rail T-Channels)

- 1 Install (2) T-Nuts onto the Upper Clamp using (2) M8 x 38 bolts.



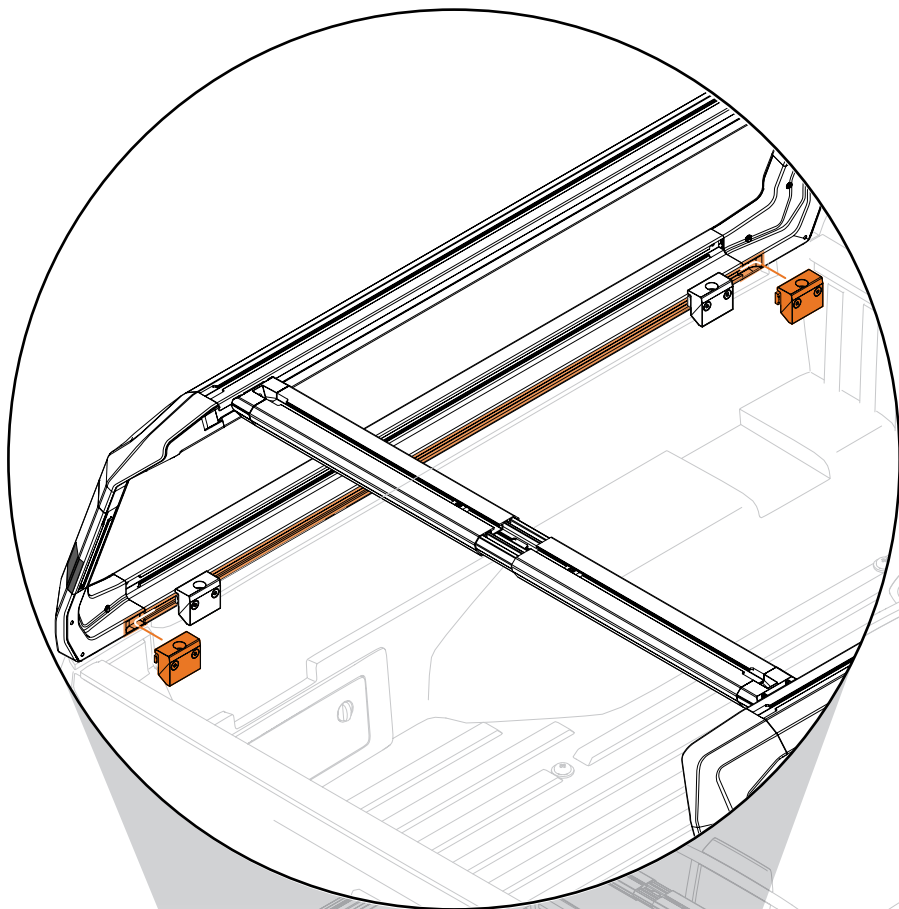
- 2 T-Nuts should remain loose on the Clamp to ensure fit inside T-Channel.



T-Channel Clamp

(For trucks with bed rail T-Channels)

- 3 Install Upper Clamps into lower T-Channels on IBEX™.
Torque M8 x 38 bolts to 29 Nm. Do not overtighten.

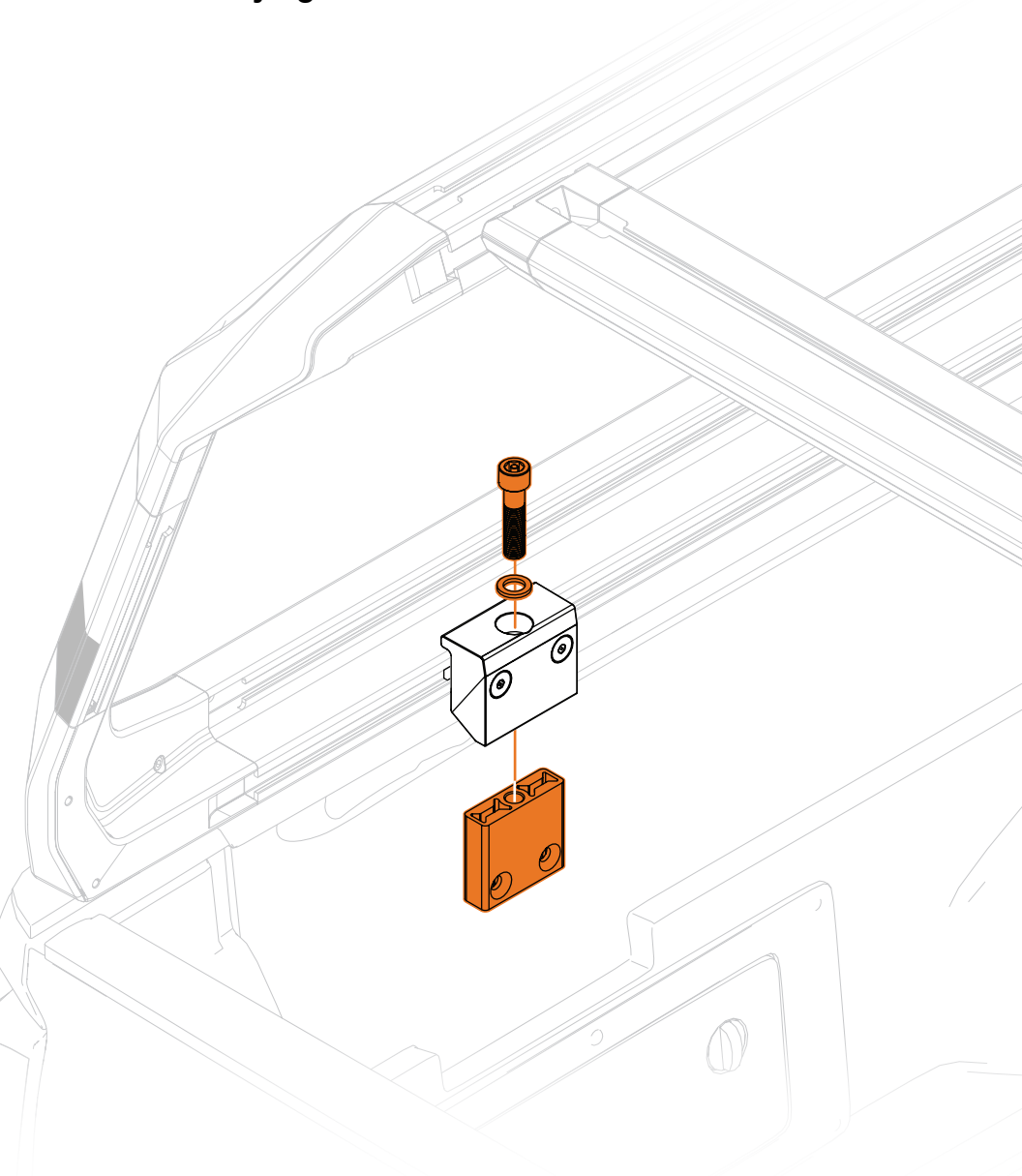


Ensure a minimum of 30" between placement of each Bed Rail Clamp.

T-Channel Clamp

(For trucks with bed rail T-Channels)

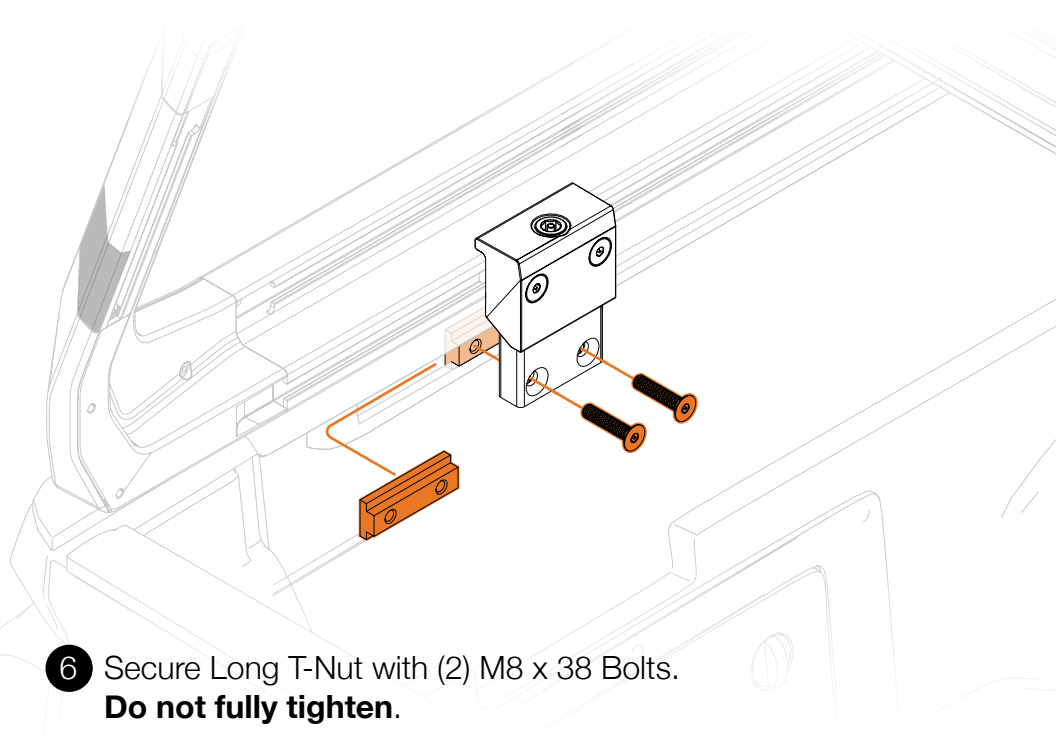
- 4 Install Lower Clamp using (1) M10 x 50 bolt and (1) M10 washer.
Do not fully tighten.



T-Channel Clamp

(For trucks with bed rail T-Channels)

- 5 Insert Long T-Nut into bed frame T-Channel.



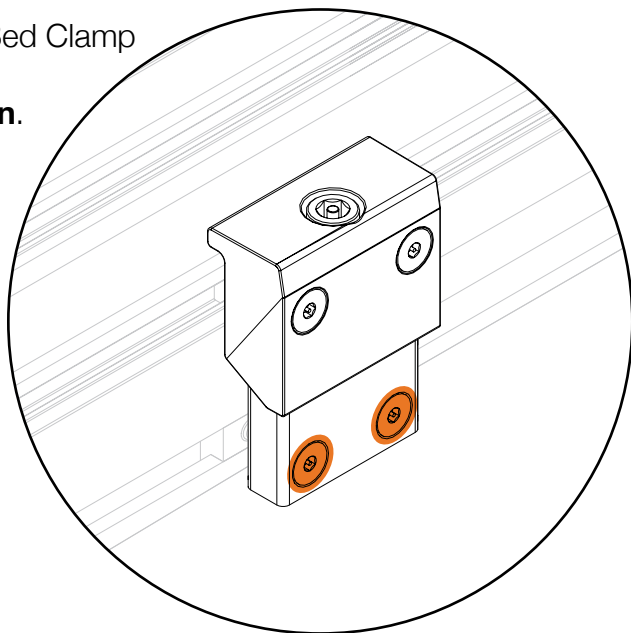
- 6 Secure Long T-Nut with (2) M8 x 38 Bolts.
Do not fully tighten.

- 7 Repeat this process for the three remaining T-Channel Bed Clamp locations.

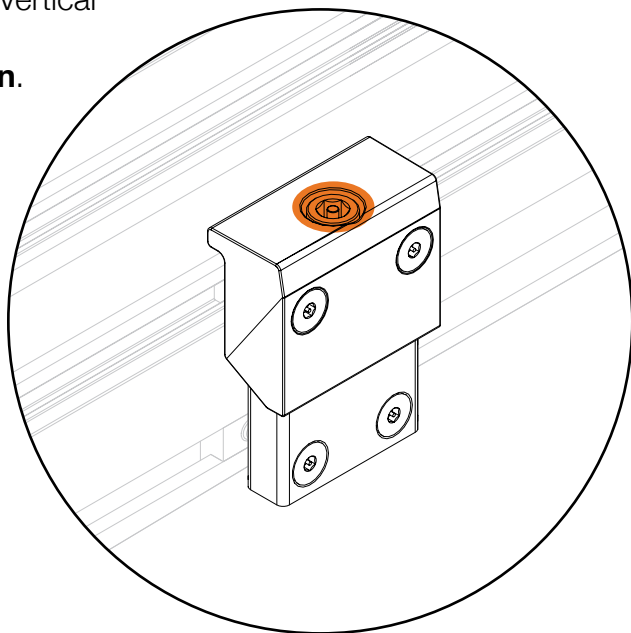
Tightening onto T-Channel

Fully tighten the installed components of your IBEX™ in this order:

- 1 Torque Horizontal Bed Clamp Bolts to **20-24 Nm**.
Do not overtighten.

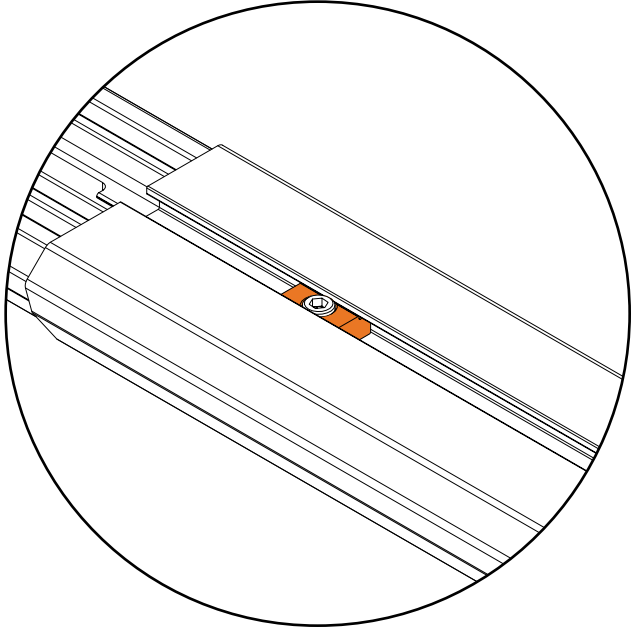


- 2 Torque Bed Clamp Vertical Bolts to **30-38 Nm**.
Do not overtighten.



Crossbar Tightening

- 1 Torque Crossbar Bolt in the orange nuts to **15 Nm**.
Do not overtighten.



Warnings

IBEX™

WARNINGS

- Follow instructions for proper assembly, installation and use.
- Check tightness of all bolts and screws periodically.
- Make sure rack is in working condition before each use.
- Do not exceed the weight limits intended for this rack.
 - 1,200 lb. static weight capacity
 - 300 lb. dynamic weight capacity
- This product is not designed for and should not be used on terrain which requires aftermarket upgrades to your 4WD suspension, or use that includes rock-crawling, jumping, bogging, or high speed off road driving. An experienced overland driver is required to take into consideration the speed of the vehicle and the total weight of the vehicle load and its distribution when encountering rutted and/or rocky terrain when using this product, and must reduce the load, speed, or both as necessary.
 - Smooth gravel roads are not considered off-road.
- Do not take through automatic car wash.
- Drive responsibly.

If you have questions or problems, please contact Küat Racks directly by calling toll free 1(877)822-KUAT, or by email: info@kuat.com

ADVERTENCIAS

- Siga las instrucciones para un montaje, instalación y uso
- Verifique periódicamente el apriete de todos los pernos y tornillos.
- Asegúrese de que el portaequipajes estén en buenas condiciones antes de cada uso.
- No supere los límites de peso previstos para este bastidor.
 - Capacidad de peso estático de 544kg
 - Capacidad de peso dinámico de 136kg
- Este producto no está diseñado y no debe usarse en terrenos que requieran mejoras de posventa en su suspensión 4WD, o uso que incluya arrastrarse por rocas, saltar, hacer bogging o conducir a alta velocidad fuera de la carretera. Se requiere que un conductor terrestre experimentado tenga en cuenta la velocidad del vehículo y el peso total de la carga del vehículo y su distribución cuando encuentre terreno con baches y/o rocoso al usar este producto, y debe reducir la carga, la velocidad o ambas según sea necesario. necesario.
 - Los caminos de ripio liso no se consideran fuera de la carretera.
- No pase por lavado automático de autos.
- Conduzca con responsabilidad.

AVERTISSEMENTS

- Suivez les instructions pour un assemblage, une installation et une utilisation appropriés.
- Vérifiez périodiquement le serrage de tous les boulons et vis.
- Assurez-vous que le porte-bagages sont en bon état de fonctionnement avant chaque utilisation.
- Ne dépassez pas les limites de poids prévues pour ce rack.
 - Capacité de poids statique de 544kg
 - Capacité de poids dynamique de 136kg
- Ce produit n'est pas conçu et ne doit pas être utilisé sur des terrains qui nécessitent des mises à niveau de rechange de votre suspension 4WD, ou une utilisation qui inclut l'escalade de roches, les sauts, les embourbages ou la conduite hors route à grande vitesse. Un conducteur terrestre expérimenté doit prendre en considération la vitesse du véhicule et le poids total de la charge du véhicule ainsi que sa répartition lorsqu'il rencontre un terrain accidenté et/ou rocheux lors de l'utilisation de ce produit, et doit réduire la charge, la vitesse ou les deux selon le cas. nécessaire.
 - Les routes en gravier lisse ne sont pas considérées comme hors route.
- Ne passez pas dans un lave-auto automatique.
- Conduisez de façon responsable.

NO WORRIES LIMITED WARRANTY

We stand behind our products, and our customer service reps are waiting to help you out if you have any problems with your product. Our limited warranty covers your purchase for life. You can review our limited warranty on our website or call customer service at the number below if you have questions or need a repair, replacement, refund, or a copy of the limited warranty.

www.kuat.com/warranty

Questions or comments?

Drop us an email or call us directly!

kuat.com | info@kuat.com | [877.822.5828](tel:877.822.5828)

kuat[®]

1.877.822.5828

info@kuat.com

kuat.com