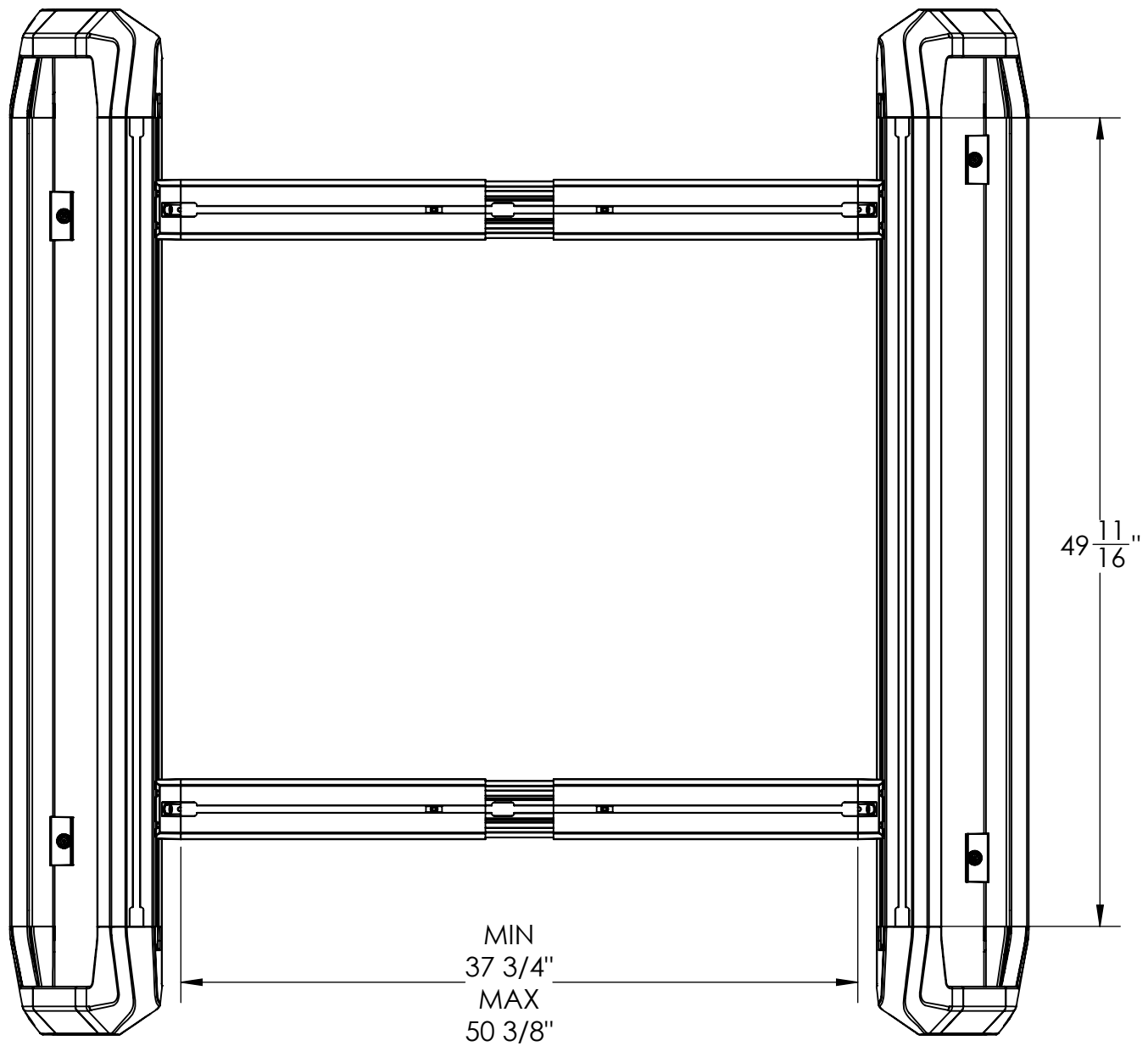
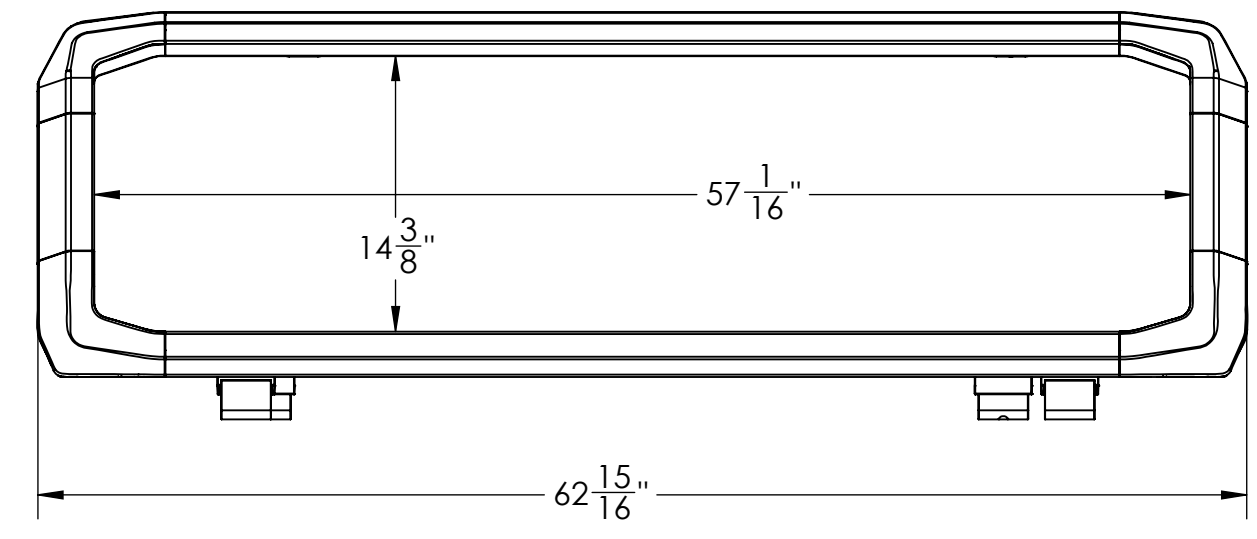
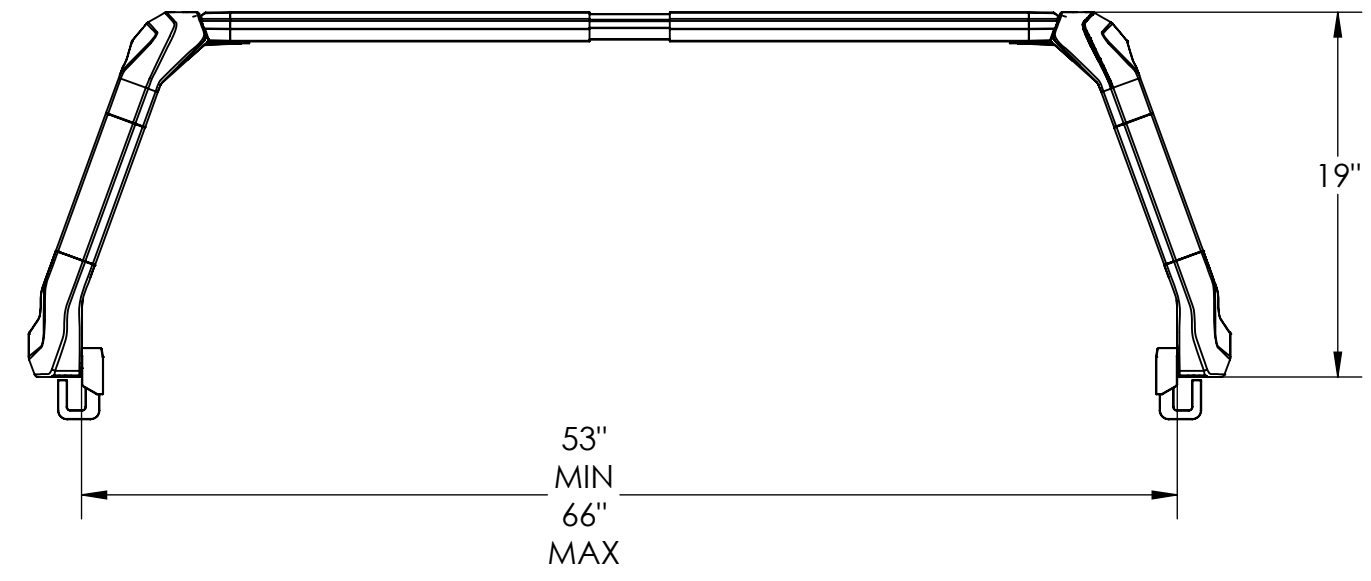
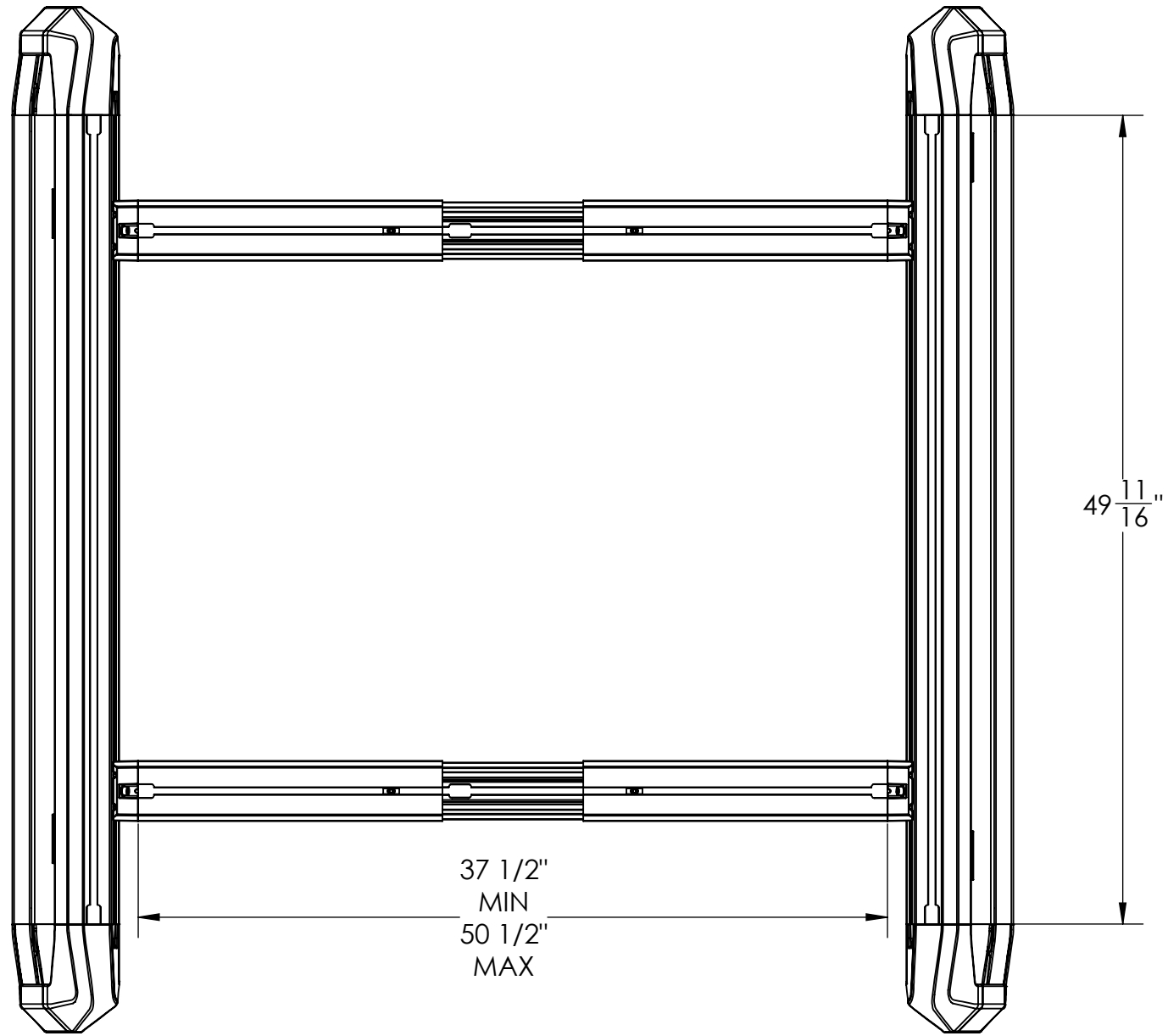


IBEXA1
MID SIZE TRUCK - SHORT BED



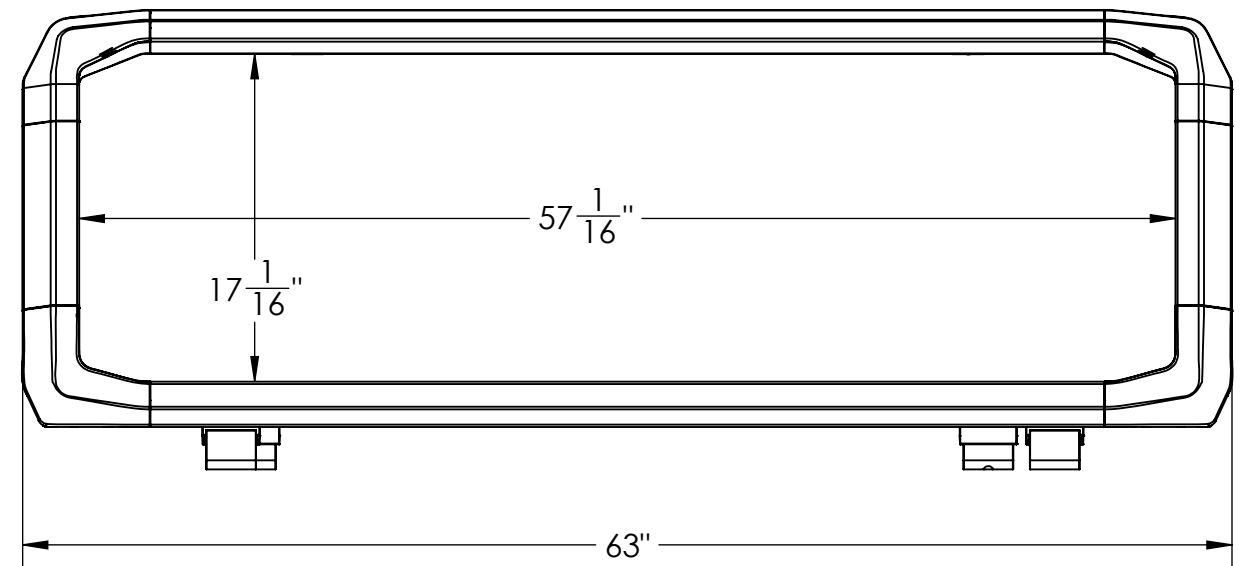
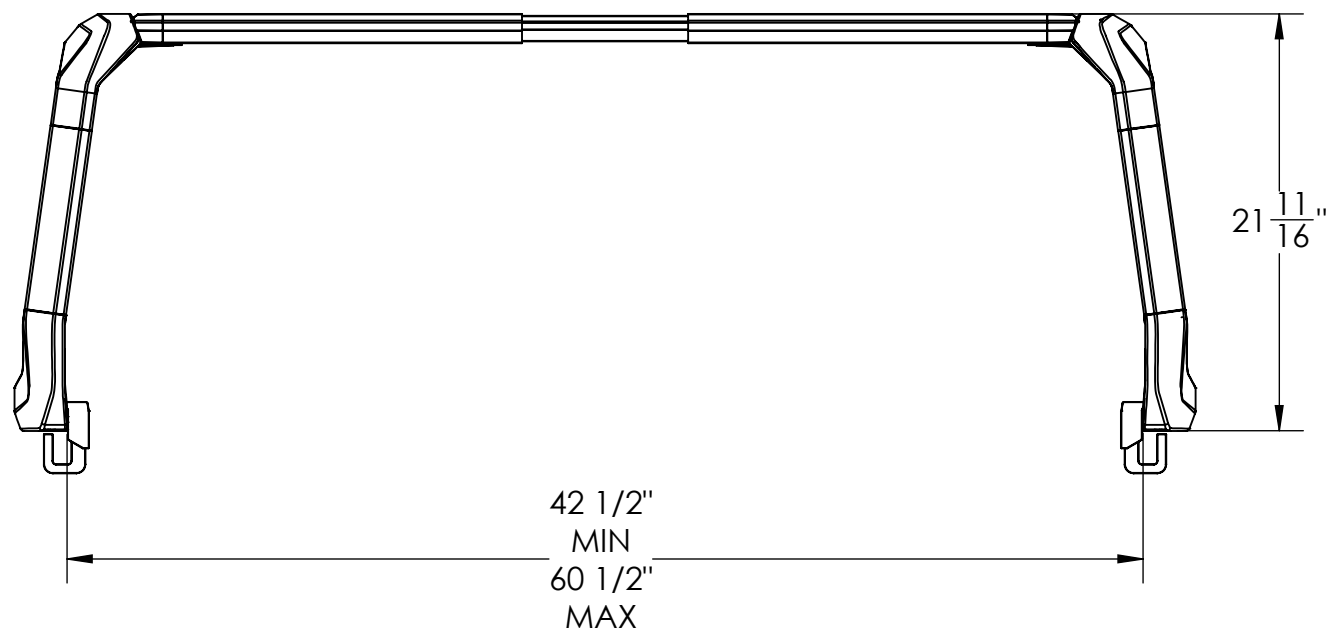
Mid Height Configuration

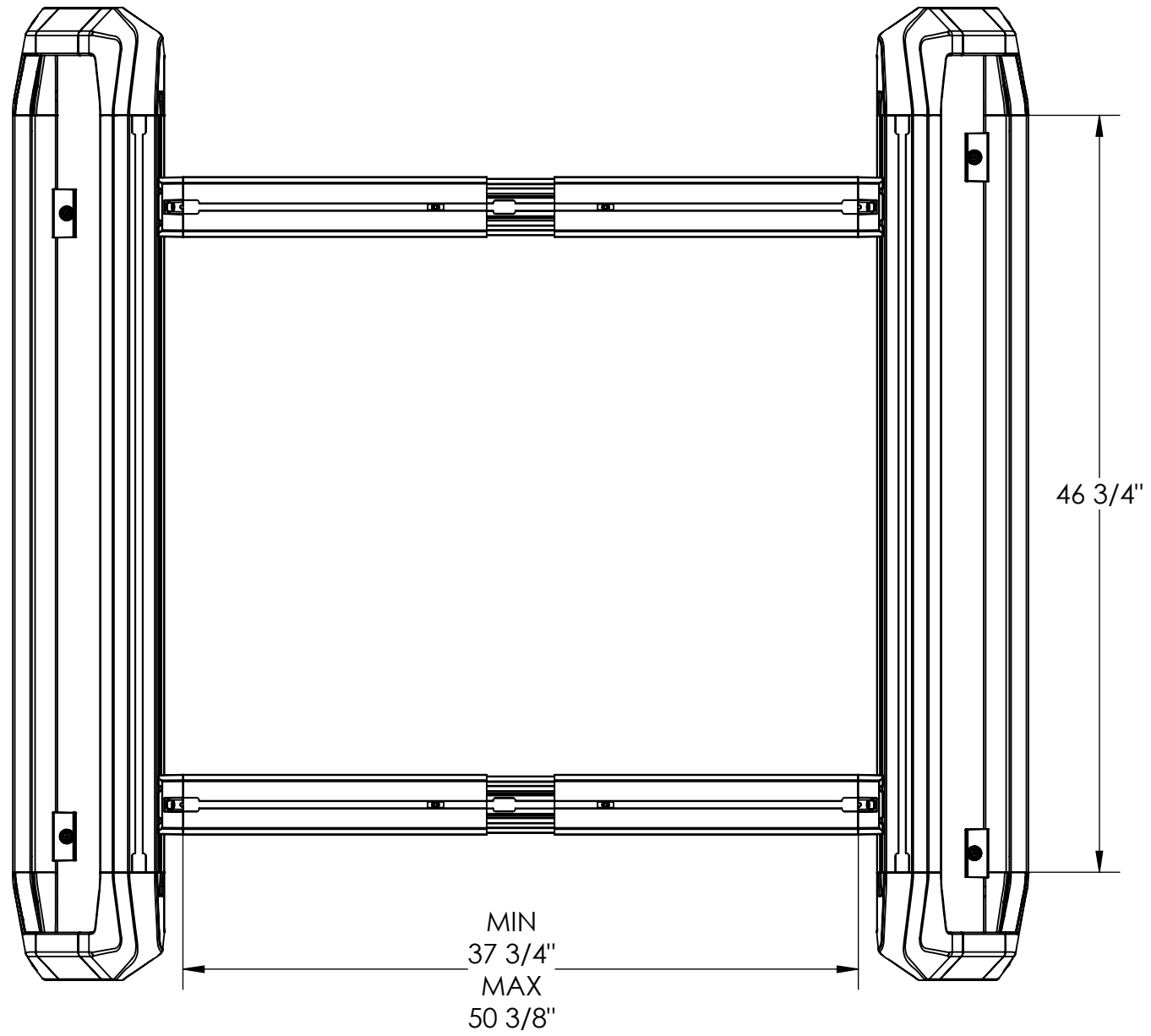




IBEXA2
GLADIATOR

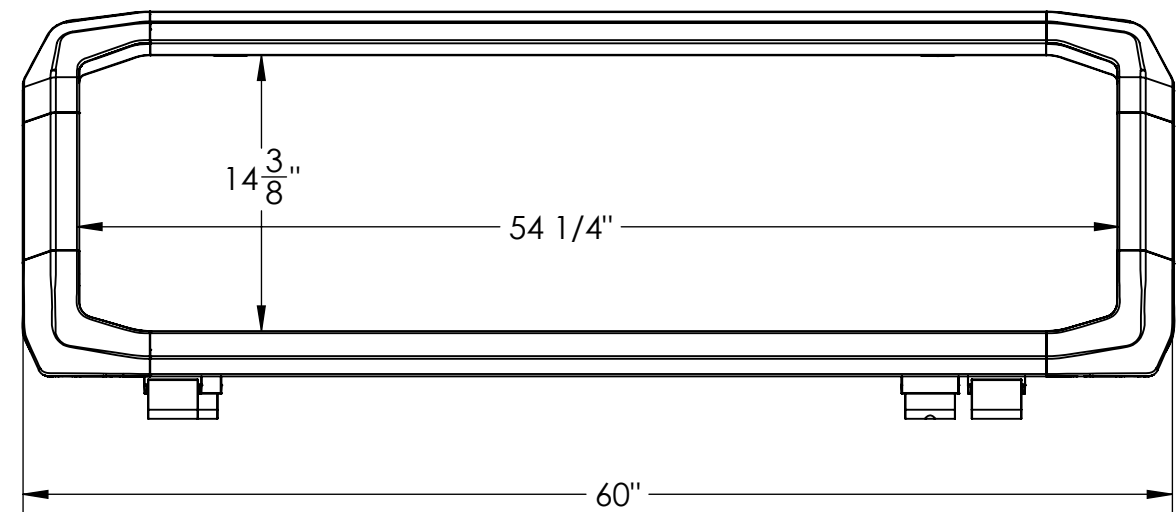
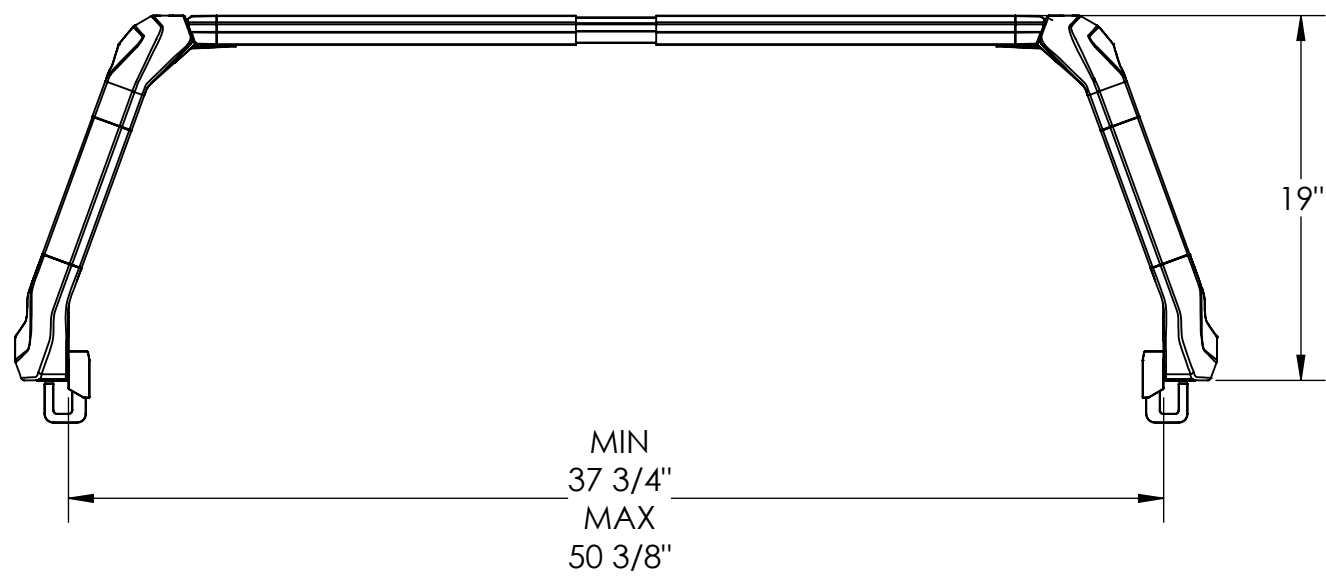
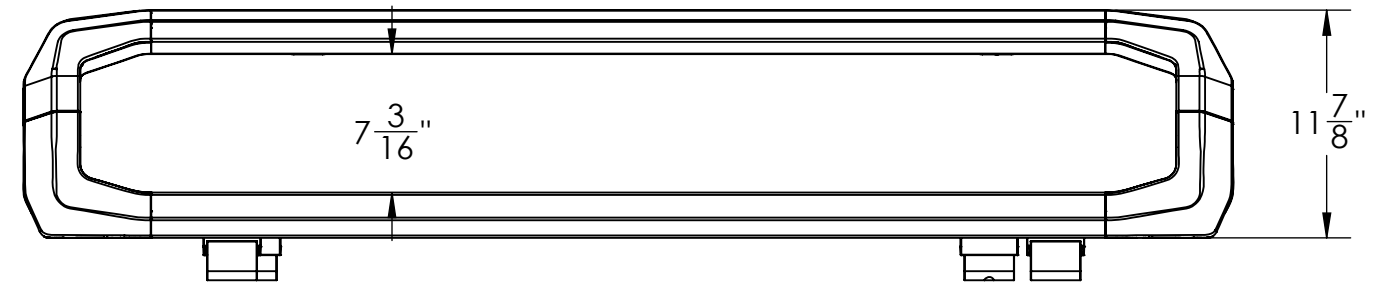
Mid Height Configuration

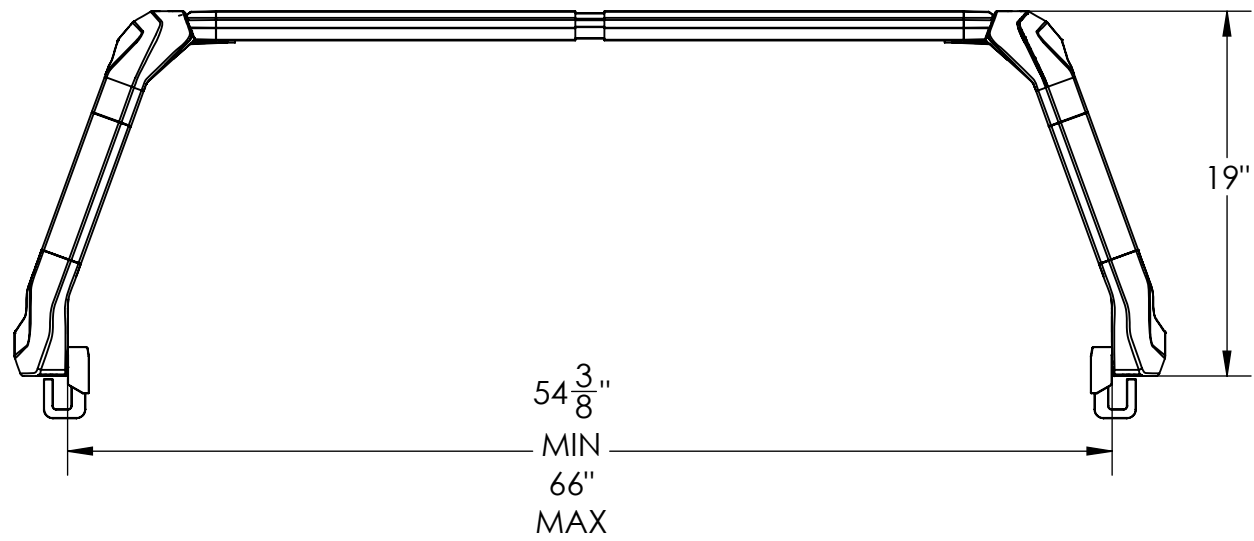
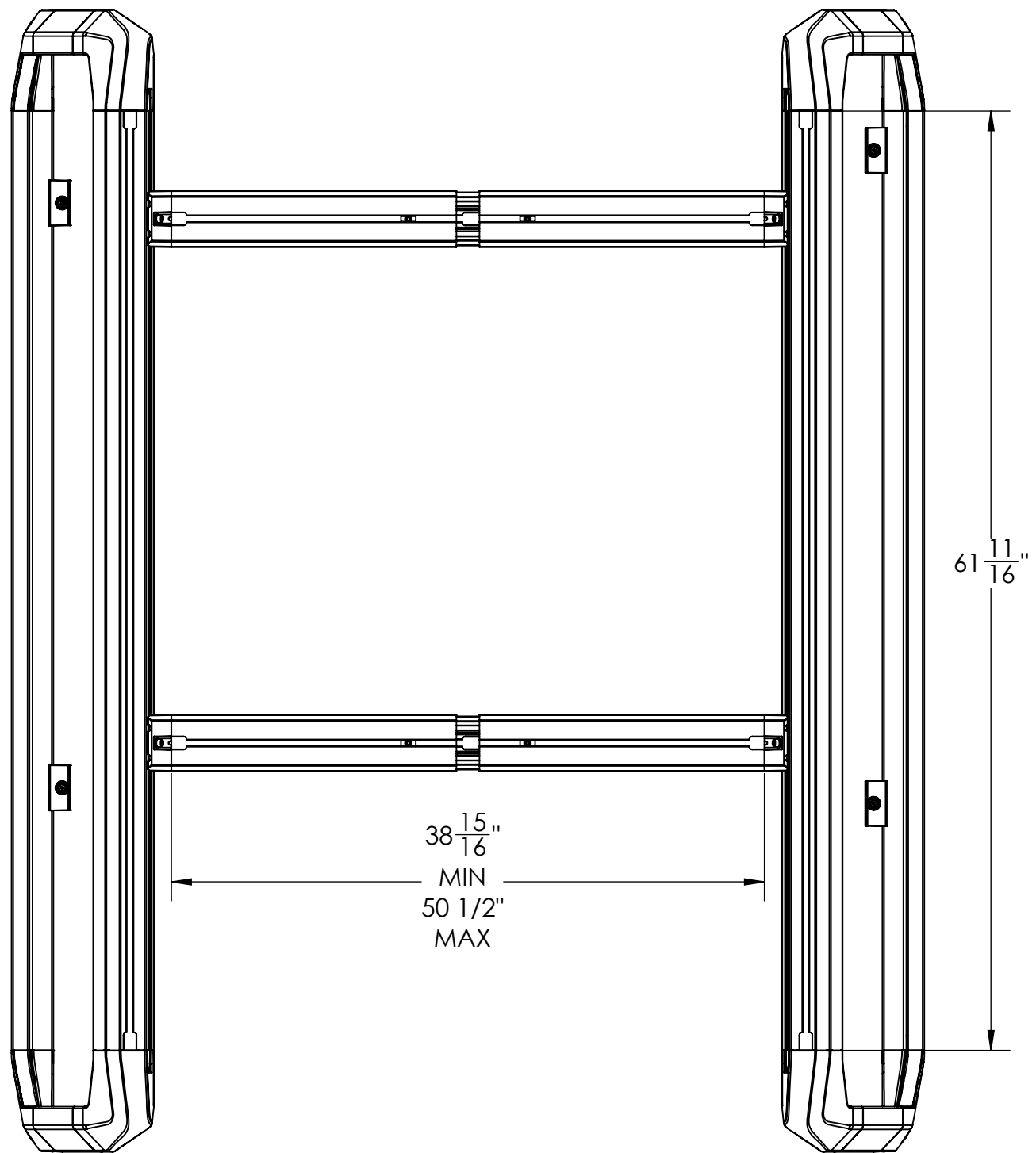




IBEXA3
HEAVY DUTY SHORT BED

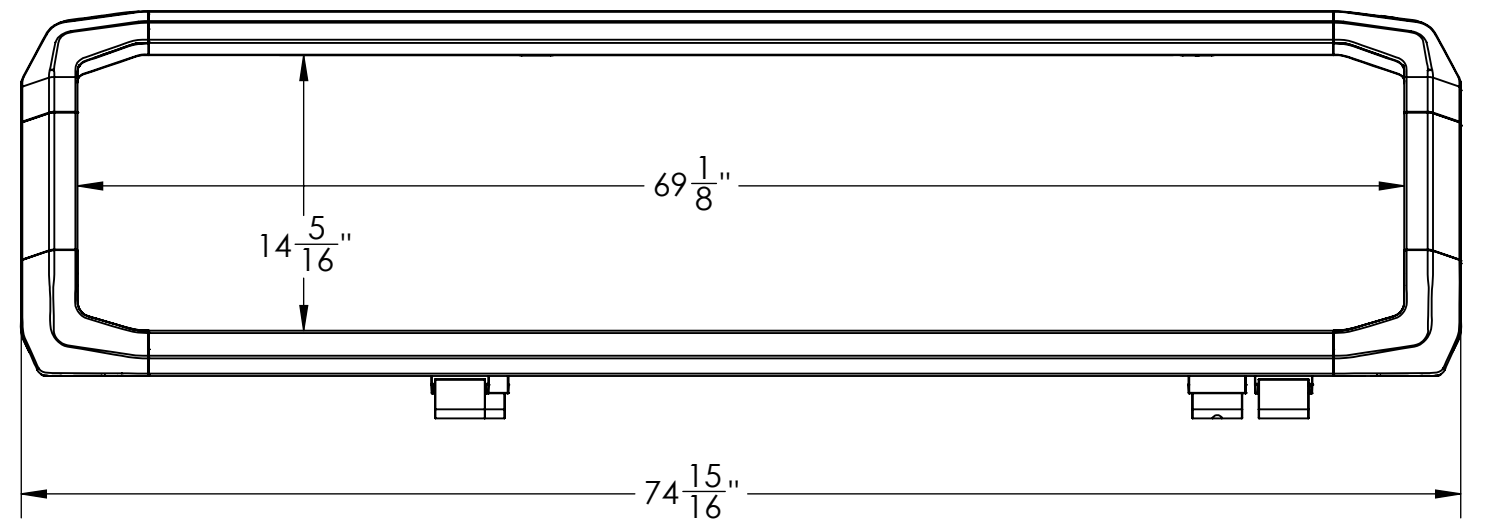
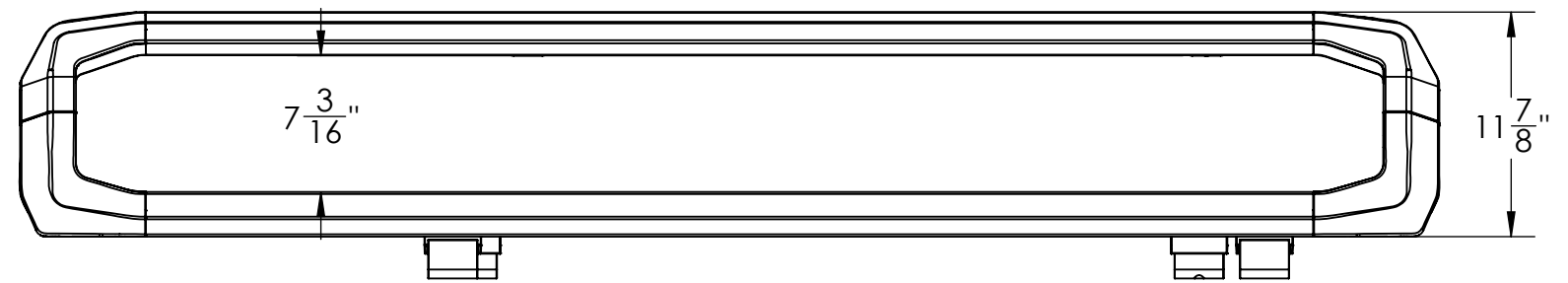
Mid Height Configuration

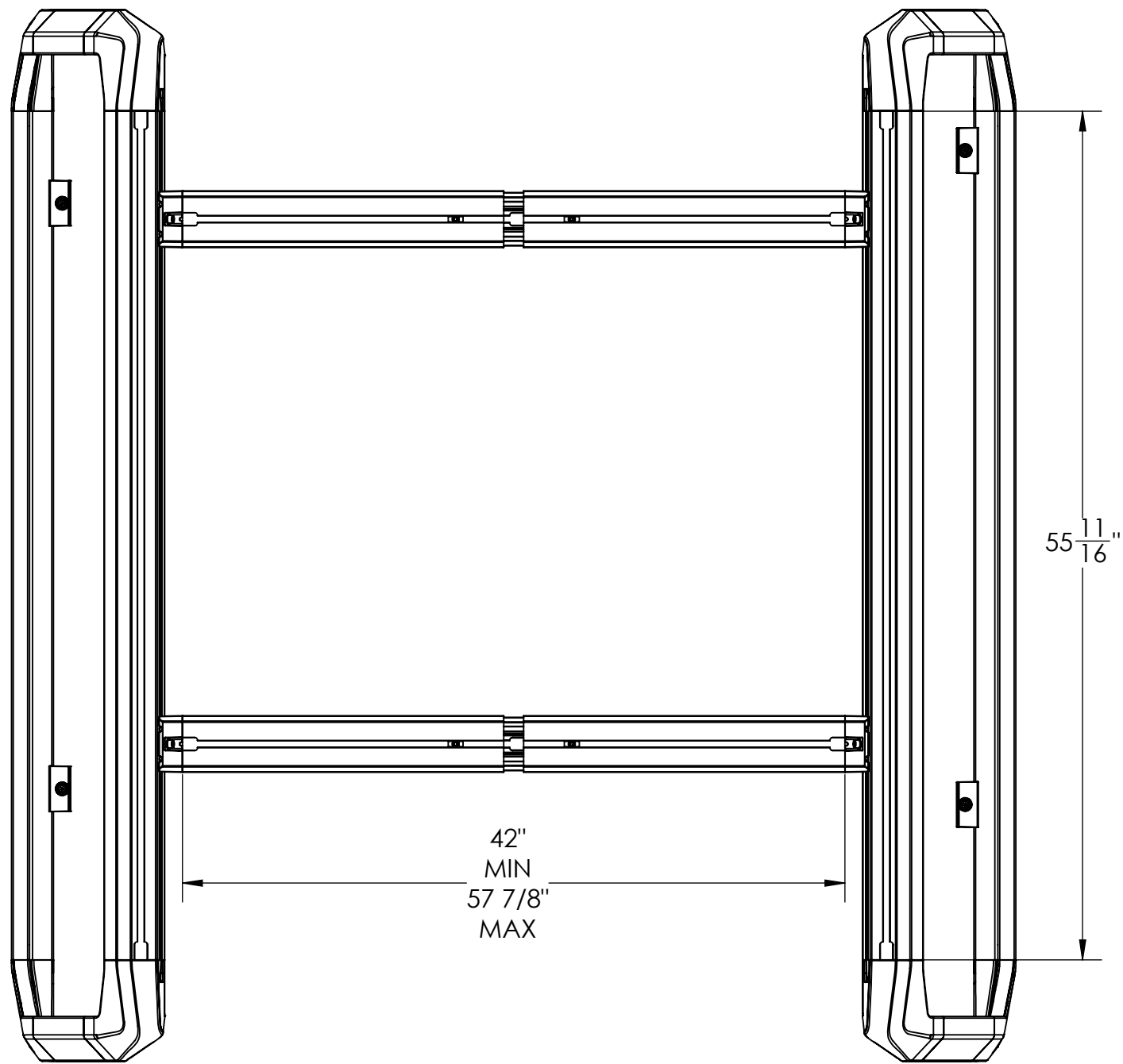




IBEXC1
MID SIZE TRUCK - LONG BED

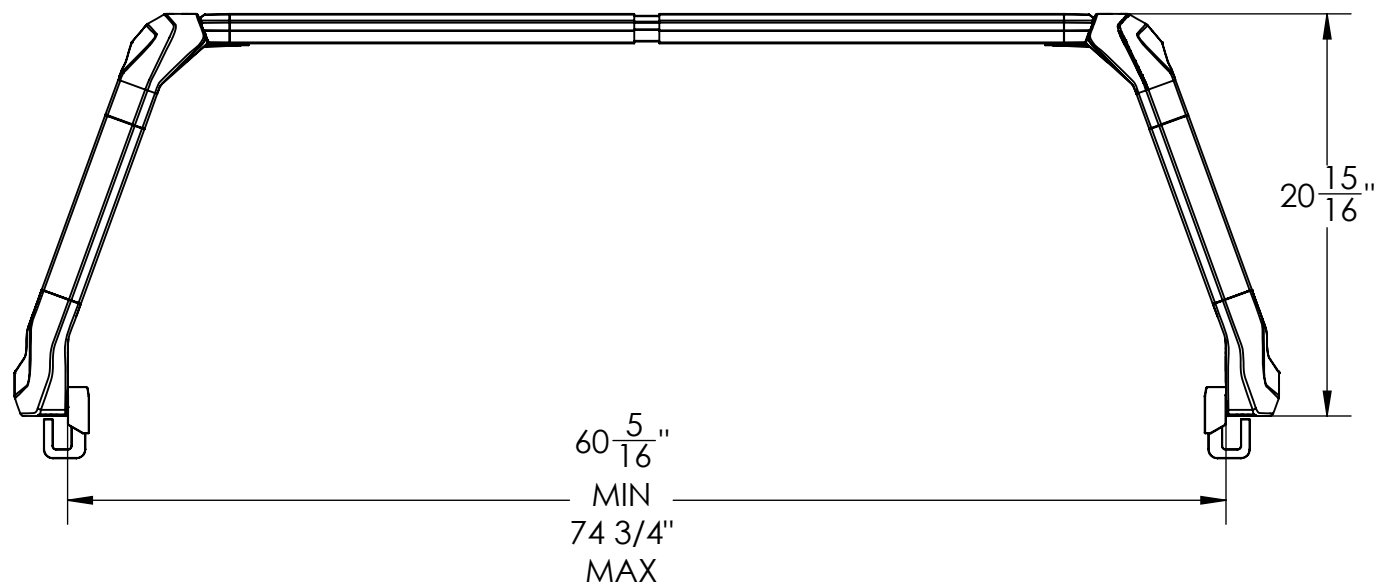
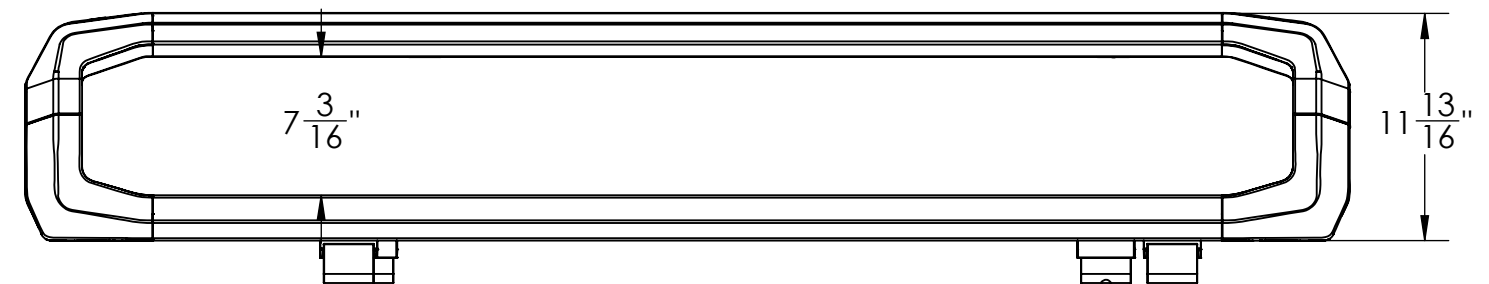
Mid Height Configuration

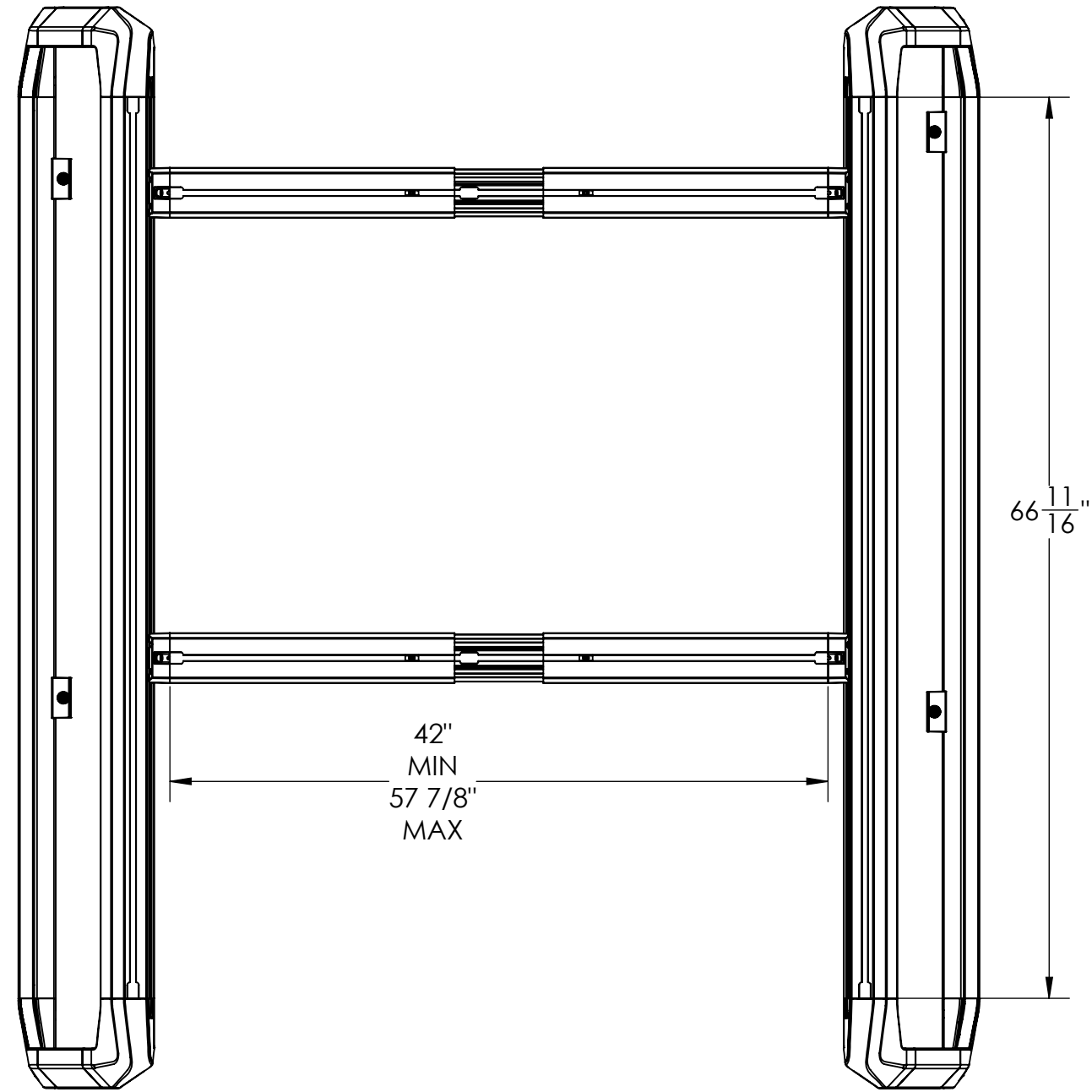




IBEXB2
FULL SIZE TRUCK - SHORT BED

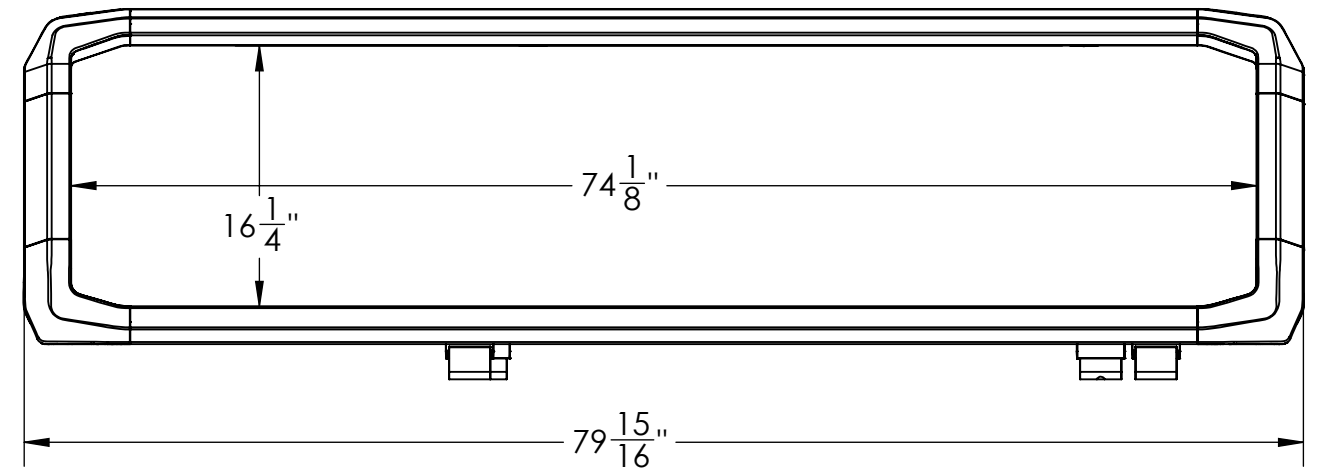
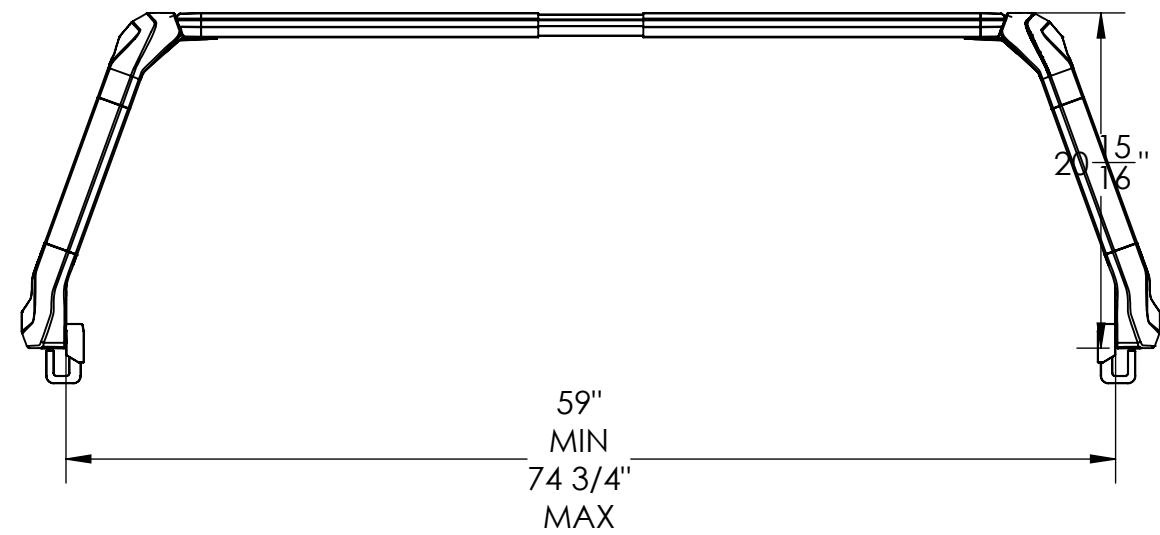
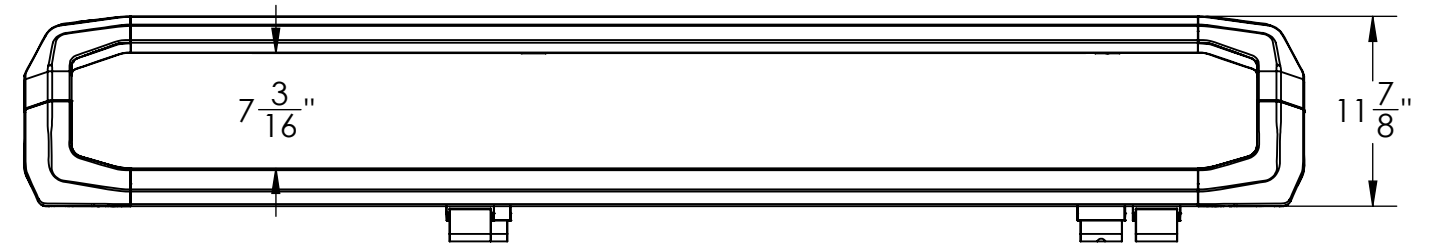
Mid Height Configuration

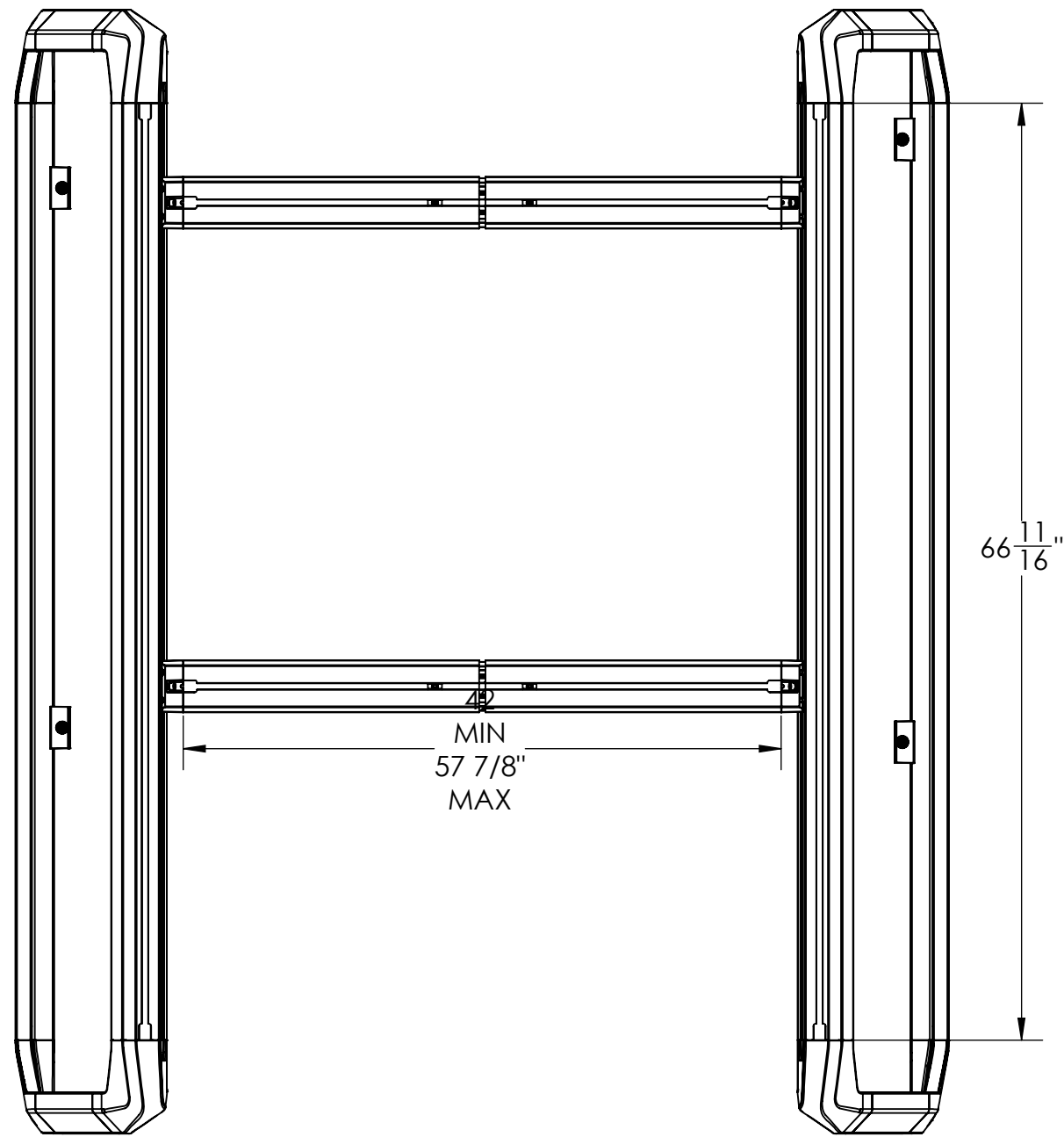




IBEXD2
FULL SIZE TRUCK - MEDIUM BED

Mid Height Configuration





IBEXD3
HEAVY DUTY TRUCK - SHORT BED

Mid Height Configuration

