

## REPLACEMENT INSTRUCTIONS FOR PENGUIN SHROUD KIT

3308046.006 Shroud Kit	Each Kit Contains:	
3308046.014 Shroud Kit	(1) 3308046.0XX	Shroud Or
3308046.022 Shroud Kit	(1) 3308047.0XX	Shroud
3308046.030 Shroud Kit	(1) 3102669.128	33" Foam Tape
3308047.004 Shroud Kit	(1) 3102669.052	63" Foam Tape
3308047.012 Shroud Kit	(1) 3102669.094	17-1/2" Foam Tape (not used on earlier version)
3308047.020 Shroud Kit	(1) 3302669.110	4" Foam Tape (not used on earlier version)
3308047.038 Shroud Kit	(1) 3308136.047	Installation Instructions

FIG. 1

### Penguin Earlier Version

**Important:** Some units will have foam tape installed on the coil/blower housing and some will have it installed inside the shroud.

**Step 1:**  
Remove shroud.

**Step 2:**  
Remove foam tape if installed on the coil/blower housing.

**Step 3:**  
Install new foam tape (supplied) exactly as shown.

**Step 4:**  
Install shroud.

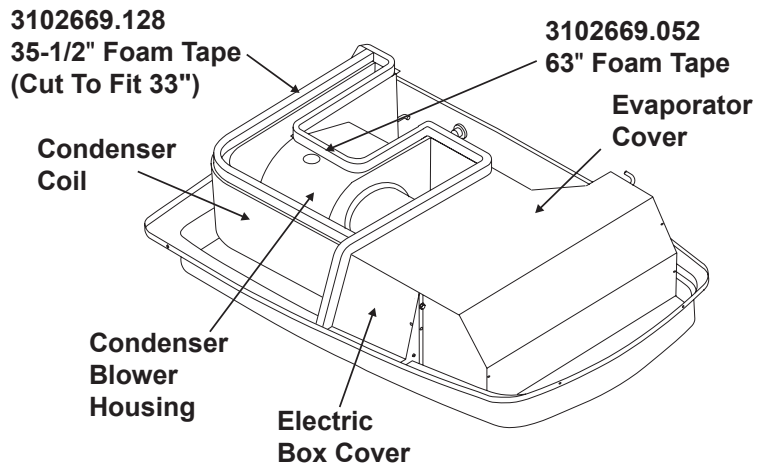


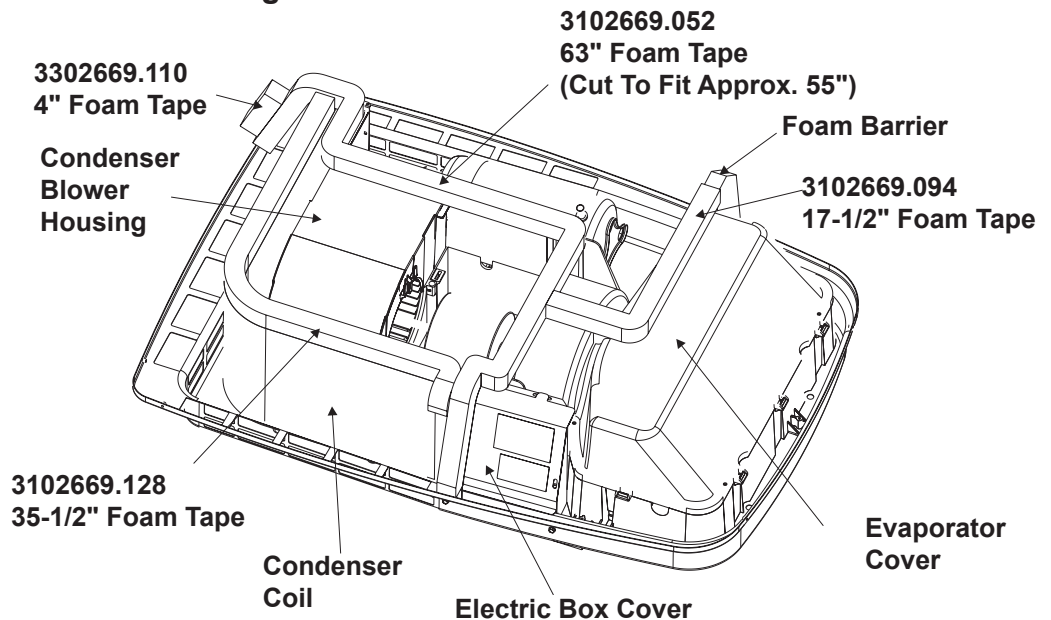
FIG. 2

### Penguin Later Version

**Step 1:**  
Remove shroud.

**Step 2:**  
Install new foam tape (supplied) exactly as shown.

**Step 3:**  
Install shroud.



#### REVISION A