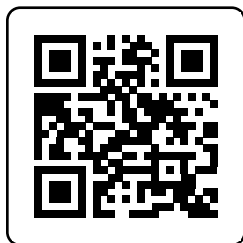


IBEX™

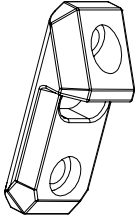
BOTTLE OPENER

ASSEMBLY



ASSEMBLY VIDEO

Parts



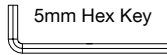
Bottle Opener



(2) M8 x 16 Bolts



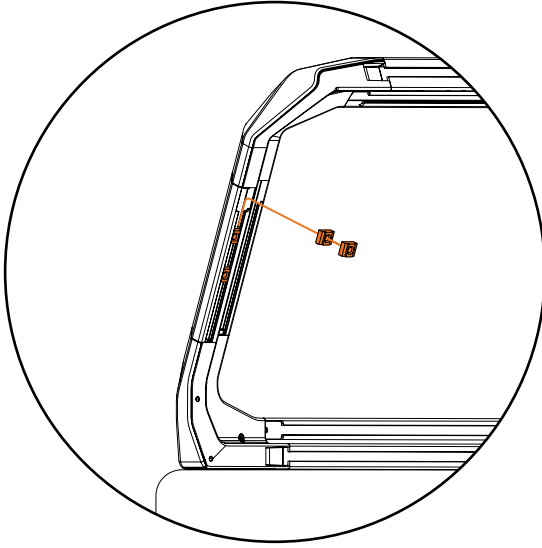
(2) T-Nuts



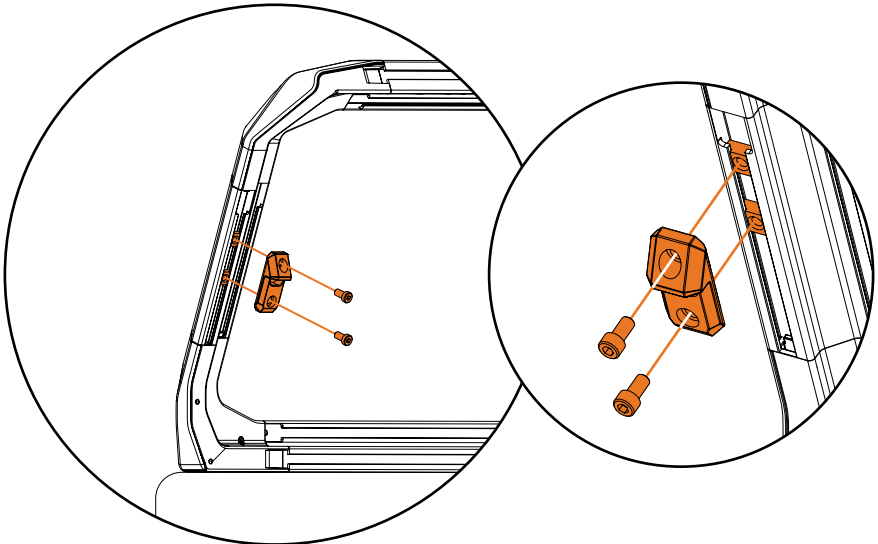
5mm Hex Key

Bottle Opener Installation

- 1 Place (2) T-Nuts in rear IBEX™ T-Nut channel on the desired side.



- 2 Install Bottle Opener into T-Nuts using (2) M8 x 16 Bolts.



Warnings

IBEX™

BOTTLE OPENER

WARNINGS

- Follow instructions for proper assembly, installation and use.
- Check tightness of all bolts and screws periodically.
- Drink Responsibly.
- Drive responsibly.

If you have questions or problems, please contact Küat directly by calling toll free 1(877)822-KUAT, or by email: info@kuat.com

ADVERTENCIAS

- Siga las instrucciones para un montaje, instalación y uso adecuados.
- Verifique periódicamente el apriete de todos los pernos y tornillos.
- Bebe responsablemente.
- Conduzca con responsabilidad.

AVERTISSEMENTS

- Suivez les instructions pour un assemblage, une installation et une utilisation appropriés.
- Vérifiez périodiquement le serrage de tous les boulons et vis.
- Boire de façon responsable.
- Conduisez de façon responsable.

NO WORRIES LIMITED WARRANTY

We stand behind our products, and our customer service reps are waiting to help you out if you have any problems with your product. Our limited warranty covers your purchase for life. You can review our limited warranty on our website or call customer service at the number below if you have questions or need a repair, replacement, refund, or a copy of the limited warranty.

www.kuat.com/warranty

Questions or comments?

Drop us an email or call us directly!

kuat.com | info@kuat.com | [877.822.5828](tel:877.822.5828)

kuat[®]

1.877.822.5828

info@kuat.com

kuat.com