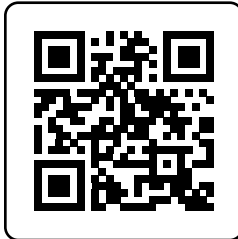


**IBEX™**

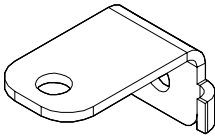
**ANTENNA MOUNT**

ASSEMBLY



ASSEMBLY VIDEO

# Parts



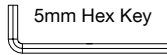
Antenna Mount



(1) M8 x 12 Bolt



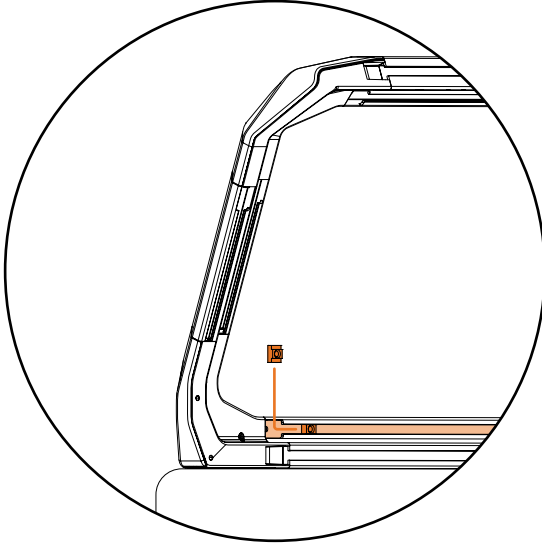
(1) T-Nut



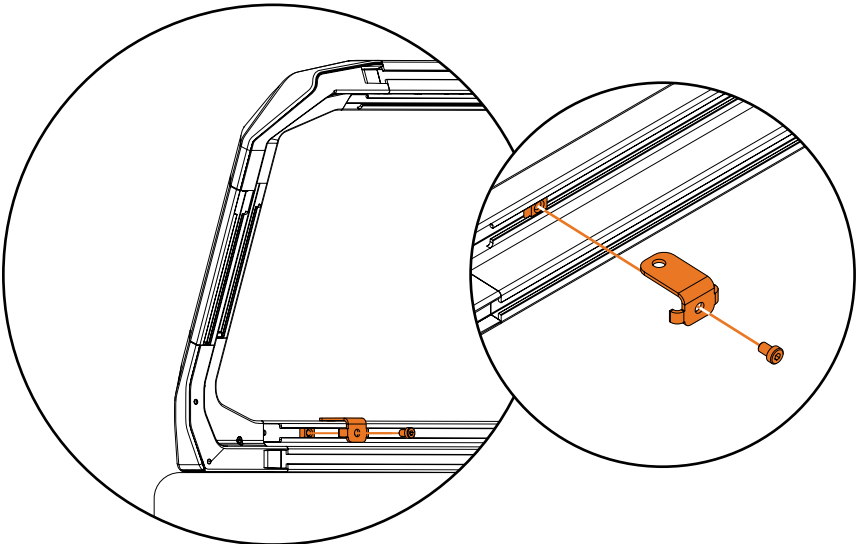
5mm Hex Key

# Antenna Mount Installation

- 1 Place (1) T-Nut in lower IBEX™ T-Nut channel.



- 2 Install Antenna Mount into T-Nut using (1) M8 x 12 Bolt. Installation of the antenna into the mount may need to occur before Antenna Mount Installation, depending on desired location on the IBEX™.



Warnings

**IBEX™**

**ANTENNA MOUNT**

**WARNINGS**

- Follow instructions for proper assembly, installation and use.
- Check tightness of all bolts and screws periodically.
- Drive responsibly.

**If you have questions or problems, please contact Küat directly by calling toll free 1(877)822-KUAT, or by email: [info@kuat.com](mailto:info@kuat.com)**

**ADVERTENCIAS**

- Siga las instrucciones para un montaje, instalación y uso adecuados.
- Verifique periódicamente el apriete de todos los pernos y tornillos.
- Conduzca con responsabilidad.

**AVERTISSEMENTS**

- Suivez les instructions pour un assemblage, une installation et une utilisation appropriés.
- Vérifiez périodiquement le serrage de tous les boulons et vis.
- Conduisez de façon responsable.

# NO WORRIES LIMITED WARRANTY

We stand behind our products, and our customer service reps are waiting to help you out if you have any problems with your product. Our limited warranty covers your purchase for life. You can review our limited warranty on our website or call customer service at the number below if you have questions or need a repair, replacement, refund, or a copy of the limited warranty.

**[www.kuat.com/warranty](http://www.kuat.com/warranty)**

**Questions or comments?**

Drop us an email or call us directly!

**[kuat.com](http://kuat.com) | [info@kuat.com](mailto:info@kuat.com) | [877.822.5828](tel:877.822.5828)**

***kuat***<sup>®</sup>

1.877.822.5828

info@kuat.com

kuat.com