

CADAC |  DOMETIC

2 COOK 3

MODEL No: 203P1 & 203M1

2.74 kPa



MODEL: 203P1



MODEL: 203M1



UK
CA

USER INSTRUCTIONS

EN ES FR

FOR YOUR SAFETY

If you smell gas:

1. Do not attempt to light the appliance .
2. Extinguish any open flame .
3. Disconnect from fuel supply.

FOR YOUR SAFETY

Do not store or use gasoline or other liquids with flammable vapors in the vicinity of this or any other appliance.



DANGER!



CARBON MONOXIDE HAZARD

This appliance can produce carbon monoxide which has no odor.

Using it in an enclosed space can kill you.

Never use this appliance in an enclosed space such as a camper, tent, car or home.

CAUTION

Provide ample ventilation. This gas appliance consumes air (oxygen). Do not use this appliance in an unventilated space to avoid endangering your life. If still more gas appliances and/or occupants using gas are added to the space, additional ventilation must be provided.

IMPORTANT

Read these instructions carefully so as to familiarise yourself with the appliance before fitting the appliance to a gas cylinder. Retain these instructions for future reference.

1. Safety information

These instructions are for your safety and to help you avoid risk of injury and/or damage. All warranties will become void if you do not follow these instructions.

- This appliance complies to BS EN 484.
- Gas appliances require ventilation for efficient performance and to ensure the safety of users and other persons in close proximity, do not use the appliance in an unventilated area. It is intended for outdoor use only.
- The room where this appliance is used should have a window or a door that can be opened or partially open during use. If there is no window or door available for room ventilation, extra ventilation must be installed for your safety.
- Ensure that the appliance is used in a well-ventilated area.
- **WARNING: ACCESSIBLE PARTS MAY BE VERY HOT. KEEP YOUNG CHILDREN AWAY.**
- Read these instructions carefully before using the appliance.
- **FOR OUTDOOR USE ONLY!**

Assembly and use

- Do not use the appliance if it has damaged or worn seals.
- Do not use an appliance that is leaking, damaged or which does not operate properly.
- Handle the appliance with care, do not drop it.
- Always operate the appliance on a firm level surface.
- Ensure that the assembled product is stable and does not rock.
- This appliance is not suitable for installation or connection to a reticulated gas supply.
- This appliance must be kept away from flammable materials during use. Minimum safe distances are: Above the appliance 47". At the rear and sides 24" (See fig. 1).
- When using a pot, the minimum recommended pot size is 7" and maximum recommended size is 10".
- Do not use any cooking surface or pot that is larger than the recommended size. Our cooking surfaces have been specifically designed to allow gas combustion to escape and the closer of this space could affect the performance of this appliance.
- Do not modify this appliance, any modification may be dangerous. Do not use it for anything for which it has not been designed.
- Do not move the appliance during use.
- Never leave the appliance unattended when lit.
- During use, parts of the appliance will become hot (particularly the burner) Avoid touching hot parts with bare hands. The use of gloves is recommended.
- Do not use the appliance without the pot stands being in place and properly located.
- The unit is supplied with a convenient carry bag.

Hose

- The hose must be checked for wear or damage before every use and before connecting to the gas container.
- Do not use the appliance if it has a damaged or worn hose. Replace the hose.
- Do not twist or pinch the hose.
- The hose length should be no less than 31.5" and shall not exceed 47" and replace when the hose is damaged or shows signs of brittleness or cracks.
- If you are unable to correct the gas leak, do not use the appliance. Contact your local supplier for assistance.
- **Note:** This device can be connected directly to a Campervan/RV via an approved 12FT Quick-Connect RV hose with 1/4" safety shutoff valve and 1/4" male Quick Release adapter as shown (hose assembly not included).

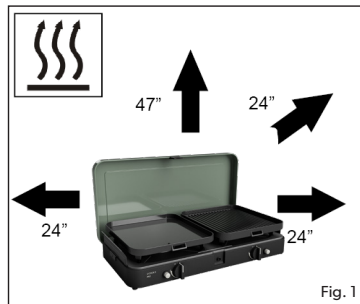
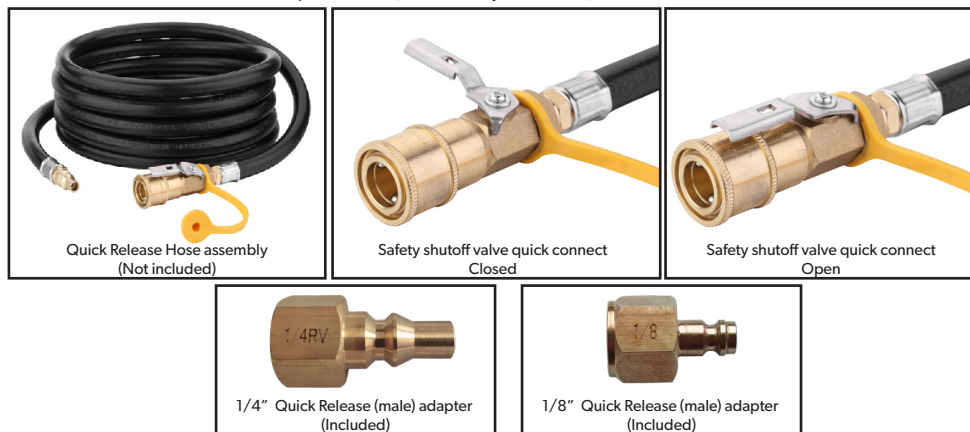


Fig. 1

Quick Release Hose assembly
(Not included)Safety shutoff valve quick connect
ClosedSafety shutoff valve quick connect
Open1/4" Quick Release (male) adapter
(Included)1/8" Quick Release (male) adapter
(Included)

Gas Container

- The LP-gas cylinders used must be constructed and marked in accordance with the specifications for LP-gas cylinders of the U.S.> Department of Transportation or Transport Canada, the standard for cylinders, spheres, and tubes for the transportation of dangerous goods, CAN/CSA B339.
- Gas is supplied to the unit via a hose and a regulator supplied with the unit. The hose and regulator is connected to a CGA No. 600 type thread propane cylinder not exceeding 1 lb (See Fig.2). This appliance can also use a 20 lb propane cylinder with an alternate hose and regulator assembly (not included). Please also refer to Section 2 for use of a 20 lb propane cylinder.
- IT COULD BE HAZARDOUS TO ATTEMPT TO FIT OTHER TYPES OF GAS CARTRIDGES.
- This appliance must only be used with an approved hose and regulator.
- Only to be used with a gas cylinder that does not exceed 20" in height (not including the regulator) and 16" in width.
- Ensure that the gas container is fitted or changed in a well-ventilated location, preferably outdoors, away from any sources of ignition such as naked flames, pilots, electric fires and away from other people.
- Keep gas containers away from heat and flame. Do not place on a stove or any other hot surface.
- Refillable containers are to be used only in the upright position so as to ensure proper fuel withdrawal. Failure to adhere to this may cause liquid discharge from the gas container resulting in a dangerous operating conditions.
- Do not try to remove the gas container whilst the appliance is in operation.
- The gas container must be disconnected from the appliance after use or when in storage.

Light back

- In the event of light back (where the flame burns back and ignites inside the burner or venturi housing), immediately turn off the gas supply by firstly closing the control valve on the gas cylinder and then the appliance valve. After the flame is extinguished, remove the regulator and check the condition of the seal; replace the seal if in doubt. Re-light the appliance.
- Should the flame persistently light back, return the product to your authorized repair agent.

Leaks

- If there is a gas leak on your appliance (smell of gas), immediately turn off the gas supply by turning the control knob clockwise to the "OFF" position and take it into a flame free location where the gas leak may be detected and stopped. If you wish to check for gas leaks on your appliance, do it outside. Do not try to detect gas leaks using a flame; use soapy water.

How to check the appliance is connected to the gas supply in a sound fashion

- It is important that all gas connections have been correctly connected to prevent any gas leaks.
- The correct way is to smear the joint, i.e. where the gas container connects to the appliance, with soapy water. Turn the appliance control knob slightly anti-clockwise to turn the gas on. If bubbles form, then there is a gas leak. Immediately turn the gas off and disconnect the gas supply from the appliance. Check that all the connections are properly fitted. Check that the seal is in place and in good condition before connecting the gas supply. Re-check with soapy water after refitting the gas supply.
- If a gas leak persists, return the product to your local dealer for inspection/repair.

- ONLY USE IN WELL VENTILATED AREAS.
- CARBON MONOXIDE HAZARD - USING THIS APPLIANCE IN AN ENCLOSED SPACE MAY CAUSE DEATH. DO NOT USE IN CARAVANS, TENTS, MARINE CRAFT, CARS, MOBILE HOMES OR SIMILAR LOCATIONS.
- This appliance shall only be used in an above ground open air situation with natural ventilation, without stagnant areas, where gas leakage and products of combustion are rapidly by wind and natural convection.
- Any enclosure in which the appliance is used shall comply with one of the following:
 - An enclosure with walls on all sides, but with no overhead cover.
 - Within a partial enclosure that includes an overhead cover and no more than two walls.
 - Within a partial enclosure that includes an overhead cover and more than two walls, the following shall apply:
 - At least 25% of the total wall area is completely open.
 - 30% or more in total of the remaining wall side, back and front wall areas is open and unrestricted.
 - In the case of balconies, 20% or more of the total wall area shall remain open and unrestricted.

Country of use	US & Canada
Appliance Categories	LPG
Allowable gases and operating pressure	2.74 kPa
Nominal usage	7Mj/hour
Gross nom. heat input	7513 BTU
Jet number	73
Gas supply sources (not supplied):	
a)	A refillable gas container not exceeding 20 lb and complying with local regulation in force.
b)	a CGA No. 600 type thread propane cylinder not exceeding 2.2 lb

2. Fitting and Changing the Gas Supply

Connecting the gas supply

- Before connecting the appliance to a gas supply, ensure that the rubber seal on the regulator is in position and in good condition.
- Before connecting the hose and regulator to the appliance, check that the appliance control knob is in the "OFF" position. Use the 1/8" quick release adapter (included) to facilitate connection to the 1/8" quick release pipe 1"-20 UNEF regulator (included) when connecting to a 1 lb canister.
- Carry out this check each time you fit the appliance to a gas cylinder.
- Blow out any dust from the gas supply opening to prevent possible blockage of the jet.
- Fit an approved hose and regulator to the appliance.
- Only use the hose assembly as supplied for connection to the gas supply.
- Ensure that the gas supply (gas cylinder/gas cartridge) is fitted in a well-ventilated location away from any source of ignition, such as naked flames and away from other people.
- Do not twist or pinch the hose. Ensure that it is routed away from the stove body so as to prevent deterioration / damage to the hose caused by heat.
- Make sure that the gas cylinder is kept upright at all times, connect to the cylinder by screwing on hand tight until fully engaged.
- Ensure that a complete gas seal has been made (check for the smell of gas around the connection joint). Do not check for leaks with a naked flame. Use warm soapy water only, applied to the joints and connections of the appliance. Any leakage will show up as bubbles around the leakage area.
- If you cannot rectify the gas leak do not use the appliance. If you are in doubt, contact your nearest stockist.
- If using a 20 lb cylinder, it must have a shut-off valve with an OPD (Overfill Protection Device) feature. The OPD safety feature is identified by a unique triangular hand wheel. (Fig 2b).

Disconnecting and changing the gas supply

- After use, turn the appliance control knob to the "OFF" position and close the gas supply.
- When you need to replace your empty cylinder, make sure that the gas is closed at the cylinder valve.
- Do not smoke while changing the cylinder.
- Remove the regulator from the empty cylinder.
- Attach the regulator to the full cylinder, refer to the instructions above on how to connect the gas supply.
- Apply the same care and checking procedures as if fitting a new gas cylinder.

How to check if your gas cylinder is empty

- The easiest way to check if you are low on gas is by picking up your gas cylinder.
- If you think your gas cylinder is feeling a little lighter than you'd like, weighing the bottle is a great way to see how much gas is left. Most cylinders will have the empty weight stamped on either the neck or foot ring, and if the weight indicated on the stamp and the weight of your cylinder are the same, you're out of gas. You can then approximate the amount of gas you have left by the difference in weight.

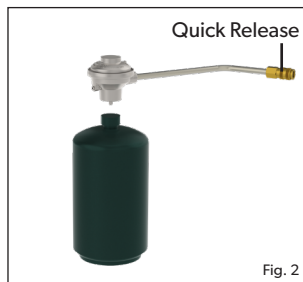


Fig. 2



3. Operating the Appliance

- When operating this appliance, please take care to ensure that all parts are in good working order and that you have checked for any gas leaks before lighting the appliance with every use.
- Cooking surfaces can simply be placed and are ready to use. No assembly required.
- **PLEASE NOTE:** Please ensure all protective packaging and plastic are removed from the appliance before use.
- The appliance is designed for use with cooking vessels of not less than 7" in diameter and not greater than 10" in diameter.

Precautions to observe before lighting.

- Use this appliance only on a firm level surface.
- After prolonged storage, inspect the appliance for any insects and webs, which may affect gas flow.

Lighting the appliance using the piezo

- It is recommended to remove any cooking surfaces when trying to light the appliance. This way it will be easy to see the burner when it is lit.
- To light up the appliance using the piezo igniter, push and turn the control knob 90° in an anti-clockwise direction, then press the piezo button to ignite the gas (see Fig. 3). If the gas does not ignite on the first spark, turn the control knob back to its "OFF" position. Try again, by pushing and turning the control knob anti-clockwise and push the piezo button to ignite the gas. If the gas has not ignited in the first two to three seconds you should close the control valve by turning the control knob back to its "OFF" position.
- Wait approximately thirty seconds to let any accumulated gas within the burner escape. Repeat the above process if necessary until the flame ignites. The flame should normally light up within the first one to two seconds.

Lighting up using a BBQ lighter

- When starting cold, the appliance may be lit from the top prior to fitting the desired cooking surface. When lighting up a hot appliance, it is recommended that this be done by sticking a barbecue lighter through one of the vent holes underneath the burner, until it is in line with the burner (DO NOT place the BBQ lighter through the large hole directly underneath the burner). Ignite the BBQ lighter. Whilst the BBQ lighter is lit, push and turn the control knob anti-clockwise to light the burner.

General

- Once the appliance is lit, the flame intensity may be adjusted by turning the control knob anti-clockwise to reduce the flame or clockwise to increase the flame.
- When cooking food with a high fat content, flaring may occur if the selected heat setting is too high. Should this happen, turn the heat down until the flaring ceases.
- Do not move the appliance when in use. It is unsafe practice to move the appliance whilst lit and may cause flaring.
- After use, first close the control valve on the gas cylinder (where applicable). When the flame has extinguished, close the control valve on the appliance.



Fig. 3

4. Component List

Product code: 203P1-20



Product code: 203P1-10



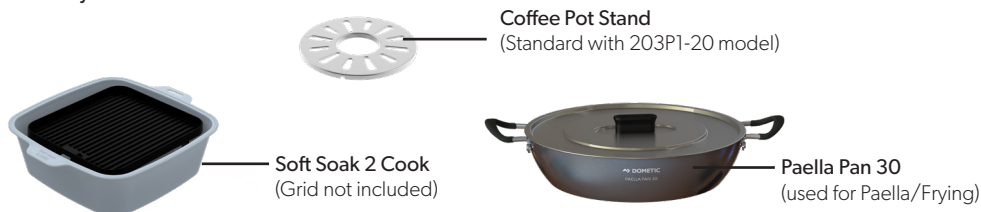
Product code: 203M1-20



Product code: 203M1-10



The following surfaces are not included and are sold separately. Check with your local stockist for availability.



5. GreenGrill Cooking Options

GreenGrill Cooking

Most of the cooking surfaces have our GreenGrill coating.

This ceramic coating is completely PFOA-free; it is made of organic materials and therefore contains no toxic substances.

GreenGrill guarantees healthier cooking!

PREPARATION & USE

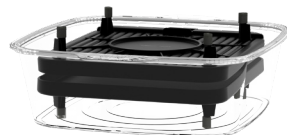
- 'Seasoning': before using the cooking surface for the first time, you can season it to give the cooking surface a thin protective layer that prevents food from sticking. It is not required but we do recommend it. **It's very easy: lightly rub cooking oil on the surface and then place over medium heat for 2 - 3 minutes. When it cools, wash the cooking surface with soapy water before use and grease it lightly with some oil (cooking oil of your choice, e.g. sunflower oil).**
It's ready to go!
- Note: GreenGrill coating conducts heat better than products with a regular (PTFE) non-stick coating. We therefore recommend using only 75% of the power of what you are used to.
- Never leave the cooking surface on the heat source without oil. Apply a thin layer of oil with a kitchen paper towel or a brush before placing the cooking surface on the heat source. Make sure you have oiled all parts, so with e.g. a BBQ grid include the raised edges as well.
- We recommend frying in sunflower oil or Rapeseed Oil because of the high burning point. Olive oil can have a relatively low burning point, which can cause the ingredients to stick to the pan or burn. We therefore do not recommend using olive oil.
Tip: bring meat or fish to room temperature before frying. This will prevent sticking to the cooking surface.
- **Always** use silicone and/or wooden utensils so that the GreenGrill coating is not damaged. **Never** use metal utensils as this can damage the coating.

CLEANING

- Let the cooking surface cool down before cleaning. Extreme temperature changes can cause deformation of the cooking surface.
- The GreenGrill coating is 'Easy Clean'. Warm soapy water with a soft sponge is sufficient for cleaning the cooking surfaces with GreenGrill coating. Avoid scouring pads or steel wool.
- If the cooking surface has food particles remaining from a previous use they can adhere to the coating, which can lead to brown spots. In these places, ingredients can stick to the cooking surface because the coating is no longer reached. Make sure that these spots are properly removed before use.
- For stubborn stains or residues, you can try soaking overnight in hot soapy water making use of our convenient Soft Soak or use the 'vinegar method' for the paella pan or chef pan: pour a layer of vinegar into the pan and heat the pan slightly. The vinegar does not have to boil and should certainly not evaporate completely. Pour the vinegar out of the pan, clean the pan with soapy water and the pan is as good as new.
Note: heating vinegar can give off an unpleasant smell.
- When using the Soft Soak, we recommend placing the cooking surface face down which allows for maximum soaking and also uses less water.
Note that the Soft Soak 2 Cook can soak both grids simultaneously. To do so place one grid cooking side up, and the other facing downwards as seen in the images.
- Dry with a soft cloth and you're done!

MAINTENANCE

- We recommend to add a little oil to the cooking surface after cleaning and spread it with kitchen paper. The oil seals the surface from the outside air and moisture. It also ensures that the food does not burn into the surface.
- Place the cooking surface in a plastic bag before you put it into its storage bag so you are ensured the storage bag remains clean and oil free.
- The storage bag prevents damage to the GreenGrill coating and your product.



Cooking Options

- These are the available cooking options.
 - Grilling:** This cooking option is ideal for fat-free grilling of chicken, sausages, chops, kebabs, fish or vegetables. For this type of cooking, use the grill plate.
Caution: Please note that when cooking fatty meats some fat will splatter onto the unit which may cause flare-ups. Please use caution when handling such meats. The cooking temperatures are easily adjusted to suit your own requirements by turning the control knob to regulate the degree of heat.
 - Frying:** This option is ideal for stir-fries, fish, breakfast, pancakes, prawns, paella and vegetables. For this type of cooking, use the flat grill. Please note that being a shallow pan, it is not suitable for deep-frying. The easy clean surface encourages the minimum use of fat for healthy cooking.
 - Boiling:** For this type of cooking, place the pot stand in its locator grooves ensuring that it is properly seated. Place a suitable pot (not less than 7" diameter and not more than 10" diameter). One liter of water will boil in approximately 6 minutes depending on the conditions, size of pot used, etc.
 - Note:** When using small sized pots do not attempt to use pots with plastic handles as these can get extremely hot.
 - Paella:** This cooking option is ideal for preparing paellas, risottos, pasta dishes, traditional breakfasts etc. The Paella Pan is made from a high quality pressed aluminium which allows for excellent heat distribution and retention.
 - Coffee:** This option is ideal for brewing a hot cup of coffee. Ideal for anytime, anywhere.

6. Cleaning

- Allow the appliance to cool down before you clean it.
- Use a damp cloth wrung out in a solution of soapy water to clean exterior surfaces.
- The grill plate is coated with a tough durable ceramic non-stick coating that has been used with great success on some of the best cookware in the world. Never the less, taking care of it can help you to enjoy extra years of healthy, easy, non-stick cooking.
- Whilst the ceramic non-stick coating is very durable, it can easily be damaged by the use of metal cooking utensils. It is therefore recommended that only plastic or wooden utensils be used when cooking.
- Always allow the grill/flat plate to cool before immersing it in water.
- Make sure that no water gets onto the burners or pilot/light area. Wipe the appliance completely dry before use.
- Do not use abrasive cleaners as they may damage the surfaces.
- Clean the appliance after each use. After cleaning recondition the cooking surface with a light wipe of oil.
- Do not use any high-pressure steam equipment or a water jet to clean the appliance.
- Note: For stubborn stains, oven cleaner may be used.

7. Storage

- Always allow the unit to cool down and be cleaned before storing.
- Turn off the gas supply to the appliance, disconnect and remove the gas supply from the appliance.
- Never store an appliance with the gas supply connected, this is an unsafe practice.
- Store the appliance and gas supply in a well-ventilated area away from combustible material. Storage of cylinders should preferably be outdoors and must NOT be in a basement.

8. Maintenance & troubleshooting

Maintenance

- If you clean and maintain your appliance on a regular basis, the life of your appliance will extend and the possibility of problems will decrease.
- We recommend the service of your appliance to be every twelve (12) months by a service agent to ensure continued efficient operation.
- This appliance must only be serviced by an authorized person.
- Check your gas hose and connections regularly for any signs of leaks and every time the gas cylinder is re-filled or fitted to the appliance with every use.

Troubleshooting

In the case of a spattering flame or jet blockage:

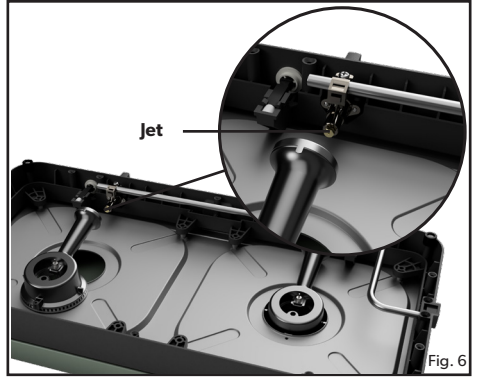
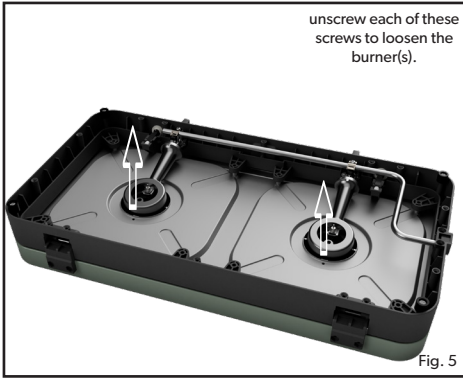
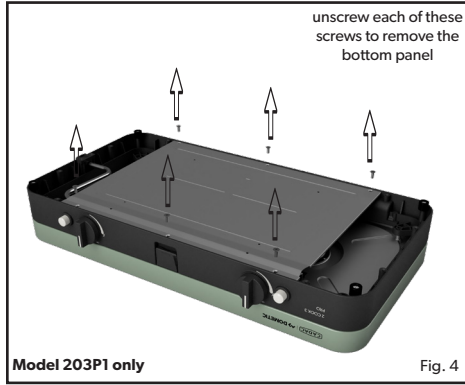
- Clean your burner ports in case of an over spill.
- We recommend to clean or replace the jets every six (6) months to ensure continued efficient operation of your appliance.
- Should the appliance operate abnormally after storage and all checks have not isolated the problem, the jet may be blocked. A blocked jet would be indicated by a weaker yellowish flame or no flame at all in extreme cases. Under these circumstances it will be necessary to remove and check and thoroughly clean out any foreign matter which may have gathered in the appliance.
- This may be done by removing the jet using standard tools and blow any dirt from the jet, alternatively, you may purchase new jets from your local store. Do not attempt to clean the jet mechanically.

Replacing a Blocked Jet:

- Your appliance is fitted with a specific size jet to regulate the correct amount of gas.
- Should the hole in the jet become blocked, this may result in a small flame or no flame at all. Do not attempt to clean the jet with a pin or other such device as this may damage the orifice, which could make the appliance unsafe.
- **To replace the jet:** Remove any cooking surfaces, close the lid and turn the appliance upside down. Gently unscrew the bottom panel by removing the screws (Fig. 4)(Only for 203P1 models). Unscrew the screw for the affected burner(s) (Fig. 5), carefully loosen and drop the burner as illustrated, to expose the jet. Note that the burner is connected to the piezo cable, after replacing the jet and reassembling, check that this cable is still connected. The jet can now be seen on the valve, remove the jet using a suitable spanner (Fig. 6). Do not use pliers on the jet as this may damage the jet, making it unusable or impossible to remove. Screw the new jet into the valve. Do not over-tighten as this may damage the jet.
- Reverse the above procedure to re-assemble the unit.

Replacing the Hose:

- The fitting of a hose is described in Section 2.



9. Spares and Accessories

- Always use genuine spares as they have been designed to give optimum performance.

Spares		Accessories			
Item	Spare No.	Item	Spare No.		
	202-SP004		202-SP011		203-100
	202-SP012		202-SP020		203-900 (Grid not included)
	203P-SP001		203P-SP002 (Black) 203P-SP042 (Chrome)		8640
	203P-SP003		203P-SP005		
	203P-SP008		203P-SP011		
	203P-SP015		203P-SP016		
	HM6-073		203P-SP034		

10. Warranty

Front Runner Outfitters hereby warrants to the ORIGINAL PURCHASER of this appliance for 2 years, that it will be free of defects in material and workmanship from the date of purchase as follows:

Valves:	2 Years
Plastic parts:	No Warranty
Enamel parts:	2 Years
Cast Iron:	2 Years
Burners:	1 Year

The warranty will only apply if the unit is assembled and operated in accordance with the printed instructions.

Front Runner Outfitters may require reasonable proof of your date of purchase. THEREFORE, YOU SHOULD RETAIN YOUR SALES SLIP OR INVOICE.

This Limited Warranty shall be limited to the repair or replacement of parts that prove defective under normal use and service and which on examination shall indicate, to Front Runner Outfitters's satisfaction, they are defective. Before returning any parts, contact the customer service representative in your region using the contact information provided with your manual. If Front Runner Outfitters confirms the defect and approves the claim, Front Runner Outfitters will elect to replace such parts without charge. Front Runner Outfitters will return parts to the purchaser, freight or postage prepaid.

This Limited Warranty does not cover any failures or operating difficulties due to accident, abuse, misuse, alteration, misapplication, vandalism, improper installation or improper maintenance or service, or failure to perform normal and routine maintenance, including but not limited to damage caused by insects within the burner tubes, as set out in this owner's manual. Deterioration or damage due to severe weather conditions such as hail, hurricanes, earthquakes or tornadoes, discoloration due to exposure to chemicals either directly or in the atmosphere, is not cover by this Limited Warranty.

There are no other express warrants except as set forth herein and any applicable implied warranties of merchantability and fitness are limited in duration to the period of coverage of this express written Limited Warranty. Some regions do not allow limitation on how long an implied warranty lasts, so this limitation may not apply to you.

Front Runner Outfitters is not liable for any special, indirect or consequential damages. Some regions do not allow the exclusion or limitation of incidental or consequential damages, to this limitation or exclusion may not apply to you.

Front Runner Outfitters does not authorize any person or company to assume for it any obligation or liability in connection with the sale, installation, use, removal, return, or replacement of its equipment; and no such representations are binding on Front Runner Outfitters.

This Warranty applies only to products sold at retail.

POUR VOTRE SÉCURITÉ

Si vous sentez une odeur de gaz :

1. Ne tentez pas d'allumer l'appareil
2. Éteignez toute flamme nue
3. Débranchez l'alimentation en gaz

POUR VOTRE SÉCURITÉ

Ne pas entreposer ni utiliser d'essence ou d'autres liquides avec des vapeurs inflammables à proximité de cet appareil ou de tout autre appareil.



DANGER!



MONOXYDE DE CARBONE

Cet appareil peut produire du monoxyde de carbone qui n'a pas d'odeur.

Son utilisation dans un espace clos peut vous tuer.

Ne jamais utiliser cet appareil dans un espace clos, tel qu'une caravane, une tente, une voiture ou dans la maison.

Fournissez une ventilation suffisante. Cet appareil à gaz consomme de l'air (oxygène). N'utilisez pas cet appareil dans un espace non ventilé pour éviter de mettre votre vie en danger. Si d'autres appareils à gaz ou d'autres personnes utilisant du gaz sont ajoutés à l'espace en question, une ventilation supplémentaire doit être fournie.

IMPORTANT

Lisez ces instructions attentivement de manière à vous familiariser avec l'appareil avant de relier l'appareil à la bouteille de gaz. Conservez ces instructions pour pouvoir les consulter à l'avenir.

1. Informations relatives à la sécurité

Ces instructions sont destinées à assurer votre sécurité et à vous aider à éviter tout risque de blessure ou de dommage. Toutes les garanties seront nulles si vous ne suivez pas ces instructions.

- Cet appareil est conforme aux normes BS EN 484.
- Les appareils à gaz nécessitent une ventilation pour des performances efficaces et pour assurer la sécurité des utilisateurs et des autres personnes à proximité. N'utilisez pas l'appareil dans un endroit non ventilé. Il est destiné à une utilisation en extérieur uniquement.
- La pièce dans laquelle cet appareil est utilisé doit disposer d'une fenêtre ou d'une porte qui peut être ouverte ou partiellement ouverte durant l'utilisation. Si aucune fenêtre ni porte n'est disponible pour la ventilation de la pièce, une ventilation supplémentaire doit être installée pour votre sécurité.
- Assurez-vous que l'appareil est utilisé dans un lieu bien ventilé.
- **AVERTISSEMENT: LES PIÈCES ACCESSIBLES PEUVENT ÊTRE TRÈS CHAUDES. GARDEZ LES PETITS ENFANTS À L'ÉCART.**
- Lisez les instructions avant d'utiliser l'appareil.
- **Utilisez-le exclusivement en extérieur !**

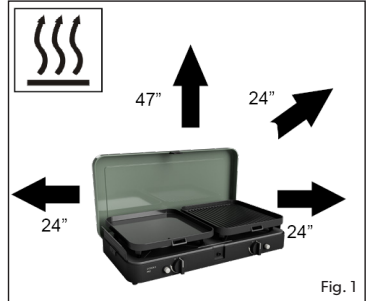


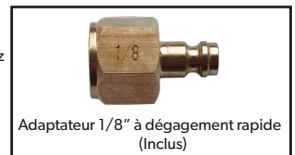
Fig. 1

Assemblage et utilisation

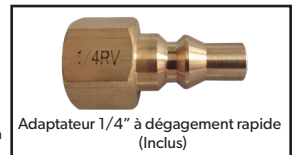
- N'utilisez pas l'appareil s'il a des joints endommagés ou usés.
- N'utilisez pas un appareil qui fuit, est endommagé ou ne fonctionne pas correctement.
- Manipulez l'appareil avec soin, ne le faites pas tomber.
- Faites toujours fonctionner l'appareil sur une surface ferme et plane.
- Assurez-vous que le produit assemblé est stable et ne bouge pas.
- Cet appareil ne convient pas à une installation ou à un raccordement à une alimentation en gaz réticulé.
- Assurez-vous que l'appareil est utilisé à distance de toute matière inflammable. Distances de sécurité minimales : au-dessus de l'appareil : 47'', à l'arrière et sur les côtés : 24'' (Fig. 1).
- Lors de l'utilisation d'une marmite, la taille recommandée de celle-ci doit être comprise entre 7'' et 10''.
- N'utilisez pas de surface de cuisson ou de casserole plus grande que la taille recommandée. Nos surfaces de cuisson ont été spécialement conçues pour permettre aux gaz de combustion de s'échapper et la fermeture de cet espace pourrait affecter les performances de cet appareil.
- Ne modifiez pas cet appareil, toute modification peut être dangereuse. Ne l'utilisez pas pour quoi que ce soit pour lequel il n'a pas été conçu.
- Ne déplacez pas l'appareil en cours d'utilisation.
- Ne laissez jamais l'appareil sans surveillance lorsqu'il est allumé.
- Durant l'utilisation, des pièces de l'appareil deviennent chaudes (en particulier le brûleur). Évitez de toucher les pièces chaudes à mains nues. L'utilisation de gants est recommandée.
- N'utilisez pas l'appareil si le support à récipient n'est pas en place et correctement positionné.
- L'appareil est livré avec une mallette de transport pratique.

Tuyau

- Vous devez vérifier que le flexible et le joint sur le détendeur ne sont ni usés ni endommagés avant chaque utilisation et avant le raccord à la bouteille de gaz.
- N'utilisez pas l'appareil si le tuyau est endommagé ou usé. Remplacez le tuyau.
- Ne tordez pas ni ne pincez pas le flexible.
- La longueur du flexible doit être d'au moins 31.5'' et ne doit pas dépasser 47''. Remplacez le flexible lorsque'il est endommagé, ou présente des signes de fissures ou d'écaillages.
- Si vous ne parvenez pas à corriger la fuite de gaz, n'utilisez pas l'appareil. Contacter votre fournisseur local pour obtenir de l'aide.
- Remarque : cet appareil peut être connecté directement à un camping-car/RV via un tuyau à connexion rapide approuvé de 12 pieds avec vanne d'arrêt de sécurité 1/4'' et prise mâle 1/4'' à plein débit comme illustré (Assemblage de tuyau non inclus).



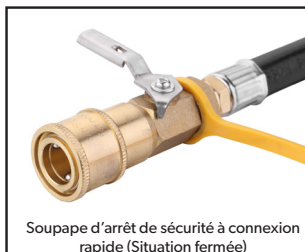
Adaptateur 1/8'' à dégagement rapide (Inclus)



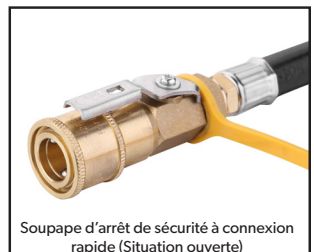
Adaptateur 1/4'' à dégagement rapide (Inclus)



Assemblage de tuyau à dégagement rapide



Soupape d'arrêt de sécurité à connexion rapide (Situation fermée)



Soupape d'arrêt de sécurité à connexion rapide (Situation ouverte)

Réservoir de gaz

- Les bouteilles de GPL utilisées doivent être fabriquées et marquées conformément aux spécifications pour les bouteilles de GPL du ministère des Transports des États-Unis ou de Transports Canada, la norme pour les bouteilles, les sphères et les tubes pour le transport de marchandises dangereuses, CAN/ CSA B339.
- Le gaz est fourni à l'unité via un tuyau et un régulateur fournis avec l'unité. Le tuyau et le régulateur sont connectés à une bouteille de propane fileté de type CGA n° 600 ne dépassant pas 1lb (Fig.2). Cet appareil peut également utiliser une bouteille de propane de 20 lb avec un tuyau et un régulateur alternatifs (non inclus). Veuillez également consulter la section 2 pour l'utilisation d'une bouteille de propane de 20 lb.
- IL POURRAIT ÊTRE DANGEREUX D'ESSAYER D'INSTALLER D'AUTRES TYPES DE CARTOUCHES À GAZ.
- Cet appareil nécessite un flexible et un détendeur pour fonctionner.
- À utiliser uniquement avec une bouteille de gaz qui ne dépasse pas 20" de hauteur (sans le régulateur) et 16" de largeur.
- Vérifiez que la bouteille à gaz est installée ou changée dans un lieu bien ventilé, de préférence à l'extérieur, à l'écart de toute source d'allumage, telle qu'une flamme nue, et à l'écart de toute autre personne.
- Tenez les bouteilles à gaz à l'écart de toute source de chaleur ou toute flamme. Ne les placez pas sur un réchaud ou toute autre surface chaude.
- Les contenants rechargeables ne doivent être utilisés qu'en position verticale pour assurer une bonne extraction du carburant. Le non-respect de cette consigne peut provoquer une décharge de liquide de la bouteille de gaz, entraînant des conditions de fonctionnement dangereuses.
- N'essayez pas de retirer la bouteille de gaz lorsque l'appareil est en cours d'utilisation.
- La bouteille de gaz doit être débranchée de l'appareil après utilisation ou pendant le stockage.

Retour de Flamme

- En cas de retour de flamme (lorsque la flamme brûle et s'allume au niveau du gicleur), coupez immédiatement l'alimentation en gaz en fermant d'abord le robinet de commande sur la bouteille de gaz, puis le robinet de l'appareil. Lorsque la flamme est éteinte, retirez le détendeur et vérifiez l'état de son joint. Remplacez le joint en cas de doute. Rallumez l'appareil. Si le retour de flamme se reproduit, renvoyez le produit à votre agent de réparation autorisé.

Fuites

- Si votre appareil présente une fuite (odeur de gaz), coupez l'alimentation en gaz, d'abord au niveau de la bouteille de gaz, puis sur votre appareil en tournant les boutons respectifs totalement dans le sens des aiguilles d'une montre. Sortez-les immédiatement dans un lieu bien ventilé et dépourvu de flamme où la fuite peut être détectée et arrêtée. Si vous souhaitez rechercher des fuites sur votre appareil, faites-le à l'extérieur. N'essayez pas de détecter les fuites à l'aide d'une flamme. Utilisez de l'eau savonneuse.

Comment vérifier que l'appareil est correctement raccordé à l'alimentation en gaz

- Il est important que tous les raccords de gaz aient été branchés correctement pour éviter toute fuite de gaz.
- La bonne manière de procéder est de frotter de l'eau savonneuse sur les joints. Si des bulles se forment, cela indique la présence d'une fuite de gaz. Coupez immédiatement l'alimentation en gaz, en fermant d'abord le robinet de commande sur la bouteille de gaz, puis le robinet de l'appareil. Vérifiez que tous les raccords sont bien en place. Procédez à une nouvelle vérification avec de l'eau savonneuse.
- Si la fuite de gaz persiste, renvoyez le produit à votre revendeur local pour inspection/réparation.

- UTILISER UNIQUEMENT DANS DES ZONES BIEN VENTILÉES.
- RISQUE DE MONOXYDE DE CARBONE - L'UTILISATION DE CET APPAREIL DANS UN ESPACE CLOS PEUT CAUSER LA MORT. NE PAS UTILISER DANS LES CARAVANES, LES TENTES, LES EMBARCATIONS MARINES, LES VOITURES, LES MAISONS MOBILES OU DES ENDROITS SIMILAIRES.
- Cet appareil doit être utilisé uniquement dans une situation hors sol à ciel ouvert avec ventilation naturelle, sans zones stagnantes, où les fuites de gaz et les produits de combustion sont rapidement entraînés par le vent et la convection naturelle.
- Toute enceinte dans laquelle l'appareil est utilisé doit être conforme à l'un des éléments suivants :
 - Une enceinte avec des murs de tous les côtés, mais sans couverture aérienne.
 - À l'intérieur d'une enceinte partielle qui comprend une couverture aérienne et pas plus de deux murs.
 - À l'intérieur d'une enceinte partielle qui comprend une couverture supérieure et plus de deux murs, les dispositions suivantes s'appliquent :
 - Au moins 25 % de la surface totale du mur est complètement ouverte.
 - 30 % ou plus au total des zones restantes des murs latéraux, arrière et avant sont ouvertes et sans restriction.
 - Dans le cas des balcons, 20 % ou plus de la surface totale des murs doivent rester ouverts et sans restriction.

Pays d'utilisation	US & Canada
Gaz autorisés	LPG
Pression de fonctionnement	2.74 kPa
Utilisation nominale	7Mj/hour
Entrée de chaleur nominale brute	7513 BTU
Numéro de gicleur	73
Sources d'alimentation en gaz (non fournies) :	
a)	Une bonbonne de gaz rechargeable n'exédant pas 20 lb et conforme à la réglementation locale en vigueur.
b)	une bouteille de propane fileté de type CGA n° 600 ne dépassant pas 2,2 lb

2. Installation et remplacement de la bouteille de gaz

- Raccordement de l'alimentation en gaz**
- Avant de raccorder l'appareil à une bouteille de gaz, assurez-vous que le joint en caoutchouc sur le détendeur est présent et en bon état.
 - Avant de connecter le tuyau et le régulateur à l'appareil, assurez-vous que le bouton de commande de l'appareil est en position "OFF". Utilisez l'adaptateur à dégagement rapide 1/8" (inclus) pour faciliter la connexion au tuyau à dégagement rapide 1/8" 1"-20 régulateur UNEF (inclus) lors de la connexion à un bidon de 1 lb
 - Procédez à cette vérification chaque fois que vous raccordez l'appareil à une bouteille de gaz.
 - Soufflez sur l'ouverture de la bouteille pour retirer toute poussière afin d'éviter une obstruction éventuelle du gicleur.
 - Fixez un tuyau et un régulateur approuvés à l'appareil.
 - Utilisez uniquement le flexible tel qu'il est fourni pour le raccordement à l'alimentation en gaz.
 - Assurez-vous que l'alimentation en gaz (bouteille de gaz/cartouche de gaz) est installée dans un endroit bien ventilé, à l'écart de toute source d'inflammation, telle que des flammes nues et à l'écart d'autres personnes.
 - Ne tordez pas ni ne pincez pas le flexible. Assurez-vous qu'il est tenu éloigné du corps de l'appareil, de manière à éviter toute détérioration / tout dommage du flexible en raison de la chaleur.
 - Assurez-vous que la bouteille de gaz est maintenue en position verticale à tout moment. Raccordez la bouteille en vissant fermement à la main jusqu'à engagement complet.
 - S'assurer de l'obtention d'une parfaite étanchéité au gaz (vérifier l'odeur de gaz autour du raccord). Ne pas vérifier les fuites avec une flamme nue. Utilisez uniquement de l'eau savonneuse tiède, appliquée sur les joints et les raccords de l'appareil. Toute fuite apparaîtra sous forme de bulles autour de la zone de fuite.
 - Si vous ne parvenez pas à corriger la fuite de gaz, n'utilisez pas l'appareil. Contacter votre fournisseur local pour obtenir de l'aide.
 - La bouteille de 20 lb doit avoir une vanne d'arrêt avec une fonction OPD (dispositif de protection contre les débordements). La fonction de sécurité OPD est identifiée par un volant triangulaire unique. (Fig 2b)

Comment déconnecter et changer l'alimentation en gaz

- Après utilisation, tournez le bouton de commande de l'appareil sur la position « OFF » et fermez l'arrivée de gaz.
- Lorsque vous devez remplacer votre bouteille vide, assurez-vous que le gaz est fermé au robinet de la bouteille.
- Ne fumez pas en changeant les bidons.
- Retirez le régulateur de la bouteille vide.
- Fixez le régulateur à la bouteille pleine, voir les instructions ci-dessus pour connecter l'alimentation en gaz.
- Appliquez les mêmes procédures d'entretien et d'inspection que si vous installez une nouvelle bouteille de gaz.

Comment vérifier si votre bouteille de gaz est vide

- Le moyen le plus simple de vérifier si votre niveau de gaz est bas est de soulever votre bouteille de gaz.
- Si vous trouvez que votre bouteille de gaz est un peu plus légère que la normale, vous pouvez peser la bouteille pour déterminer la quantité de gaz qui reste. La plupart des bouteilles ont le poids vide estampillé sur le goulot ou l'anneau inférieur, et si le poids spécifié correspond au poids de votre bouteille, vous êtes à court d'essence. Sur la base de la différence de poids, vous pouvez estimer la quantité de gaz restante.

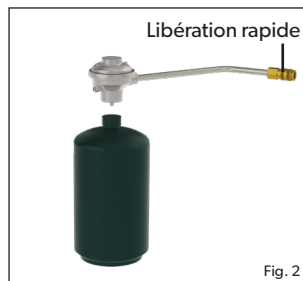


Fig. 2



Fig. 2b

3. Utilisation de l'appareil

- Lors de l'utilisation de cet appareil, veillez à ce que toutes les pièces soient en bon état de fonctionnement et que vous avez vérifié l'absence de fuites de gaz avant d'allumer l'appareil à chaque utilisation.
- Les surfaces de cuisson peuvent être simplement placées et sont prêtes à l'emploi. Aucun assemblage requis.
- **REMARQUE:** Veuillez vous assurer que la totalité du plastique et de l'emballage de protection a été retirée de l'appareil avant toute utilisation.
- L'appareil est conçu pour une utilisation avec des récipients de cuisson d'un diamètre compris entre 7" et 10".

Précautions à observer avant l'allumage.

- Utilisez cet appareil uniquement sur une surface ferme et plane.
- Après un stockage prolongé, inspectez l'appareil à la recherche d'insectes et de toiles d'araignées susceptibles d'affecter le débit de gaz.

Allumer l'appareil à l'aide du piézo

- Il est recommandé d'enlever toute surface de cuisson lorsque vous essayez d'allumer l'appareil, afin de mieux voir quand le brûleur est allumé.
- Pour allumer l'appareil à l'aide de l'allumeur piézo, appuyez et tournez le bouton de commande de 90° dans le sens inverse des aiguilles d'une montre, puis appuyez sur le bouton piézo pour allumer le gaz (voir Fig. 3). Si le gaz ne s'allume pas à la première étincelle, remettez le bouton de commande en position "OFF". Essayez à nouveau, en appuyant et en tournant le bouton de commande dans le sens antihoraire et en appuyant sur le bouton piézo pour allumer le gaz. Si le gaz ne s'est pas enflammé dans les deux ou trois premières secondes, la soupape de commande doit être fermée en tournant le bouton de commande sur la position "OFF".
- Attendez environ trente secondes pour laisser s'échapper tout gaz accumulé dans le brûleur. Répétez le processus ci-dessus, si nécessaire, jusqu'à ce que la flamme s'allume. La flamme devrait normalement s'allumer dans la première à deux secondes.

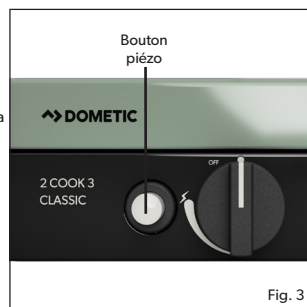


Fig. 3

Allumer avec un allume-barbecue

- Lors d'un démarrage à froid, l'appareil peut être allumé par le haut avant d'installer la surface de cuisson souhaitée. Lorsque vous allumez un appareil chaud, il est recommandé de le faire en insérant un allume-barbecue dans l'un des trous d'aération sous le brûleur, jusqu'à ce qu'il soit aligné avec le brûleur (NE PAS placer l'allume-barbecue dans le grand trou directement sous le brûleur). Allumez l'allume-barbecue. Pendant que l'allume-barbecue est allumé, poussez et tournez le bouton de commande dans le sens inverse des aiguilles d'une montre pour allumer le brûleur.

Général

- Une fois l'appareil allumé, l'intensité de la flamme peut être réglée en tournant le bouton de commande dans le sens antihoraire pour diminuer la flamme ou dans le sens horaire pour l'augmenter.
- Lors de la cuisson d'aliments à forte teneur en matières grasses, des flambées peuvent se produire si le niveau de chaleur est trop élevé. Si cela se produit, baissez le feu jusqu'à ce que les poussées s'arrêtent.
- Ne déplacez pas l'appareil lorsqu'il est en cours d'utilisation. Il est dangereux de déplacer l'appareil lorsqu'il est allumé et cela peut provoquer des poussées.
- Après utilisation, fermez d'abord le robinet de commande de la bouteille de gaz (le cas échéant). Lorsque la flamme s'est éteinte, fermer la vanne de régulation de l'appareil

4. Liste des composants

Code produit: 203P1-20



Code produit: 203P1 -10



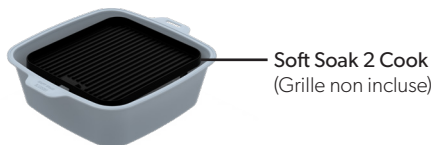
Code Produit: 203M1-20



Code Produit: 203M1-10



Les éléments suivants ne sont pas inclus et sont vendus séparément. Demandez à votre revendeur local la disponibilité.



5. Options de cuisson GreenGrill

Cuisson GreenGrill

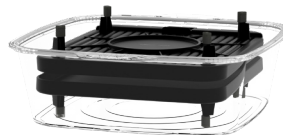
La plupart des surfaces de cuisson ont notre revêtement GreenGrill. Ce revêtement céramique est totalement exempt de PFOA ; Il est composé de matières organiques et ne contient donc pas de substances toxiques. GreenGrill garantit une cuisine plus saine !

PRÉPARATION ET UTILISATION

- « Assaisonnement » : avant d'utiliser la surface de cuisson pour la première fois, vous pouvez l'assaisonner pour donner à la surface de cuisson une fine couche protectrice qui empêche les aliments de coller. Ce n'est pas obligatoire mais nous le recommandons. C'est très simple : frottez légèrement l'huile de cuisson sur la surface, puis placez à feu moyen pendant 2 à 3 minutes. Lorsqu'elle refroidit, lavez la surface de cuisson à l'eau savonneuse avant utilisation et graissez-la légèrement avec de l'huile (huile de cuisson de votre choix, par exemple de l'huile de tournesol). C'est prêt à partir!
- Remarque : le revêtement GreenGrill conduit mieux la chaleur que les produits avec un revêtement antiadhésif ordinaire (PTFE). Nous vous recommandons donc de n'utiliser que 75% de la puissance de ce à quoi vous êtes habitué.
- Ne laissez jamais l'huile de cuisson sur la source de chaleur sans huile. Appliquez une fine couche d'huile à l'aide d'un essuie-tout ou d'un pinceau avant de placer la surface de cuisson sur la source de chaleur. Assurez-vous d'avoir huilé toutes les pièces, donc avec par ex. une grille de barbecue comprend également les bords surélevés.
- Nous recommandons la friture dans de l'huile de tournesol ou de colza en raison du point de combustion élevé. L'huile d'olive peut avoir un point de combustion relativement bas, ce qui peut faire en sorte que les ingrédients collent à la poêle ou brûlent. Nous vous déconseillons donc d'utiliser de l'huile d'olive. Astuce : amener la viande ou le poisson à température ambiante avant de les faire frire. Cela évitera de coller à la surface de cuisson.
- Utilisez toujours des ustensiles en silicone et/ou en bois afin de ne pas endommager le revêtement GreenGrill. N'utilisez jamais d'ustensiles en métal car cela pourrait endommager le revêtement.

NETTOYAGE

- Laissez la table de cuisson refroidir avant de la nettoyer. Des changements extrêmes de température peuvent déformer la surface de cuisson.
- Le revêtement GreenGrill est "Easy Clean". Pour nettoyer les surfaces de cuisson revêtues de GreenGrill, utilisez simplement de l'eau chaude savonneuse avec une éponge douce. Évitez les éponges abrasives ou la laine d'acier.
- Si des particules d'aliments restent sur la surface de cuisson suite à une utilisation précédente, elles peuvent adhérer au revêtement, provoquant des taches brunes. Dans ces endroits, les ingrédients peuvent coller à la table de cuisson car le couvercle n'est plus atteint. Assurez-vous que ces taches ont été correctement éliminées avant utilisation.
- Pour les taches tenaces ou les résidus sur la poêle à paella ou la poêle du chef, vous pouvez essayer de faire tremper toute la nuit dans de l'eau chaude savonneuse à l'aide de notre Soft Soak pratique ou utiliser la « méthode au vinaigre »: verser une couche de vinaigre dans la poêle et chauffer légèrement la poêle. Le vinaigre ne doit pas bouillir et surtout ne pas s'évaporer complètement. Versez le vinaigre de la casserole, nettoyez la casserole avec de l'eau savonneuse et la casserole est comme neuve. Remarque : Le vinaigre de chauffage peut dégager une odeur désagréable.
- Lorsque vous utilisez le Soft Soak, nous vous recommandons de placer la surface de cuisson face vers le bas, ce qui permet un trempage maximal et utilise également moins d'eau. Notez que le Soft Soak 2 Cook peut faire tremper les deux grilles simultanément. Pour ce faire, placez une grille de cuisson face vers le haut et l'autre face vers le bas, comme indiqué sur les images.
- Sécher avec un chiffon doux et c'est tout!



ENTRETIEN

- Nous recommandons d'ajouter un peu d'huile sur la surface de cuisson après le nettoyage et de l'étaler avec du papier absorbant. L'huile scelle la surface de l'air extérieur et de l'humidité. Cela garantit également que les aliments ne brûlent pas dans la surface.
- Placez la surface de cuisson dans un sac en plastique avant de la mettre dans son sac de rangement afin de vous assurer que le sac de rangement reste propre et sans huile.
- Le sac de rangement évite d'endommager le revêtement GreenGrill et votre produit.

Options de cuisson

- Voici les options de cuisson disponibles.

Grill: Cette option de cuisson est idéale pour griller sans huile du poulet, des saucisses, des côtelettes, des brochettes, du poisson ou des légumes. Pour ce type de cuisson, utilisez la 'plaque grill'.

Attention: Veuillez noter que lors de la cuisson de viandes grasses, la graisse éclabousse l'appareil, ce qui peut provoquer des poussées. Soyez prudent lorsque vous manipulez ce type de viande. Les températures de cuisson sont facilement ajustées en fonction de vos propres besoins en tournant le bouton de commande pour régler le degré de chaleur.

Fire: Cette option est idéale pour les sautés, le poisson, le petit-déjeuner, les crêpes, les crevettes, la paella et les légumes. Utilisez le grill plat pour ce type de cuisson. Veuillez noter qu'en tant que poêle peu profonde, elle ne convient que pour la friture peu profonde. La surface facile à nettoyer encourage une utilisation minimale de matières grasses pour une cuisson saine.

Ébullition: Pour ce type de cuisson, placez le support de casserole dans ses rainures de positionnement en vous assurant qu'il est bien en place. Placez un pot approprié (pas moins de 7" de diamètre et pas plus de 10" de diamètre). Un litre d'eau bout en 6 minutes environ selon les conditions, la taille de la casserole utilisée, etc.

Remarque: Lorsque vous utilisez des casseroles de petite taille, n'essayez pas d'utiliser des casseroles avec des poignées en plastique car elles peuvent devenir extrêmement chaudes.

Paella: Cette option de cuisson est idéale pour préparer des paellas, des risottos, des plats de pâtes, des petits déjeuners traditionnels, etc. La Paella Pan est fabriquée à partir d'un aluminium pressé de haute qualité qui permet une excellente répartition et rétention de la chaleur.

Café: Cette option est idéale pour préparer une tasse de café chaud. Idéal pour tout moment, n'importe où.

6. Nettoyage

- Nous vous recommandons de nettoyer votre appareil après chaque utilisation. Cela prolongera sa durée de vie.
- Laissez refroidir l'appareil avant de le nettoyer.
- Utilisez un chiffon humide essoré dans une solution d'eau savonneuse pour nettoyer les surfaces extérieures.
- Pour nettoyer le corps de l'appareil, il vous suffit de l'essuyer avec un linge humide, avec un peu de détergent, si nécessaire.
- NE L'IMMERGEZ PAS DANS DE L'EAU, car cela laisserait entrer de l'eau dans le tube du brûleur, entraînant un mauvais fonctionnement de l'appareil.
- La plaque du grill est recouverte d'un revêtement antiadhésif en céramique résistant et durable qui a été utilisé avec beaucoup de succès sur certains des meilleurs ustensiles de cuisine au monde. Néanmoins, en prendre soin peut vous aider à profiter des années supplémentaires d'une cuisson saine, facile et antiadhésive.
- Bien que le revêtement antiadhésif en céramique soit très résistant, il peut facilement être endommagé par l'utilisation d'ustensiles de cuisine en métal. Il est donc recommandé de n'utiliser que des ustensiles en plastique ou en bois pour cuisiner.
- Laissez toujours le grill/plat plat refroidir avant de le plonger dans l'eau.
- Assurez-vous qu'aucune eau n'entre en contact avec les brûleurs ou la veilleuse/l'éclairage. Essayez complètement l'appareil avant de l'utiliser.
- N'utilisez pas de nettoyeurs abrasifs car ils pourraient endommager les surfaces.
- Nettoyez l'appareil après chaque utilisation. Après le nettoyage, reconditionnez la surface de cuisson avec un léger chiffon d'huile.
- N'utilisez pas d'appareil à vapeur haute pression ou de jet d'eau pour nettoyer l'appareil.
- Remarque: Pour les taches tenaces, le nettoyeur pour four CADAC peut être utilisé.

7. Stockage

- Laissez toujours l'appareil refroidir et être nettoyé avant de le ranger.
- Coupez l'alimentation en gaz de l'appareil, débranchez et retirez l'alimentation en gaz de l'appareil.
- Ne rangez jamais un appareil avec l'alimentation en gaz branchée, c'est une pratique dangereuse.
- Rangez l'appareil et l'alimentation en gaz dans un endroit bien aéré, à l'écart des matériaux combustibles. Le stockage des bouteilles doit de préférence être à l'extérieur et ne doit PAS être dans un sous-sol.

8. Entretien et dépannage

Entretien

- Si vous nettoyez et entretenez régulièrement votre appareil, sa durée de vie se prolongera et les risques de problèmes diminueront.
- Cet appareil ne nécessite pas d'entretien programmé.
- Cet appareil ne doit être entretenu que par une personne autorisée.
- Vérifiez régulièrement votre tuyau de gaz et ses raccords pour tout signe de fuite et chaque fois que la bouteille de gaz est remplie ou montée sur l'appareil à chaque utilisation.

Dépannage

En cas d'éclaboussures de flammes ou d'obstruction du jet :

- Nettoyez les orifices du brûleur en cas de déversement.
- Il est recommandé de nettoyer ou de remplacer la buse à jet tous les six (6) mois pour assurer un fonctionnement efficace et continu de l'appareil.
- Si l'appareil fonctionne mal après le stockage et que toutes les vérifications n'ont pas isolé le problème, la buse du jet peut être bloquée. Un jet bloqué serait indiqué par une flamme jaunâtre plus faible ou pas de flamme dans les cas extrêmes. Dans ces circonstances, il sera nécessaire d'enlever, d'inspecter et de nettoyer soigneusement tout corps étranger qui pourrait s'être accumulé dans l'appareil.
- Cela peut être fait en retirant la buse à jet avec des outils standard et en soufflant tous les débris de la buse à jet, ou vous pouvez acheter de nouvelles buses à jet dans votre magasin local. N'essayez pas de nettoyer mécaniquement la buse du jet.

Remplacement d'une buse à jet bloqué :

- L'appareil est équipé d'une buse à jet spécialement dimensionnée pour réguler la bonne quantité de gaz.
- Si la buse du jet est obstruée, il peut y avoir une petite flamme ou pas de flamme. N'essayez pas de nettoyer la buse à jet avec une aiguille ou un dispositif similaire, car cela pourrait endommager l'ouverture et rendre l'appareil dangereux.

Pour remplacer la buse à jet :

Retirez toutes les surfaces de cuisson, fermez le couvercle et retournez l'appareil.

Dévissez soigneusement le panneau inférieur en retirant les vis (Fig. 4).

Desserrez la vis sur les brûleurs concernés (Fig. 5), desserrez soigneusement le brûleur et laissez-le tomber comme indiqué pour révéler la buse. A noter que le brûleur est connecté au câble piézoélectrique, après avoir remplacé la buse de jet et l'avoir remonté, vérifier que ce câble est toujours connecté.

La buse à jet est maintenant visible sur la valve, utilisez une clé appropriée pour retirer la buse (Fig. 6).

N'utilisez pas de pinces sur la buse à jet car cela pourrait endommager la buse à jet et la rendre inutilisable ou impossible à retirer.

Visser la nouvelle buse à jet sur la valve. Ne pas trop serrer car cela pourrait endommager la buse du jet.

- Procédez en sens inverse pour remonter l'appareil.

Remplacement du tuyau :

- Le montage d'un flexible est décrit au chapitre 2.

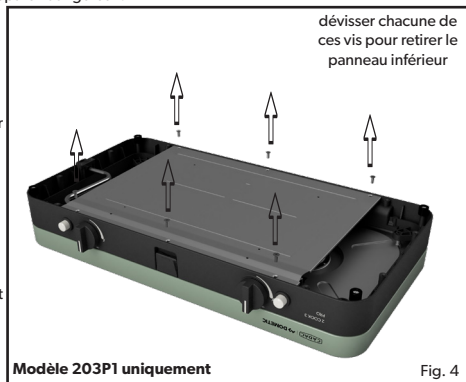


Fig. 4

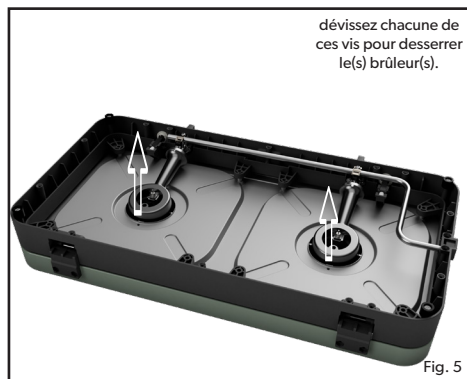


Fig. 5

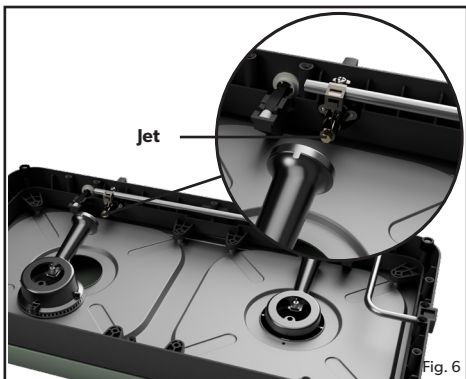


Fig. 6

9. Pièces de rechange et accessoires

- Utilisez toujours des pièces de rechange d'origine car elles ont été conçues pour offrir des performances optimales.

Pièces de rechange				Accessoires	
Article	Numéro de rechange	Article	Numéro de rechange	Article	Accessoire n°
	202-SP004		202-SP011		203-100
	202-SP012		202-SP020		203-900 (Grille non incluse)
	203P-SP001		203P-SP002 (Negro)		8640
	203P-SP003		203P-SP005		
	203P-SP008		203P-SP011		
	203P-SP015		203P-SP016		
	HM6-073				

10. Garantie

Front Runner Outfitters garantit par le présent document à l'ACHETEUR ORIGINAL de cet appareil à gaz Front Runner Outfitters, qu'il sera exempt de défaut matériel et de fabrication à compter de la date d'achat, comme suit:

Robinets:	2 ans
Pièces en plastique:	Aucune garantie
Pièces en émail:	2 ans
Brûleurs:	1 an

La garantie ne s'appliquera que si l'unité est assemblée et utilisée conformément aux instructions imprimées.

Front Runner Outfitters peut demander une preuve raisonnable de votre date d'achat. **AUSSI, VOUS DEVEZ CONSERVER VOTRE TICKET DE CAISSE OU VOTRE FACTURE.**

Cette garantie limitée devra être limitée à la réparation ou au remplacement des pièces qui s'avèrent défectueuses en cas d'utilisation et de service normaux, et qui devront indiquer leur défectuosité lors d'un examen, à la satisfaction de Front Runner Outfitters. Avant de renvoyer toute pièce, contactez le représentant du service à la clientèle de votre région à l'aide des coordonnées fournies avec votre manuel. Si Front Runner Outfitters confirme la défaillance et approuve la demande, Front Runner Outfitters choisira de remplacer de telles pièces sans frais. Front Runner Outfitters renverra les pièces à l'acheteur, transport et frais de port prépayés.

Cette Garantie limitée ne couvre aucune défaillance ni difficulté de fonctionnement due à un accident, un mauvais traitement, une mauvaise utilisation, une altération, un usage impropre, du vandalisme, une mauvaise installation ou un mauvais entretien ou service, ou la non-réalisation de l'entretien normal et de routine, notamment, mais sans s'y limiter, des dommages causés par des insectes dans les tubes de brûleur, comme exposé dans ce manuel du propriétaire. Une détérioration ou des dommages dus à des conditions météorologiques extrêmes, telles que de la grêle, des ouragans, des tremblements de terre ou des tornades, une décoloration due à une exposition à des produits chimiques soit directement, soit dans l'atmosphère, ne sont pas garantis par cette Garantie limitée.

Il n'existe aucune garantie expresse autre qu'indiqué dans le présent document et toute garantie implicite applicable de qualité marchande et d'aptitude à l'emploi est limitée en durée à la période de couverture de cette Garantie limitée écrite expresse. Certaines régions ne permettent pas de limite sur la durée d'une garantie implicite. Aussi, cette limite peut ne pas être applicable dans votre cas.

Front Runner Outfitters n'est pas responsable de tout dommage spécial, indirect ou consécutif. Certaines régions n'autorisent pas l'exclusion ou la limitation des dommages indirects ou consécutifs. Aussi, cette limite ou cette exclusion peut ne pas être applicable dans votre cas.

Front Runner Outfitters n'autorise aucune personne ni entreprise à assumer toute obligation ou responsabilité de sa part en rapport avec la vente, l'installation, l'utilisation, le retrait, le retour ou le remplacement de son matériel ; et aucune représentation telle ne lie Front Runner Outfitters.

La présente garantie s'applique uniquement aux produits vendus au détail.

Pour apprécier et garantir la longévité de votre produit Front Runner Outfitters, veuillez vous reporter à la section sur le nettoyage et l'entretien du manuel de l'utilisateur, en portant une attention particulière aux précautions liées à l'acier inoxydable.

PARA SU SEGURIDAD

Si huele gas:

1. No intente encender el aparato.
2. Apague cualquier llama viva.
3. Desconecte del suministro de combustible.

PARA SU SEGURIDAD

No guarde ni use gasolina u otros líquidos con vapores inflamables en las cercanías de este o cualquier otro aparato.



¡PELIGRO!



PELIGRO DEL MONÓXIDO DE CARBONO

Este aparato puede producir monóxido de carbono, que no tiene olor.

Usarlo en un espacio cerrado puede ser mortal.

Nunca utilice este aparato en un espacio cerrado, como una casa rodante, tienda, automóvil o en el hogar.

PRECAUCIÓN

¡Sólo para usar al aire libre!

¡Este aparato no se puede utilizar en lugares cerrados como un balcón exterior, un porche o una zona de entretenimiento!

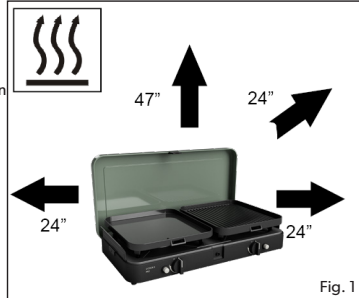
IMPORTANTE

Lea las instrucciones de uso con cuidado para familiarizarse con el aparato antes de conectarlo al recipiente de gas. Guarde estas instrucciones para futura referencia.

1. Información de seguridad

Estas instrucciones son para su seguridad y para ayudarlo a evitar el riesgo de lesión y/o daño. Todas las garantías se caducarán si usted no sigue estas instrucciones.

- Este aparato cumple con las normas BS EN 484.
- Los aparatos de gas requieren ventilación para un rendimiento eficiente y para garantizar la seguridad de los usuarios y otras personas en las inmediaciones. No utilice el aparato en un área sin ventilación. Está diseñado solo para uso en exteriores.
- La habitación donde se usa este aparato debería tener una ventana o una puerta que pueda abrirse total o parcialmente durante el uso. Si no hay una ventana o puerta disponible para la ventilación de la habitación, se debe instalar ventilación extra para su seguridad.
- Asegúrese de usar el aparato en una zona bien ventilada.
- **ADVERTENCIA: LAS PIEZAS ACCESIBLES PUEDEN ESTAR MUY CALIENTES. MANTENGA A LOS NIÑOS PEQUEÑOS ALEJADOS.**
- Lea estas instrucciones antes de utilizar el aparato.
- **¡Usar en exteriores solamente!**

**Montaje y uso**

- No use el dispositivo si tiene sellos dañados o desgastados.
- No utilice un aparato con pérdida, dañado o que no funcione correctamente.
- Maneje el aparato con cuidado, no lo deje caer.
- Siempre opere el aparato sobre una superficie firme y nivelada.
- Asegúrese de que el producto armado quede estable y que no se balancee.
- Este aparato no es adecuado para su instalación o conexión a un suministro de gas principal.
- Asegúrese de que el aparato se utilice lejos de materiales inflamables. Las distancias mínimas seguras son: Sobre el aparato: 47", en la parte posterior y en los lados: 24" (fig. 1).
- Al usar una olla, el tamaño mínimo recomendado de la olla es de 7" y el tamaño máximo recomendado es de 10".
- No utilice ninguna superficie de cocción u olla que sea más grande que el tamaño recomendado. Nuestras superficies de cocción han sido diseñadas específicamente para permitir que escape la combustión de gas y el cierre de este espacio podría afectar el rendimiento de este electrodoméstico.
- No modifique este aparato, cualquier modificación puede ser peligrosa. No lo utilice para nada para lo que no haya sido diseñado.
- No mueva el aparato mientras lo esté utilizando.
- No deje nunca el aparato sin atender cuando esté encendido.
- Durante el uso, las partes del aparato se calienta (particularmente el quemador). Evite tocar las partes calientes con las manos sin protección. Se recomienda el uso de manoplas de cocina.
- No use el aparato sin el soporte para ollas en el lugar y adecuadamente ubicados.
- La unidad viene con un práctico estuche de transporte.

Manguera

- Debe verificarse la manguera y el sello en el regulador para detectar desgaste o daños antes de cada uso y antes de la conexión con el cilindro de gas.
- No utilice el aparato si la manguera está dañada o desgastada. Reemplace la manguera.
- No retuerza ni aplaste la manguera.
- La longitud de la manguera no debe ser menor de 31.5" y no superará 47". Sustituya la manguera cuando esté dañada o muestre signos de sequedad o resquebrajamiento.
- **Nota:** Este dispositivo se puede conectar directamente a una casa rodante/caravana a través de una manguera RV de conexión rápida de 12 pies aprobada con válvula de cierre de seguridad de 1/4" y tapón macho de flujo completo de 1/4" como se muestra en la imagen (juego de mangueras no incluido).



Contenedor de gas

- Los cilindros de gas LP utilizados deben estar contruidos y marcados de acuerdo con las especificaciones para cilindros de gas LP del Departamento de Transporte de EE. UU. o Transport Canada, el estándar para cilindros, esferas y tubos para el transporte de mercancías peligrosas, CAN/ CSA B339.
- El gas se suministra a la unidad a través de una manguera y un regulador suministrado con la unidad. La manguera y el regulador están conectados a un cilindro de propano de rosca tipo CGA No. 600 que no exceda las 11 libras (Fig.2). Este aparato también puede usar un cilindro de propano de 20 libras con un conjunto alternativo de manguera y regulador (no incluido). Consulte también la Sección 2 para el uso de un cilindro de propano de 20 libras.
- PODRÍA SER PELIGROSO INTENTAR AJUSTAR OTROS TIPOS DE CARTUCHOS DE GAS.
- Este aparato requiere de una manguera y reguladora para funcionar.
- Solo para ser usado con un cilindro de gas que no exceda las 20" de altura (sin incluir el regulador) y 16" de ancho.
- Asegúrese de que el cilindro de gas esté bien fijo o cámbielo a un área bien ventilada, preferentemente en el exterior, lejos de cualquier fuente de ignición como por ejemplo, llamas abiertas y lejos de otras personas.
- Mantenga los cilindros de gas lejos del calor y las llamas. No lo coloque sobre una estufa o sobre ninguna otra superficie caliente.
- Los contenedores recargables deben usarse solo en posición vertical para garantizar la extracción adecuada del combustible. El incumplimiento de esto puede causar la descarga de líquido del contenedor de gas, lo que resulta en condiciones de funcionamiento peligrosas.
- No intente retirar el contenedor de gas mientras el aparato está en funcionamiento.
- El contenedor de gas debe desconectarse del aparato después de su uso o durante el almacenamiento.

Retroceso de la llama

- En el caso de retroceso de la llama (cuando la llama retrocede y se enciende en la boquilla), apague inmediatamente el suministro de gas cerrando la válvula de control en el cilindro de gas y luego la válvula del aparato. Después de que se extinga la llama, quite el regulador y revise la condición de su sello. Sustituya el sello si tiene dudas. Vuelva a encender el aparato. Si se producen retrocesos de las llamas en forma persistente, devuelva el producto a su agente de reparación autorizado de CADAC BV.

Fugas

- Si hay una pérdida en su aparato (olor a gas), apague el suministro de gas, en primer lugar en el cilindro de gas y luego en su aparato girando las perillas respectivas totalmente en el sentido de las agujas del reloj. Sáquelos afuera inmediatamente a un lugar bien ventilado y sin llamas donde se pueda detectar y detener la pérdida. Si desea revisar el aparato para ver si hay pérdidas, hágalo al aire libre. No intente detectar pérdidas utilizando fuego, utilice agua jabonosa.

Cómo comprobar que el aparato está conectado correctamente al suministro de gas

- Es importante que todas las conexiones de gas estén correctamente conectadas para evitar cualquier pérdida de gas.
- La forma correcta es empapar las juntas con agua jabonosa. Si se forman burbujas, entonces hay una pérdida de gas. Apague inmediatamente el suministro de gas, primero cerrando la válvula de control en el cilindro de gas y luego la válvula del aparato; revise que todas las conexiones estén adecuadamente ajustadas. Vuelva a revisar utilizando agua jabonosa. Si persiste la pérdida de gas, devuelva el producto a su distribuidor de CADAC BV para inspección / reparación.
- Si persiste la fuga de gas, devuelva el producto a su distribuidor local para su inspección/reparación.
- UTILICE ÚNICAMENTE EN ÁREAS BIEN VENTILADAS.
- PELIGRO DE MONÓXIDO DE CARBONO - EL USO DE ESTE APARATO EN UN ESPACIO CERRADO PUEDE CAUSAR LA MUERTE. NO UTILIZAR EN CARAVANAS, CARPAS, EMBARCACIONES MARÍTIMAS, AUTOMÓVILES, CASAS MÓVILES O LUGARES SIMILARES.
- Este aparato solo debe usarse en una situación al aire libre sobre el suelo con ventilación natural, sin áreas estancadas, donde las fugas de gas y los productos de la combustión son rápidamente causados por el viento y la convección natural.
- Cualquier recinto en el que se utilice el aparato deberá cumplir con uno de los siguientes:
 - Un recinto con paredes en todos los lados, pero sin cubierta superior.
 - Dentro de un recinto parcial que incluye una cubierta superior y no más de dos paredes.
 - Dentro de un cerramiento parcial que incluya una cubierta superior y más de dos paredes, se aplicará lo siguiente:
 - Al menos el 25% del área total de la pared está completamente abierta.
 - El 30% o más en total de las áreas restantes de la pared lateral, trasera y frontal está abierta y sin restricciones.
 - En el caso de balcones, el 20% o más del área total de la pared deberá permanecer abierta y sin restricciones.

País de uso	US & Canada
Gases permitidos	LPG
presión de funcionamiento	2.74 kPa
Uso nominal	7Mj/hour
Entrada de calor nominal bruta	7513 BTU
Número de la boquilla	73
Fuentes de suministro de gas (no suministradas):	
a)	Un contenedor de gas recargable que no exceda las 20 lb y que cumpla con la normativa local vigente.
b)	un cilindro de propano con rosca tipo CGA No. 600 que no exceda las 2.2 lb

2. Colocación y cambio del cilindro de gas

Conexión del suministro de gas

- Antes de conectar el aparato a un cilindro de gas, asegúrese de que el sello de goma en el regulador esté en posición y en una buena condición.
- Antes de conectar la manguera y el regulador al dispositivo, asegúrese de que la perilla de control del dispositivo esté en la posición "OFF". Use el adaptador de liberación rápida de 1/8" (incluido) para facilitar la conexión al tubo de liberación rápida de 1/8" El regulador UNEF de 1"-20 (incluido) cuando se conecta a un recipiente de 1lb
- Realice esta revisión cada vez que ajuste el aparato a un cilindro de gas.
- Sople cualquier partícula de polvo que haya en el orificio del cilindro, para evitar un posible bloqueo de la boquilla.
- Conecte una manguera y un regulador aprobados al aparato.
- Utilice únicamente el conjunto de manguera tal como se suministra para la conexión al suministro de gas.
- Asegúrese de que el suministro de gas (cilindro de gas/ cartucho de gas) esté instalado en un lugar bien ventilado lejos de cualquier fuente de ignición, como llamas abiertas y lejos de otras personas.
- No retuerza ni aplaste la manguera. Asegúrese de que se dirige lejos del cuerpo de la cocina de forma tal de evitar el deterioro / daño en la manguera provocado por el calor.
- Asegúrese de que el cilindro de gas permanezca recto en todo momento. Conecte el cilindro enroscando fuertemente a mano hasta que quede completamente conectado.
- Asegúrese de que se haya hecho un sello de gas completo (verifique si hay olor a gas alrededor de la conexión). No busque fugas usando una llama abierta. Use solo agua jabonosa tibia aplicada a las juntas y conexiones del dispositivo. Cualquier fuga aparecerá como burbujas alrededor del área de la fuga.
- Si no puede rectificar la pérdida de gas, no use el aparato, comuníquese con su distribuidor CADAC BV local por ayuda.
- Si usa un cilindro de 20 lb, debe tener una válvula de cierre con una función OPD (dispositivo de protección contra sobrellenado). La función de seguridad OPD se identifica mediante un volante triangular exclusivo. (fig 2b)

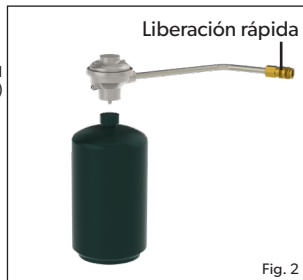


Fig. 2



Fig. 2b

Cómo desconectar y cambiar el suministro de gas

- Después de su uso, gire la perilla de control del aparato a la posición "OFF" y cierre el suministro de gas.
- Cuando necesite reemplazar su cilindro vacío, asegúrese de que el gas esté cerrado en la válvula del cilindro.
- No fume mientras cambia el cilindro.
- Retire el regulador del cilindro vacío.
- Conecte el regulador al cilindro lleno, consulte las instrucciones anteriores sobre cómo conectar el suministro de gas.
- Aplique los mismos procedimientos de cuidado y verificación que si estuviera colocando un cilindro de gas nuevo.

3. Funcionamiento del aparato

- Cuando opere este aparato, asegúrese de que todas las piezas estén en buen estado de funcionamiento y de que haya verificado que no haya fugas de gas antes de encender el aparato con cada uso.
- Las superficies de cocción se pueden colocar fácilmente y están listas para usar. No requiere montaje.
- **POR FAVOR, TENGA EN CUENTA:** asegúrese de quitarle al aparato todo el embalaje protector y el plástico antes de usarlo.
- El aparato fue diseñado para usar con recipientes de cocina que no debe ser menos de 7" de diámetro y que no excedan los 10" de diámetro.

Precauciones a observar antes del encendido.

- Utilice este aparato únicamente sobre una superficie firme y nivelada.
- Después de un almacenamiento prolongado, inspeccione el aparato en busca de insectos y telarañas que puedan afectar el flujo de gas.

Encendiendo el dispositivo usando el piezo

- Se recomienda quitar cualquier superficie de cocción cuando se intente encender el aparato, para que sea más fácil ver cuando el quemador está encendido.
- Para encender el aparato usando el encendedor piezoeléctrico, presione y gire la perilla de control 90° en sentido antihorario, luego presione el botón piezoeléctrico para encender el gas (vea la Fig. 3). Si el gas no se enciende con la primera chispa, gire la perilla de control nuevamente a la posición "OFF". Vuelva a intentarlo, presionando y girando la perilla de control en sentido antihorario y presionando el botón piezoeléctrico para encender el gas. Si el gas no se ha encendido dentro de los primeros dos o tres segundos, la válvula de control debe cerrarse girando la perilla de control a la posición "OFF".
- Espere aproximadamente treinta segundos para dejar escapar el gas acumulado dentro del quemador. Repita el proceso anterior, si es necesario, hasta que se encienda la llama. La llama normalmente debería encenderse dentro de los primeros uno o dos segundos.

Encendido con encendedor de barbacoa

- En caso de arranque en frío, el aparato se puede encender desde arriba antes de instalar la placa de cocción deseada. Cuando encienda un aparato caliente, se recomienda hacerlo insertando un encendedor de barbacoa a través de uno de los orificios de ventilación debajo del quemador hasta que quede al ras con el quemador (NO coloque el encendedor de barbacoa a través del orificio grande justo debajo del quemador). Enciende el encendedor de barbacoa. Mientras el encendedor de barbacoa está encendido, presione y gire la perilla de control en sentido antihorario para encender el quemador.

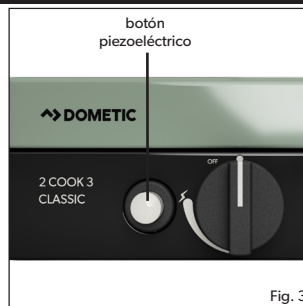


Fig. 3

Cómo comprobar si tu botella de gas está vacía

- La forma más fácil de comprobar si su nivel de gas es bajo es recoger su cilindro de gas.
- Si encuentra que su cilindro de gas es un poco más liviano de lo normal, puede pesar el cilindro para determinar cuánto gas queda. La mayoría de los cilindros tienen el peso vacío estampado en el cuello o en el anillo inferior, y si el peso especificado coincide con el peso de su cilindro, se ha quedado sin gasolina. Según la diferencia de peso, puede estimar la cantidad restante de gas.

General

- Cuando el aparato está encendido, la intensidad de la llama se puede ajustar girando la perilla de control en el sentido contrario a las agujas del reloj para disminuir la llama o en el sentido de las agujas del reloj para aumentar la llama.
- Cuando cocine alimentos con un alto contenido de grasa, pueden ocurrir destellos si el ajuste de calor seleccionado es demasiado alto. Si esto sucede, baje el fuego hasta que se detenga la llamarada.
- No mueva el aparato cuando esté en uso. Es una práctica insegura mover el aparato mientras está encendido y puede causar llamaradas.
- Después del uso, primero cierre la válvula de control en el cilindro de gas (si corresponde). Cuando la llama se apague, cierre la válvula de control del aparato.

4. Lista de componentes**Código de producto: 203P1-20****Código de producto: 203P1-10**

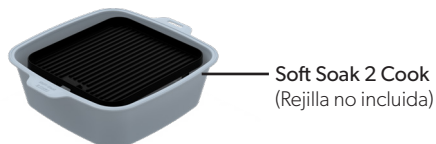
Código de producto: 203M1-20



Código de producto: 203M1-10



Los siguientes no están incluidos y se venden por separado. Pregunte a su distribuidor local por disponibilidad.



5. Opciones de cocción GreenGrill

GreenGrill Cocinando

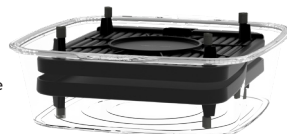
La mayoría de las superficies de cocción tienen nuestro recubrimiento GreenGrill. Este revestimiento cerámico está completamente libre de PFOA; Está compuesto por materiales orgánicos y por lo tanto no contiene sustancias tóxicas. ¡GreenGrill garantiza una cocina más saludable!

PREPARACIÓN Y USO

- Para 'sazonar' la superficie de cocción: antes de usar la placa de cocción por primera vez, puede sazonar para darle a la placa de cocción una fina capa protectora que evite que los alimentos se peguen. No es obligatorio pero lo recomendamos. Es muy fácil: frote ligeramente aceite de cocina en la superficie, luego colóquelo a fuego medio durante 2-3 minutos. Cuando esté fría, lave la superficie de cocción con agua jabonosa antes de usarla y engrásela ligeramente con un poco de aceite (aceite de cocina de su elección, por ejemplo, aceite de girasol). ¡Está listo para funcionar!
- Nota: El revestimiento GreenGrill conduce mejor el calor que los productos con un revestimiento antiadherente normal (PTFE). Por lo tanto, recomendamos usar solo el 75% de la potencia a la que está acostumbrado.
- Nunca deje la superficie de cocción sobre la fuente de calor sin aceite. Aplique una fina capa de aceite con una toalla de papel de cocina o un cepillo antes de colocar la superficie de cocción sobre la fuente de calor. Asegúrese de haber engrasado todas las piezas, por ejemplo, una parrilla de barbacoa también incluye bordes elevados.
- Recomendamos freír en aceite de girasol o aceite de colza debido al alto punto de ebullición. El aceite de oliva puede tener un punto de ebullición relativamente bajo, lo que puede hacer que los ingredientes se peguen a la sartén o se quemen. Por lo tanto, no recomendamos el uso de aceite de oliva. Consejo: lleve la carne o el pescado a temperatura ambiente antes de freírlos. Esto evitará que se pegue a la superficie de cocción.
- Utilice siempre utensilios de silicona y/o madera para evitar dañar el recubrimiento GreenGrill. Nunca use utensilios de metal ya que esto puede dañar el revestimiento.

LIMPIEZA

- Deje que la superficie de cocción se enfríe antes de limpiarla. Los cambios extremos de temperatura pueden causar la deformación de la superficie de cocción.
- El recubrimiento GreenGrill es 'Easy Clean'. El agua jabonosa tibia con una esponja suave es suficiente para limpiar las superficies de cocción con revestimiento GreenGrill. Evite los estropajos o la lana de acero.
- Si la superficie de cocción tiene restos de comida de un uso anterior, se pueden adherir al revestimiento, lo que puede provocar manchas marrones. En estos lugares, los ingredientes pueden adherirse a la superficie de cocción porque ya no se alcanza el recubrimiento. Asegúrese de que estas manchas se eliminen correctamente antes de usar.
- Para las manchas o residuos persistentes en la paellera o en la sartén del chef, puede intentar remojar durante la noche en agua jabonosa caliente utilizando nuestro práctico Soft Soak o utilizar el "método del vinagre": vierta una capa de vinagre en la sartén y caliente ligeramente la sartén. El vinagre no tiene que hervir y ciertamente no debe evaporarse por completo. Vierta el vinagre de la sartén, limpie la sartén con agua jabonosa y la sartén estará como nueva. Nota: calentar el vinagre puede desprender un olor desagradable.
- Al usar el remojo suave, recomendamos colocar la superficie de cocción boca abajo, lo que permite un remojo máximo y también usa menos agua. Tenga en cuenta que Soft Soak 2 Cook puede remojar ambas parrillas simultáneamente. Para ello coloque una rejilla hacia arriba a la derecha y la otra hacia abajo como se ve en las imágenes.
- ¡Seca con un paño suave y listo



MANTENIMIENTO

- Recomendamos añadir un poco de aceite a la superficie de cocción después de limpiarla y extenderla con papel de cocina. El aceite sella la superficie del aire exterior y la humedad. También asegura que la comida no se queme en la superficie.
- Coloque la superficie de cocción en una bolsa de plástico antes de colocarla en su bolsa de almacenamiento para asegurarse de que la bolsa de almacenamiento permanezca limpia y sin aceite.
- La bolsa de almacenamiento evita daños en el recubrimiento GreenGrill y en su product.

Opciones de cocción

- Estas son las opciones de cocción disponibles.
 - Asar a la parrilla:** esta opción de cocción es ideal para asar a la parrilla sin aceite pollo, salchichas, chuletas, kebabs, pescado o verduras. Para este tipo de cocción, utilice la 'placa grill'.
 - Precaución:** Tenga en cuenta que cuando cocine carnes grasosas, un poco de grasa salpicará la unidad, lo que puede causar llamaradas. Tenga cuidado al manipular este tipo de carnes. Las temperaturas de cocción se ajustan fácilmente para adaptarse a sus propios requisitos girando la perilla de control para regular el grado de calor.
 - Fritura:** Esta opción es ideal para salteados, pescados, desayunos, tortitas, gambas, paella y verduras. Utilice la parrilla plana para este tipo de cocción. Tenga en cuenta que, como sartén poco profunda, solo es adecuada para freír a poca profundidad. La superficie fácil de limpiar fomenta el uso mínimo de grasa para una cocina saludable.

Hirviendo: Para este tipo de cocción, coloque el soporte de la olla en sus ranuras de ubicación asegurándose de que esté bien asentado. Use una olla adecuada (no menos de 7" de diámetro y no más de 10" de diámetro). Un litro de agua hervirá en aproximadamente 6 minutos dependiendo de las condiciones, tamaño de la olla utilizada, etc.

Nota: Cuando use ollas de tamaño pequeño, no intente usar ollas con mangos de plástico, ya que pueden calentarse mucho.

Paella: Esta opción de cocción es ideal para preparar paellas, risottos, platos de pasta, desayunos tradicionales, etc. La Paella Pan está fabricada en aluminio prensado de alta calidad que permite una excelente distribución y retención del calor.

Café: Esta opción es ideal para preparar una taza de café caliente. Ideal para cualquier momento, en cualquier lugar.

6. Limpieza

- Se recomienda limpiar su aparato después de cada uso. Esto prolongará la vida de su aparato.
- Deje que el aparato se enfríe antes de limpiarlo.
- Utilice un paño húmedo escurrido en una solución de agua jabonosa para limpiar las superficies exteriores.
- Para limpiar el cuerpo de la cocina, simplemente limpie con un paño húmedo con un poquito de detergente, si fuera necesario.
- NO DEBE SUMERGIR EN AGUA ya que esto permitirá que el agua entre en el tubo del quemador provocando el mal funcionamiento del aparato.
- La placa de la parrilla está recubierta con un resistente recubrimiento antiadherente de cerámica duradero que se ha utilizado con gran éxito en algunos de los mejores utensilios de cocina del mundo. Sin embargo, cuidarlo puede ayudarlo a disfrutar de años adicionales de una cocina saludable, fácil y antiadherente.
- Aunque el recubrimiento cerámico antiadherente es muy duradero, puede dañarse fácilmente con el uso de utensilios metálicos. Por lo tanto, se recomienda que solo se utilicen utensilios de plástico o madera para cocinar.
- Siempre permita que la parrilla/placa plana se enfríe antes de sumergirla en agua.
- Asegúrese de que no entre agua en los quemadores o en el área del piloto/luz. Seque completamente el aparato antes de usarlo.
- No utilice limpiadores abrasivos ya que pueden dañar las superficies.
- Limpie el aparato después de cada uso. Después de la limpieza, reacondicione la superficie de cocción ligeramente con aceite y un paño.
- No utilice ningún equipo de vapor a alta presión o un chorro de agua para limpiar el aparato.
- Nota: Para las manchas difíciles, se puede usar el limpiador de hornos CADAC.

7. Almacenamiento

- Deje siempre que la unidad se enfríe y se limpie antes de guardarla.
- Cierre el suministro de gas al aparato, desconecte y retire el suministro de gas del aparato.
- Nunca almacene un aparato con el suministro de gas conectado, esta es una práctica insegura.
- Guarde el aparato y el suministro de gas en un área bien ventilada lejos de materiales combustibles. El almacenamiento de cilindros debe ser preferiblemente al aire libre y NO debe estar en un sótano.

8. Mantenimiento y resolución de problemas

Mantenimiento

- Si limpia y mantiene su electrodoméstico regularmente, la vida útil de su electrodoméstico se extenderá y la posibilidad de problemas disminuirá.
- Este aparato no requiere mantenimiento programado.
- Este aparato sólo debe ser reparado por una persona autorizada.
- Revise la manguera de gas y las conexiones con regularidad para detectar signos de fugas y cada vez que rellene el cilindro de gas o lo instale en el aparato con cada uso.

Resolución de problemas

En caso de salpicadura de llama o bloqueo del chorro:

- Limpie los puertos de su quemador en caso de un derrame.
- Recomendamos limpiar o reemplazar la boquilla de chorro cada seis (6) meses para asegurar un funcionamiento continuo y eficiente de su electrodoméstico.
- Si el aparato funciona de manera anormal después del almacenamiento y todas las comprobaciones no han aislado el problema, la boquilla de chorro puede estar bloqueada. Un chorro bloqueado se indicaría con una llama amarillenta más débil o sin llama en casos extremos. En estas circunstancias, será necesario retirar, revisar y limpiar a fondo cualquier materia extraña que se haya podido acumular en el aparato.
- Esto se puede hacer quitando la boquilla de chorro con herramientas estándar y soplando cualquier residuo de la boquilla de chorro, como alternativa, puede comprar boquillas de chorro nuevas en su tienda local. No intente limpiar la boquilla de chorro mecánicamente.

Reemplazo de una boquilla de chorro bloqueada:

- Su dispositivo está equipado con una boquilla de chorro de tamaño especial para regular la cantidad correcta de gas.
- Si la boquilla de chorro está obstruida, es posible que haya una llama pequeña o que no haya ninguna llama. No intente limpiar la boquilla de chorro con una aguja o dispositivo similar, ya que esto podría dañar la abertura y hacer que el dispositivo no sea seguro.

Para reemplazar la boquilla de chorro:

Retire todas las superficies de cocción, cierre la tapa y dé la vuelta al aparato.

Desenrosque con cuidado el panel inferior quitando los tornillos (Fig. 4).

Afloje el tornillo de los quemadores afectados (Fig. 5), afloje con cuidado el quemador y déjelo caer como se muestra para revelar la boquilla. Tenga en cuenta que el quemador está conectado al cable piezoeléctrico, después de reemplazar la boquilla de chorro y volver a montar, verifique que este cable aún esté conectado.

La boquilla de chorro ahora se puede ver en la válvula, use una llave adecuada para quitar la boquilla (Fig. 6).

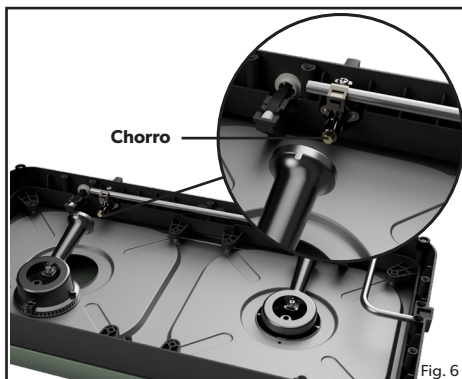
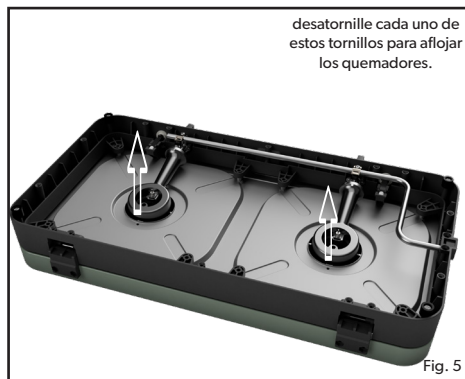
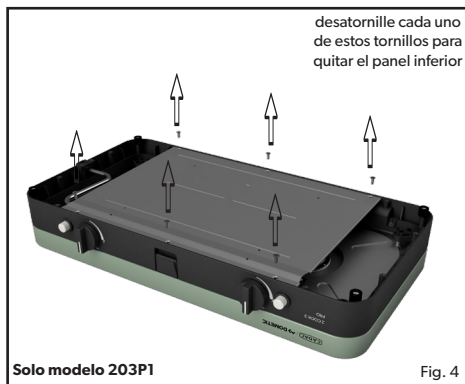
No use alicates en la boquilla de chorro, ya que esto puede dañar la boquilla de chorro y dejarla inutilizable o imposible de quitar.

Enrosque la nueva boquilla de chorro en la válvula. No apriete demasiado ya que esto puede dañar la boquilla de chorro.

- Proceda en orden inverso para volver a montar el dispositivo.

Reemplazo de la manguera:

- El montaje de una manguera se describe en la Sección 2



9. Repuestos y Accesorios

- Utilice siempre repuestos originales, ya que han sido diseñados para ofrecer un rendimiento óptimo.

Repuestos		Repuestos		Accesorios	
Artículo	No. de repuesto	Artículo	No. de repuesto	Artículo	No. de accesorio
	202-SP004		202-SP011		203-100
	202-SP012		202-SP020		203-900 (Rejilla no incluida)
	203P-SP001		203P-SP002 (Negra)		8640
			203P-SP042 (Cromo)		
	203P-SP003		203P-SP005		
	203P-SP008		203P-SP011		
	203P-SP015		203P-SP016		
	HM6-073				

10. Garantía

Front Runner Outfitters le garantiza al COMPRADOR ORIGINAL de este aparato a gas Front Runner Outfitters, que el mismo no tiene defectos en el material ni en la mano de obra, a partir de la fecha de compra, de la siguiente manera:

Válvulas:	2 años
Piezas plásticas:	Sin garantía
Piezas esmaltadas:	2 años
Cast Iron:	1 año

La garantía sólo se aplicará si la unidad está armada y se utiliza de conformidad con las instrucciones impresas.

Es posible que Front Runner Outfitters le exija una prueba razonable de la fecha de compra. POR CONSIGUIENTE, USTED DEBE CONSERVAR EL COMPROBANTE DE VENTA O LA FACTURA.

Esta garantía limitada se limitará a la reparación o el reemplazo de piezas que se compruebe que están defectuosas bajo uso y servicio normal y que al examinarlas se compruebe, para satisfacción de Front Runner Outfitters, que están defectuosas. Antes de devolver cualquier pieza, comuníquese con un representante de atención al cliente en su región, utilizando la información de contacto que se proporciona en su manual. Si Front Runner Outfitters confirma el defecto y aprueba el reclamo, elegirá reemplazar tales piezas sin cobrar. Front Runner Outfitters le devolverá las piezas al comprador, mediante flete o por franqueo postal pagado.

Esta garantía limitada no cubre ninguna falla ni dificultad de funcionamiento debido a accidentes, abusos, mal uso, alteraciones, uso indebido, vandalismo, instalación o mantenimiento incorrecto o servicio incorrecto o la falta de realización del mantenimiento normal y de rutina, incluyendo aunque no limitándose solamente a daños causados por insectos dentro de los tubos de los quemadores, de acuerdo con lo explicado en el manual del usuario.

El deterioro o daño debido a condiciones climáticas extremas, tales como granizo, huracanes, terremotos o tornados, la decoloración provocada por la exposición a productos químicos, ya sea en forma directa o en la atmósfera, no están cubiertos por esta garantía limitada.

No existe otra garantía expresa excepto la estipulada en este documento y cualquier garantía implícita que se aplique en lo que respecta a la comerciabilidad y el buen estado, se limitan en duración al período de cobertura de esta garantía limitada expresa por escrito. Algunas regiones no permiten la limitación en lo que respecta al tiempo de duración de la garantía implícita, por eso es posible que esta limitación no se aplique a usted.

Front Runner Outfitters no es responsable por ningún daño especial, indirecto o resultante como consecuencia. Algunas regiones no permiten la exclusión ni la limitación de los daños incidentales o resultantes como consecuencia. Por ese motivo es posible que esta limitación o exclusión no se aplique a usted.

Front Runner Outfitters no autoriza a ninguna persona ni empresa a asumir por sí misma cualquier obligación o responsabilidad en relación con la venta, instalación, utilización, extracción, devolución o reemplazo de su equipo y cualquiera de dichas representaciones no es vinculante para Front Runner Outfitters.

Esta garantía sólo se aplica a los productos vendidos al por menor.

CADAC SOUTH AFRICA

P.O. Box 43196,
 Industria, 2042 South Africa
 Tel: +27 11 470 6600
 Email: info@cadac.co.za
 www.cadacsa.co.za

CADAC UK

14 Deanfield Court,
 Link59 Business Park,
 Clitheroe, Lancashire,
 BB7 1QS
 United Kingdom.
 Tel: +44 (0) 333 2000363
 E-mail: info@cadacuk.com
 www.cadacinternational.com

CADAC MOZAMBIQUE

Exclusive Brands Africa
 492 Avenida Namaacha
 Maputo, Mozambique
 Tel: +258 21 406254
 www.cadac.co.mz

CADAC IRAN

Robin Bazarganan Carin Co.
 Unit D, 6th Floor, Negin Zafar
 Building, No.1327,
 Shariati Street, Tehran, Iran
 Tel: +98 21 276 00 781
 Mail: info@cadac.ir

CADAC CHINA

Room 807, Huayue International
 Building, No.255 Tiangao Road,
 South
 Yinzhou business district,
 Ningbo, China
 Tel: +86 574 87723937
 Email: info@cadac.com.cn

CADAC SWEDEN & NORWAY

KAMA FRITID AB
 0046 36 353700
 info@kamafritid.se

CADAC EUROPE

Ratio 26, 6921 RW Duiven
 The Netherlands
 Tel: +31 26 319 7740
 Email: info@cadaceurope.com
 www.cadacinternational.com

CADAC SCANDINAVIA

Millarco International A/S
 Rokhøj 26
 8520 Lystrup, Denmark
 Phone: +45 87 43 42 00
 millarco@millarco.dk
 www.millarco.com

CADAC MONTENEGRO

City kvart Z1L6
 81000 Podgorica, Montenegro
 Tel 38220671446, 38269020063
 E-mail: coca@t-com.me

CADAC DENMARK

Camper Fritid
 Industrivej 11
 6640 Lunderskov, Denmark
 Tel.: +45 7558 5255
 Email: info@camper.dk
 www.camper.dk

CADAC ZIMBABWE

Exclusive Brands Africa
 Unit 8 Birkenhead Park
 43 Josiah Chinamano Street
 Belmont, Bulawayo
 Tel: +263 971 740 (Bul)
 Tel: +263 479 2564 (Har)
 www.cadac.co.zw

CADAC GERMANY

Ratio 26, 6921 RW Duiven
 The Netherlands
 Tel: +31 26 319 7740
 Email: info@cadaceurope.com
 www.cadacinternational.com

CADAC Czech Rep.

RÖSLER Praha spol. s r.o.
 K Horkám 19/21
 102 00 Praha 10 Česká republika
 Tel: +420 267 188 011
 Email: info@rosler.cz
 www.rosler.cz

CADAC FINLAND

OY KAMA FRITID AB
 Koivuhaantie 2-4 B
 01510 VANTAA
 00358 20 792 0310
 info@kamafritid.fi

CADAC POLAND

Kamai
 Wola Batorska 461
 32-007 Wola Batorska Poland
 Tel: +48 12 635 1373
 Email: handlowy@kamai.pl
 www.kamai.pl

CADAC ZAMBIA

Exclusive Brands Africa Limited
 7225A Kachidza Road
 Light Industrial Area
 Lusaka, Zambia
 Tel: +260 211 842015
 Tel: +260977 345034
 Email: info@ebagr.com

CADAC FRANCE

Le Viallon, 42520 Veranne
 France
 Tel: +33 4 74 78 13 65
 Email: info@cadaceurope.com
 www.cadacinternational.com

CADAC NEW ZEALAND

Riverlea Group (Pty) Ltd
 2A Maui Street, Pukete,
 Hamilton 3200, New Zealand
 Tel: +64 7 847 0204
 Email: sales@riverleagroup.co.nz
 www.riverleagroup.co.nz

CADAC U.A.E.

Supreme Impex General Trading
 LLC Office No. 1801-7 Latifa
 Tower Sheikh Zayed Road
 Dubai, UAE

CADAC ITALY

Brunner SRL/GMBH
 via Buozzi, 8
 39100 Bolzano (Italy)
 Tel: +39 0471 542900
 Email: info@brunner.it
 www.brunnerinternational.com

CADAC SOUTH EAST EUROPE

Bulevar oslobodjenja 285
 Tel: +381 11 339 2700
 Email: sinisaj@cadac.rs
 www.cadac.rs

FRONT RUNNER OUTFITTER USA

29370 ROADSIDE DR.
 AGOURA HILLS, CA, 91301, USA
 1 (818) 253-1322
 www.frontrunneroutfitters.com/en/us/

FRONT RUNNER OUTFITTER RSA

CORNER FORSSMAN CLOSE AND RIVER
 ROAD, BARBEQUE DOWNS,
 KYALAMI, JOHANNESBURG
 +27 11 466 0155
 www.frontrunneroutfitters.com/en/za/

FRONT RUNNER OUTFITTER AU

UNIT 3 / 6 DEPOT ROAD
 MORTDALE NSW 2223
 AUSTRALIA
 1300 84 90 09
 www.frontrunneroutfitters.com/en/au/