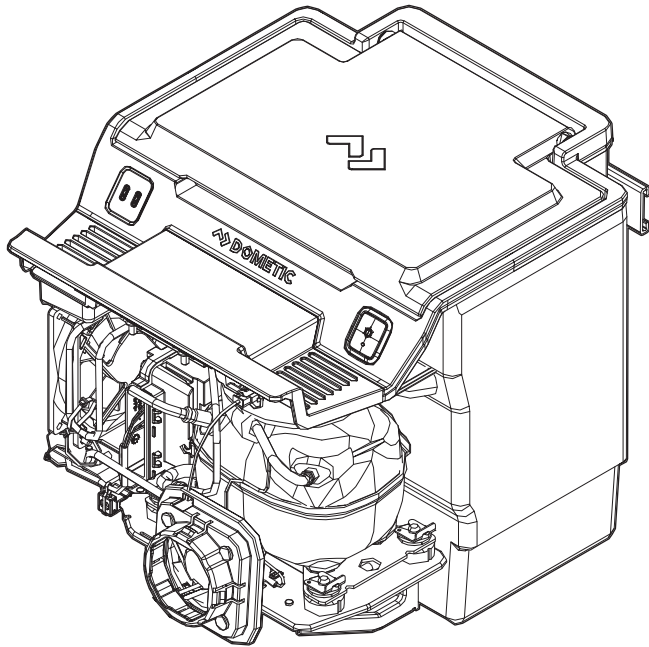


↔ DOMETIC REFRIGERATION

CENTER CONSOLE REFRIGERATOR



P702

EN	CCF-T Refrigerator Installation and Operating manual.....	3
FR	CCF-T Refrigerator Instructions de montage et de service.....	12
ES	CCF-T Refrigerator Instrucciones de montaje y de uso.....	21

Copyright

© 2023 Dometic Group. The visual appearance of the contents of this manual is protected by copyright and design law. The underlying technical design and the products contained herein may be protected by design, patent or be patent pending. The trademarks mentioned in this manual belong to Dometic Sweden AB. All rights are reserved.

English

1	Important notes.....	3
2	Explanation of symbols and safety instructions.....	3
3	Intended use.....	3
4	General information.....	4
5	Specifications.....	5
6	Wiring diagram.....	5
7	Preinstallation.....	5
8	Installation.....	7
9	Operation.....	9
10	Maintenance.....	10
11	Troubleshooting.....	10
12	Warranty Information.....	10
13	Disposal.....	11

1 Important notes

Please read these instructions carefully and follow all instructions, guidelines, and warnings included in this product manual in order to ensure that you install, use, and maintain the product properly at all times. These instructions **MUST** stay with this product.

By using the product, you hereby confirm that you have read all instructions, guidelines, and warnings carefully and that you understand and agree to abide by the terms and conditions as set forth herein. You agree to use this product only for the intended purpose and application and in accordance with the instructions, guidelines, and warnings as set forth in this product manual as well as in accordance with all applicable laws and regulations. A failure to read and follow the instructions and warnings set forth herein may result in an injury to yourself and others, damage to your product or damage to other property in the vicinity. This product manual, including the instructions, guidelines, and warnings, and related documentation, may be subject to changes and updates. For up-to-date product information, please visit documents.dometic.com.

2 Explanation of symbols and safety instructions

This manual has safety information and instructions to help you eliminate or reduce the risk of accidents and injuries.

2.1 Recognize safety information



WARNING! This is a safety alert symbol.

It is used to alert you to potential physical injury hazards. Obey all safety messages that follow this symbol to avoid possible injury or death.

2.2 Understand signal words

A signal word will identify safety messages and property damage messages, and also will indicate the degree or level of hazard seriousness.



WARNING!

Indicates a hazardous situation that, if **not** avoided, will result in death or serious injury.



CAUTION!

Indicates a hazardous situation that, if **not** avoided, could result in minor or moderate injury.



NOTICE!

Used to address practices **not** related to physical injury.



Note Supplementary information for operating the product.

2.3 Supplemental directives

To reduce the risk of accidents and injuries, please observe the following directives before proceeding to install and operate this appliance:

- Read and follow all safety information and instructions.
- Read and understand these instructions before installing this product.
- The installation must comply with all applicable local or national codes.

2.4 General safety messages



WARNING! ELECTRICAL SHOCK, FIRE, AND/OR EXPLOSION HAZARD

- Use only Dometic replacement parts and components that are specifically approved for use with the appliance.
- Avoid improper installation, adjustment, alterations, service, or maintenance of the appliance. Service and maintenance **must** be done by a qualified service person only.
- Do **not** modify this product in any way. Modification can be extremely hazardous.
- Do **not** immerse this product in water.
- Do **not** use this product for any purpose other than as a mobile cooling device.
- Use care when diagnosing and/or adjusting the components on a powered unit.
- Turn off the vehicle's engine during installation.
- Dispose of properly in accordance with the applicable federal or local regulations.
- Do **not** drill or puncture the refrigerator assembly or refrigerant tubing. Follow handling instructions carefully.



WARNING! CARBON MONOXIDE AND/OR VEHICLE SAFETY HAZARD

- Park the vehicle in a well-ventilated area during the installation process.
- Ensure the vehicle is in Park with the handbrake engaged at all times during the installation process.
- Follow all vehicle manufacturer safety procedures.



CAUTION! PINCH AND/OR IMPACT HAZARD

Avoid touching the compressor or front fan blades during installation.



NOTICE!

- Do **not** use a power strip or two-way splitter.
- Do **not** use power cord adapters other than those provided by the manufacturer.
- Do **not** fill this product with ice cubes or water. If frost or condensation accumulates inside this product, wipe dry with a soft sponge or microfiber cloth.

3 Intended use

The center console refrigerator (or "refrigerator") provides vehicle passengers with easy access to refrigerated items from within the comfort of the vehicle cabin. The refrigerator is designed to fit within the existing console footprint and to provide an automatically controlled cooling environment for packaged items. This refrigerator is only suitable for the intended purpose and application in accordance with these instructions.

This manual provides information that is necessary for proper installation and operation of the refrigerator. Poor installation and/or improper operating or maintenance will result in unsatisfactory performance and a possible failure. The manufacturer accepts no liability for any injury or damage to the product resulting from:

- Incorrect assembly or connection, including excess voltage
- Incorrect maintenance or use of spare parts other than original spare parts provided by the manufacturer

- Alterations to the product without express permission from the manufacturer
- Use for purposes other than those described in this manual

Dometic reserves the right to change product appearance and product specifications.

4 General information

This section provides information on the included parts, installation tools and materials, component locations, of the refrigerator.

Note The images used in this document are for reference purposes only. Components and component locations may vary according to specific product models. Measurements may vary ± 0.4 in (10.0 mm).

4.1 Tools and materials

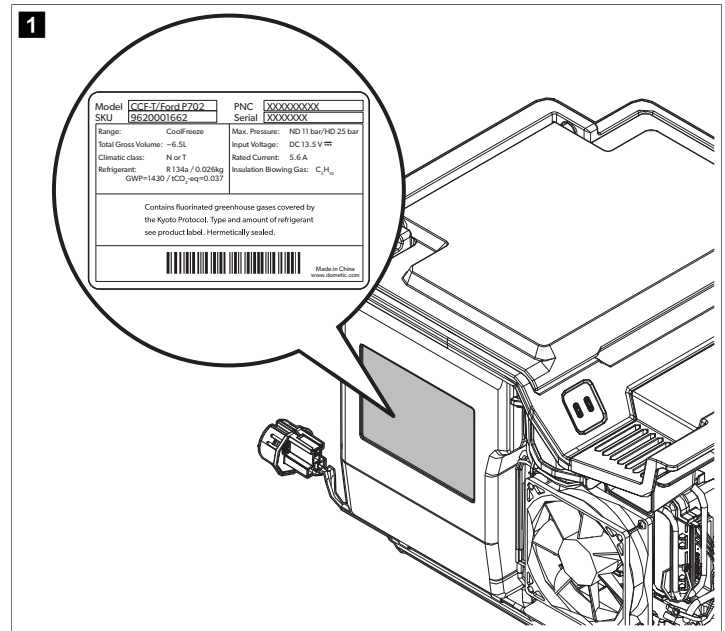
Dometic recommends that the following tools and materials be used while installing the appliance.

Included parts	Quantity
Refrigerator	1
Rubber mat	1
Front fan	1
Front fan template	1
Front fan hole cap	1
Power connector template	1
Rubber protective piece	2
Top cover trim	1

Recommended tools	
Drill	Panel removal tool
2.5 in (63.5 mm) hole saw drill bit	#2 Phillips screwdriver
1-1/8 in (29 mm) hole saw drill bit	Removable tape
7 mm socket wrench	T20 Torx screwdriver
Marker	Vacuum or shop vac
Multimeter	

4.2 Data plate

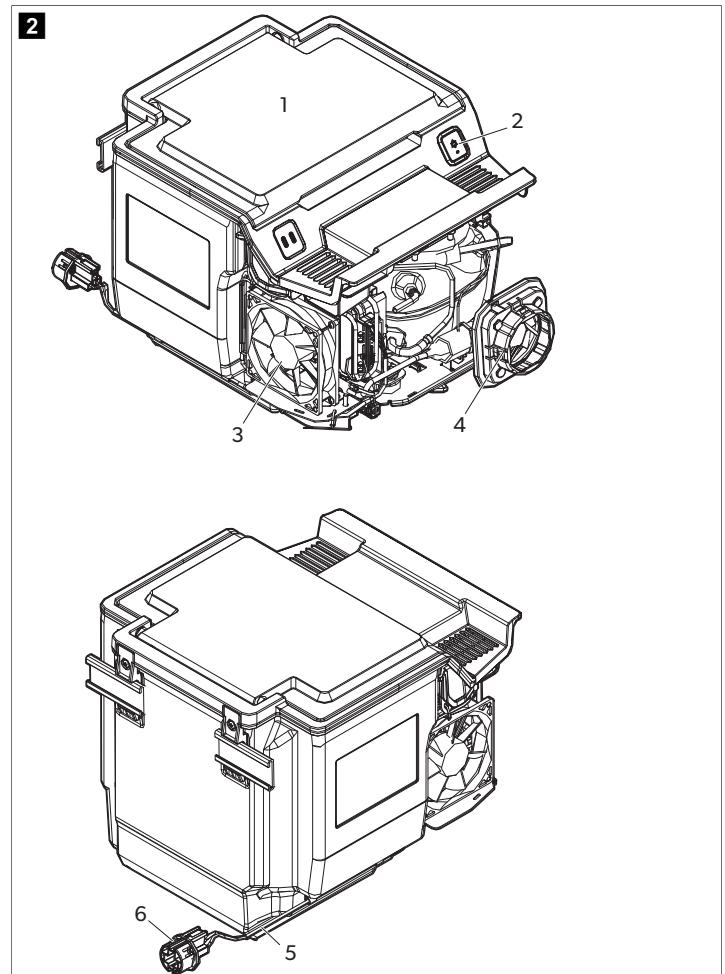
This section provides the location of the refrigerator data plate. Have this information readily available if you have to call the Dometic customer support center.



1 - Data plate location

4.3 Component locations

This section identifies the refrigerator's main components.

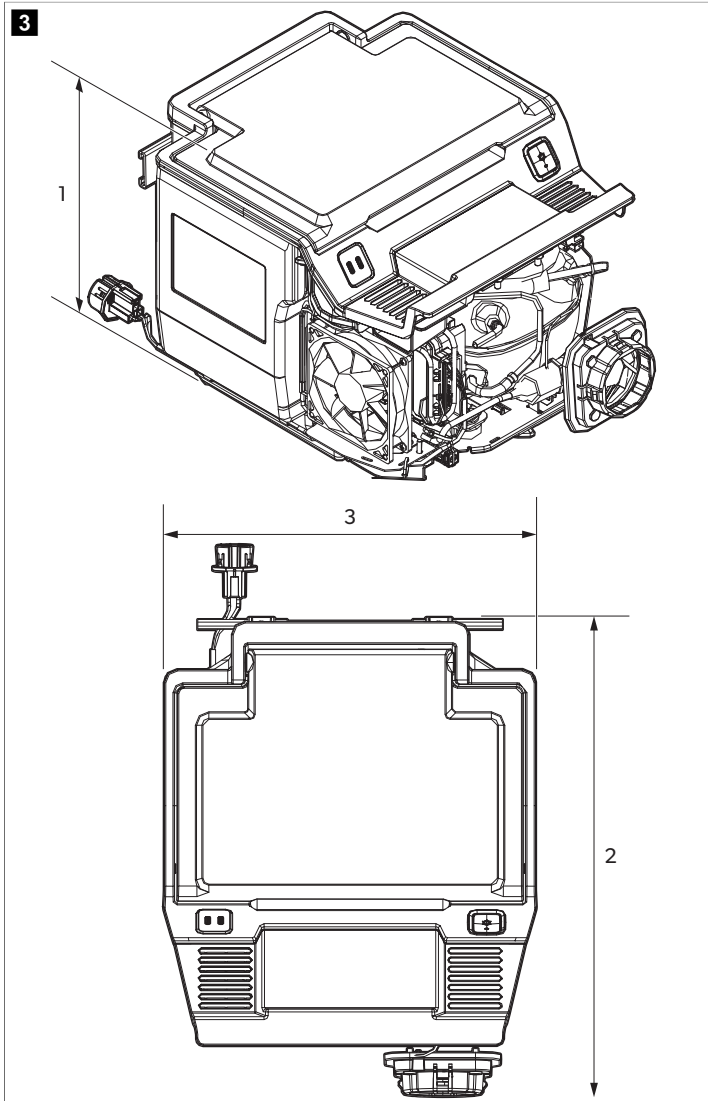


2 - Component locations

- 1. Refrigerator unit
- 2. ON/OFF button w/LED
- 3. Condenser fan
- 4. Front fan
- 5. 12 V power cable
- 6. 12 V power plug

4.4 External dimensions

This section identifies the refrigerator’s external dimensions.



3 - External dimensions

- 1. Height: 11.1 in (282.4 mm)
- 2. Depth: 12.8 in (325.6 mm)
- 3. Width: 10.7 in (273.0 mm)

5 Specifications

Weight	12.1 lb (5.48 kg)
Voltage input	12-16 V DC
Low voltage protection	12.0 V DC

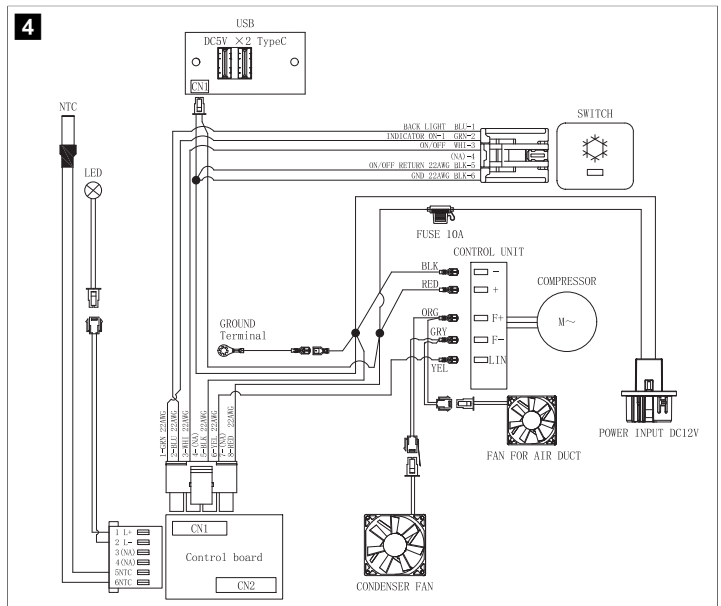
Energy consumption at startup	5.6 A
Energy consumption during operation at 90.0 °F (32.2 °C) ambient	4.2 A
Internal volume	1.72 gal (6.5 L)
Beverage storage capacity	<ul style="list-style-type: none"> • Six 16.907 fl oz (500.00 mL) bottles • Nine 12.004 fl oz (355.00 mL) cans
Refrigerant and charge	R134a 0.9 oz (26.00 g)
Temperature setpoint	37.0 °F (2.8 °C)
Interior light	LED
Vehicle models	Ford F-150 (2021+) with flow through center console

6 Wiring diagram



WARNING! ELECTRIC SHOCK HAZARD

Turn the power off before performing any electrical installation or maintenance activities.



4 - Wiring diagram

7 Preinstallation



WARNING! CARBON MONOXIDE AND/OR VEHICLE SAFETY HAZARD

- Park the vehicle in a well-ventilated area during the installation process.
- Turn off the vehicle’s engine.
- Ensure the vehicle is in Park with the handbrake engaged at all times during the installation process.



NOTICE!

Avoid pinching, crushing, or breaking the wires or power cable. Otherwise damage to the refrigerator could occur.



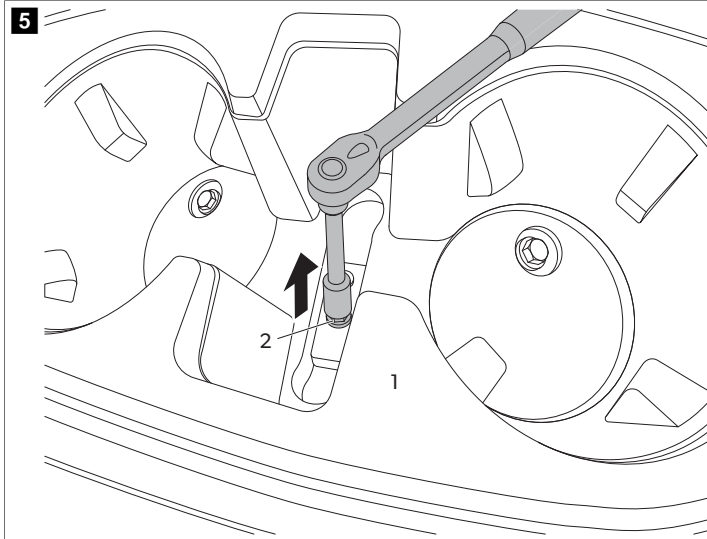
Note The console lid should remain open during the preinstallation and installation procedures.

This section describes the assessment and location preparations to install the refrigerator.

7.1 Assessing the installation location

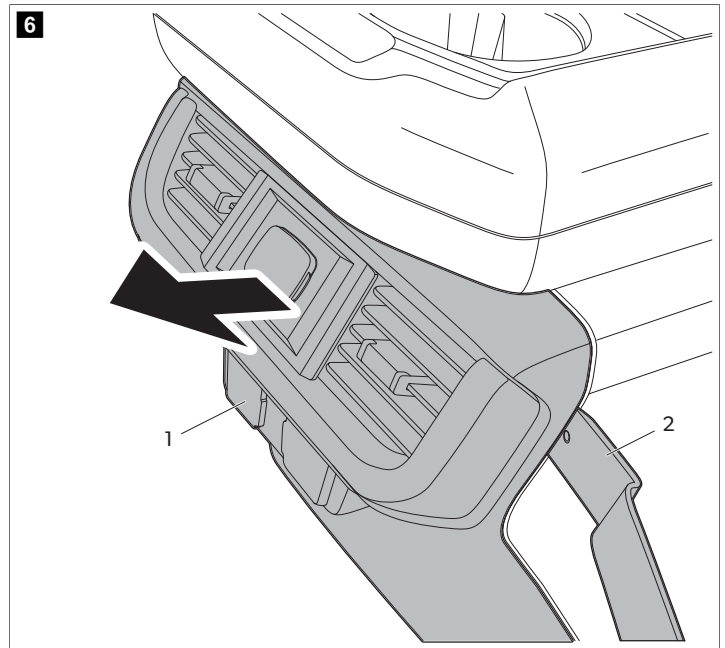
1. Confirm your vehicle is the correct model, model year, and trim level to accept the refrigerator. See Specifications on page 5 for more information. Only trim packages with an integrated center floor console are eligible.
2. Verify you have the correct parts and tools to perform the refrigerator installation. See Tools and materials on page 4 for more information.

7.2 Removing the console back panel



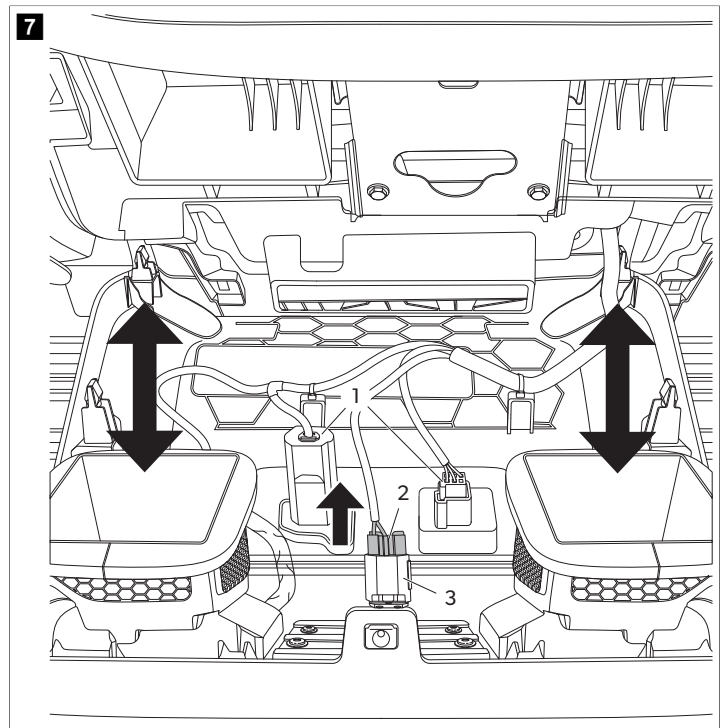
5 - Removing the cupholder screw

- 1. Cupholder
 - 2. Screw
1. Remove the rubber mat from the bottom of the cupholder.
 2. Use a 7 mm socket wrench to remove the screw.



6 - Removing the console back panel

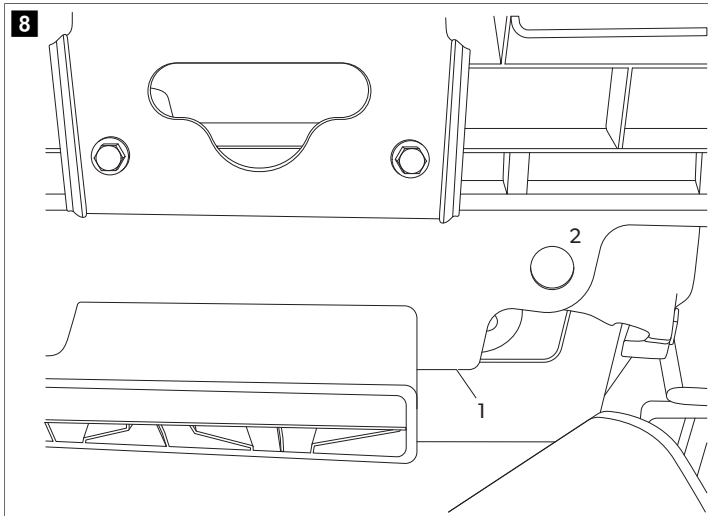
- 1. Console back panel
 - 2. Panel removal tool
3. Use a panel removal tool or a thin flat object to pry off the console back panel, taking care not to strain the internal electrical connections.



7 - Removing the electrical connection

- 1. Electrical connections
 - 2. Gray power connector
 - 3. 12V socket
4. Unplug the gray power connector from 12 V socket.

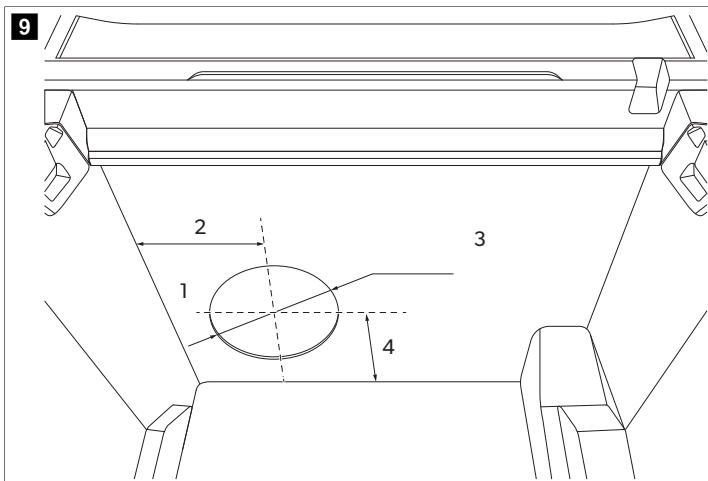
7.3 Preparing the power connector location



8 - Drilling the power connector opening

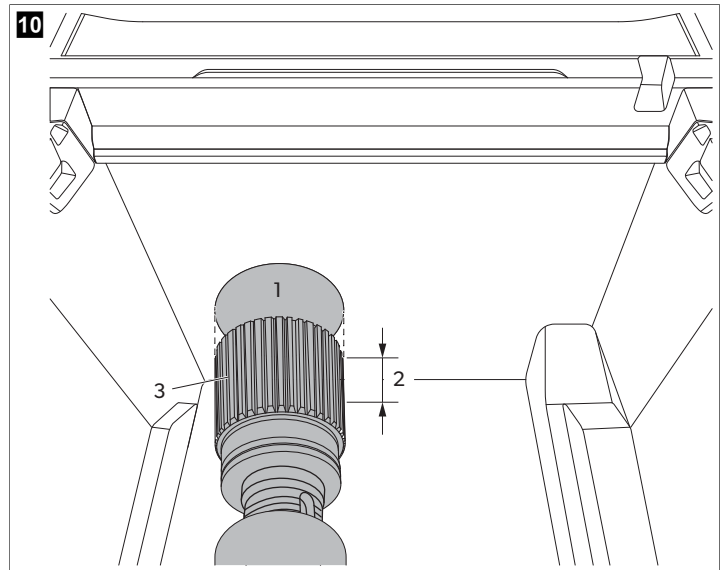
- | | |
|----------------------|----------------------------|
| 1. Console back wall | 2. Power connector opening |
|----------------------|----------------------------|
- On the rear passenger side of the console, identify the hole location for the 12 V power connector.
 - Using a marker, trace the opening on the power connector template onto the wall.
 - Use the 1 1/8 in (29 mm) hole saw drill bit to drill an opening for the 12 V power connector
 - Vacuum any debris from the console and console bin area.
 - Place the refrigerator near the console bin.
 - Insert the end of the refrigerator's 12 V power plug into the 1 1/8 in (29 mm) hole until it snaps into place.

7.4 Preparing the front fan opening



9 - Using the front fan template

- | | |
|-----------------------|---------------------------|
| 1. Front fan template | 3. Console bin front wall |
| 2. 2.2 in (54.0 mm) | 4. 3.9 in (100.0 mm) |
- Remove the rubber pad from the bottom of the console bin.
 - Tape the front fan template to the inside, front wall of the console bin.
 - Using a marker, trace the center point opening from the template onto the console bin wall.



10 - Drilling the front fan opening

- 2.5 in (63.5 mm) hole
 - 2.5 in (63.5 mm) hole saw drill bit
 - 3/8 in (10 mm) maximum drilling depth
 - Remove the front fan template.
 - Use a 2.5 in (63.5 mm) hole saw drill bit to drill an opening for the front fan taking care not to push the drill bit into the space under the console.
- Note** It may be helpful to wrap two bands of tape around the outside of the hole saw drill bit to prevent it from going too far into the console.
- Vacuum any debris from the console and console bin area.

7.5 Testing the refrigerator

- Plug the gray power connector into the refrigerator power connector.
- Note** On models with rear heated seats, the fabric wrap around the wiring may need to be pulled back to give enough slack for the gray power connector to reach the refrigerator power connector.
- Start the vehicle engine.
 - Confirm the blue LED is illuminated on the refrigerator unit's ON/OFF button. If not, press the button.
 - Listen for the condenser fan to start. See Troubleshooting on page 10 if the condenser fan does not start.
 - Press the ON/OFF button to turn the refrigerator unit OFF.
 - Turn the vehicle engine off.
 - Unplug the 12 V power cable.
 - Set the refrigerator unit away from the console.

8 Installation



WARNING! FIRE HAZARD

Keep ventilation openings, in the appliance enclosure or in the built-in structure, clear of obstruction.

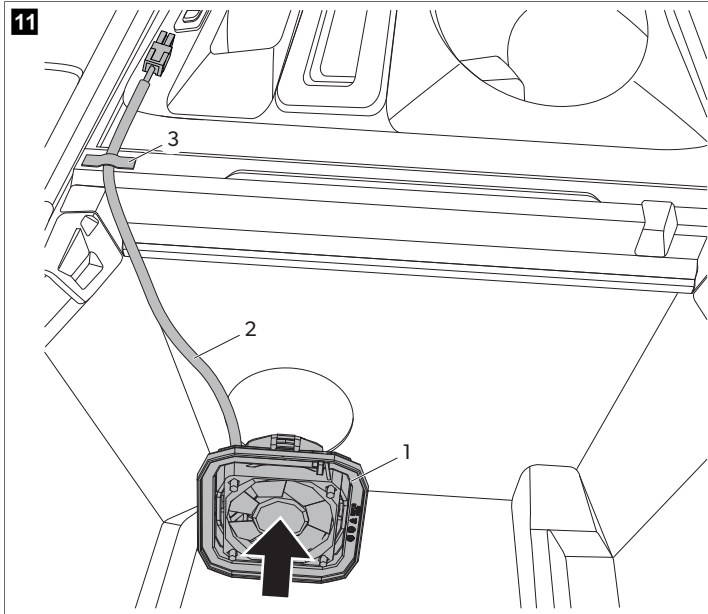


NOTICE!

- Do **not** leave the refrigerator unit in an inverted position or run the compressor soon after having the refrigerator in an inverted position. Otherwise damage to the compressor could occur.
- Avoid pinching, crushing, or breaking the wires or power cable. Otherwise damage to the refrigerator unit could occur.

This section describes how to install the refrigerator unit and to reinstall the console back panel and cupholders.

8.1 Installing the front fan

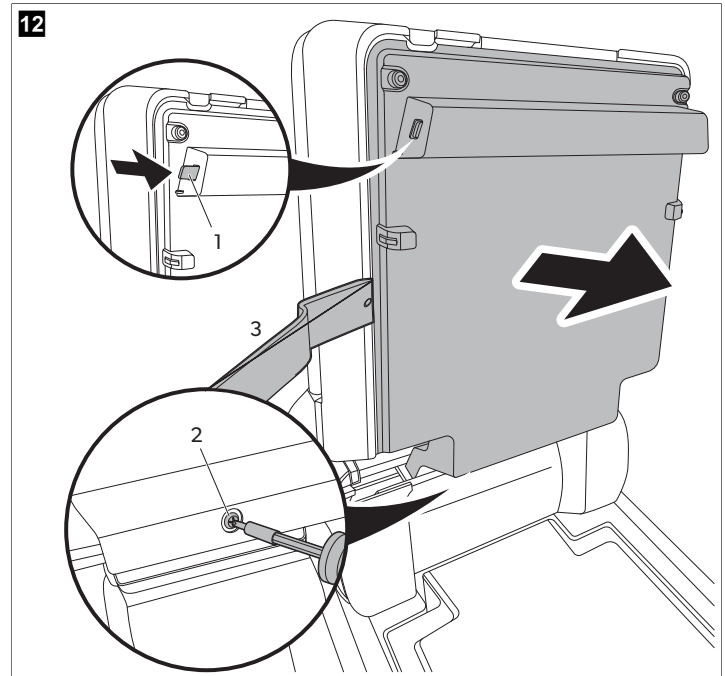


11 - Installing the front fan

- 1. Fan
- 2. Wiring
- 3. Tape

1. Insert the fan into the opening with the wiring leading upwards.
2. Tape the wiring to the top of the console so it will be out of the way when installing the refrigerator.

8.2 Removing the console lid bottom cover

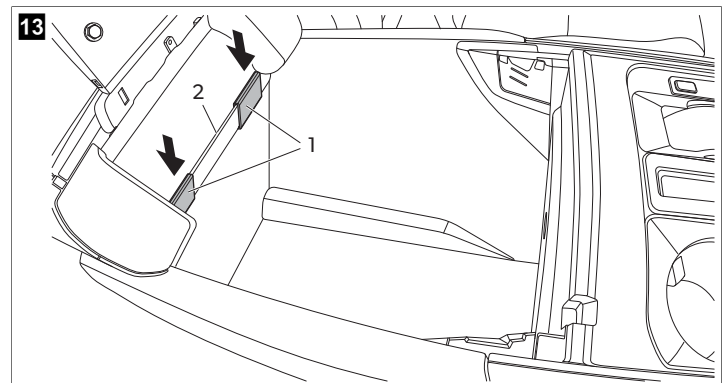


12 - Removing the console lid bottom cover

- 1. Locking tabs
- 2. Screw
- 3. Panel removal tool

1. Use a T20 Torx screwdriver to remove the single screw at the bottom of the console lid bottom cover.
2. Use a panel removal tool to pry up the bottom of the cover until the clips disengage.
3. Depress the console lid button to disengage the locking tabs from the console lid bottom cover.
4. Continue prying the console lid bottom cover up until it is completely detached.
5. Set the console lid bottom cover aside.

8.3 Installing the refrigerator

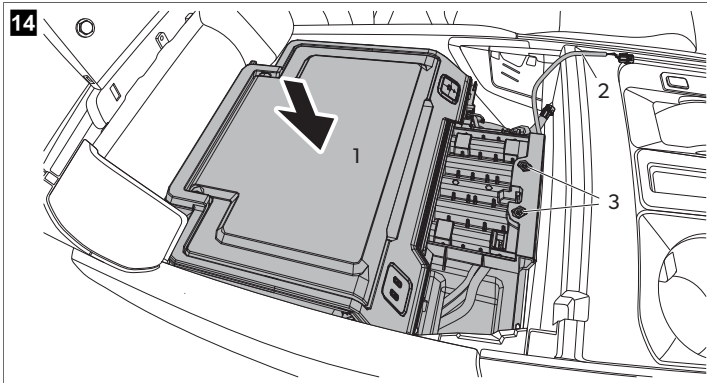


13 - Installing the rubber protective pieces

- 1. Rubber protective piece
- 2. Back rail

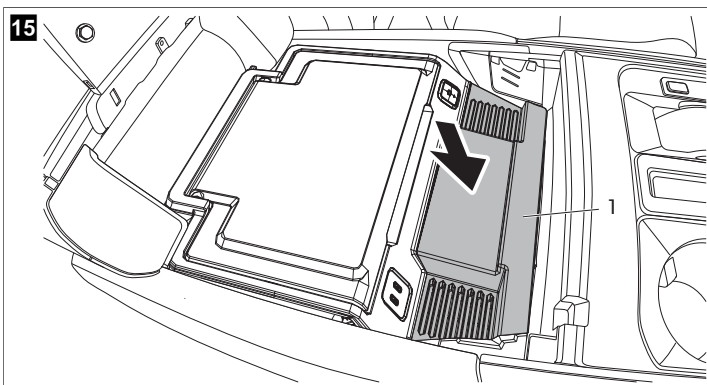
1. Snap the two rubber protective pieces on the back rail of the console bin.
2. Replace the rubber mat in the bottom of the console bin.
3. Plug the 12 V power plug into the 12 V power connector.

4. Taking care to not damage the cooling system components, lower the refrigerator into the console bin.



14 - Installing the refrigerator

1. Refrigerator
2. Fan power connector
3. Screws
5. Use a #2 Phillips screwdriver to hand tighten the screws until the refrigerator sits snugly against the console front rail.
6. Connect the fan power connector to the refrigerator power connector and secure it out of the way with a cable tie.



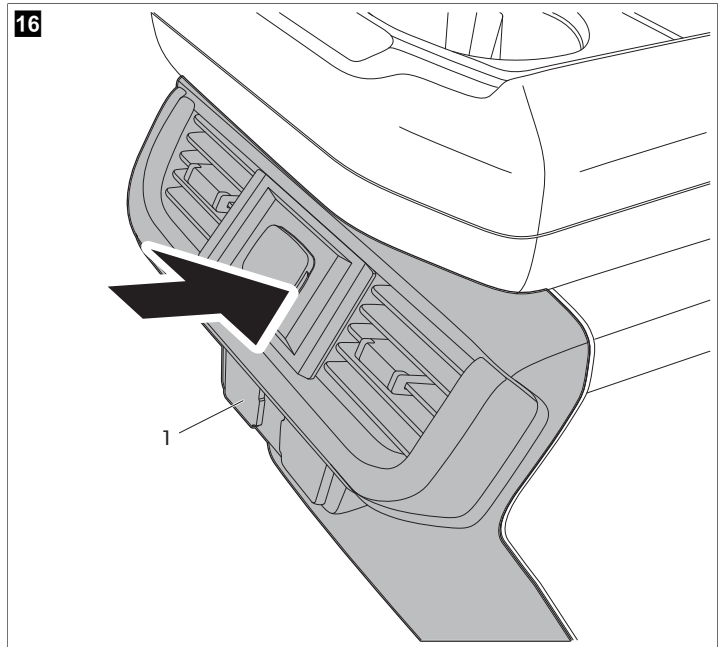
15 - Inserting the closeout tray

1. Closeout tray
7. Position the closeout tray in front of the refrigerator and press down until it clicks into place.

8.4 Replacing the console lid bottom cover

1. Snap the console lid bottom cover on to the console lid.
2. Use a T20 Torx screwdriver to replace the single screw at the bottom of the console lid bottom cover.

8.5 Reinstalling the console back panel



16 - Reinstalling the console back panel

1. Console back panel
1. Plug the gray power connector into the 12 V power connector
 2. Aligning the retainer tabs with the retainer slots, push the console back panel into the console until it snaps into place.
 3. Use a 7 mm socket wrench to reinstall the screw in the bottom of the cupholder.
 4. Replace the cupholder rubber mat.

9 Operation



WARNING! FIRE AND/OR EXPLOSION HAZARD

- This refrigerator **must** be properly installed and located in accordance with these instructions before it is used.
- Do **not** store gasoline or other liquids with flammable vapors in this refrigerator.
- Do **not** store explosive substances, such as aerosol cans with a flammable propellant, in this refrigerator.
- Do **not** use electrical appliances inside the food storage compartments of the refrigerator.



NOTICE!

Avoid spilling liquid into the closeout tray's fan vents. Doing so could cause damage to the refrigerator's fan or electrical wiring.

This section provides instructions on the proper use of the refrigerator.

9.1 Turning the refrigerator on

Press the ON/OFF button. The button's blue LED indicator will illuminate when the refrigerator is ON.

The refrigerator will remain ON until it is manually turned OFF. If the refrigerator is ON and the vehicle engine is turned OFF:

- The refrigerator will continue to draw power from the battery until the voltage drops below 12.0 V. If this threshold is reached, the refrigerator will cycle OFF until the engine restarts.
- The refrigerator will return to an ON status when the engine restarts.

9.2 Turning the refrigerator off

Press the ON/OFF button. The button's blue LED indicator will not illuminate when the refrigerator is OFF.

The refrigerator will remain OFF until it is manually turned ON. If the refrigerator is OFF and the vehicle engine is turned OFF, the refrigerator unit will maintain the OFF status.

9.3 Adjusting the refrigerator

The cooling temperature is automatically maintained and is not adjustable.

9.4 Opening and closing the refrigerator

Open and close the refrigerator by lifting the console lid and then lifting the refrigerator lid.

Note Be sure the console lid does not interfere with the refrigerator's lid when opening or closing.

Note The refrigerator lid is designed to remain closed unless held open manually. When the refrigerator lid is open, an LED illuminates the interior.

9.5 Storing refrigerated goods

For optimal use of the refrigerator, observe the following instructions:

- Avoid placing materials 75 °F (24 °C) or warmer in the refrigerator. For optimal use, allow materials to cool to 50 °F (10 °C) or cooler before placing them inside the refrigerator.
- Never put hot liquids or food in the interior.
- Never put ice or uncontained liquids in the interior.
- The total amount of goods placed into the interior should not exceed its storage volume.
- To maintain constant temperature, minimize the amount of time the lid stays open.

10 Maintenance

WARNING! ELECTRICAL SHOCK, FIRE, AND/ OR EXPLOSION HAZARD

- Always turn the refrigerator OFF before cleaning or maintenance.
- Maintenance and repair must be done by a qualified service person only.
- Do not use mechanical devices to defrost the refrigerator.
- Do not puncture refrigerant tubing.
- To be repaired only by trained service personnel.

The maintenance and cleaning instructions provided in this section should be performed at the intervals indicated, or as needed, depending on the use of the appliance. Failure to properly maintain the appliance may void the warranty and could result in unsafe operation. Preventive maintenance is not covered under the warranty.

10.1 Cleaning the refrigerator

NOTICE! Do not use abrasive cleaning materials or harsh chemicals, or damage to the refrigerator could occur.

If the refrigerator becomes dirty, wipe clean with a damp, soft sponge or microfiber cloth.

If condensation or liquid accumulates in the interior, remove it with a soft sponge or microfiber cloth.

10.2 Maintaining the refrigerator when not in use

For optimal care of the refrigerator when not in use, observe the following instructions:

- Clean and dry the interior of the refrigerator to avoid lingering odor.
- Avoid storing refrigerated goods in the refrigerator when it is not turned ON.
- Avoid storing any sharp items or items not intended for refrigeration in the refrigerator.

11 Troubleshooting

Problem	Possible cause	Suggested remedy
The refrigerated goods are not cold.	The refrigerator is not turned ON.	Confirm the refrigerator is ON. See Turning the refrigerator on on page 9.
	The refrigerator is not receiving power.	<ol style="list-style-type: none"> 1. Locate and inspect the vehicle fuse. If the fuse is blown, replace it. 2. Locate and inspect the refrigerator fuse. If the fuse is blown, replace it.
	The fan is not operating.	<ol style="list-style-type: none"> 1. Locate and inspect the vehicle fuse. If the fuse is blown, replace it. 2. Locate and inspect the refrigerator fuse. If the fuse is blown, replace it.
There is condensation around the refrigerator unit lid.	The refrigerator lid is not closing properly.	Remove any obstructions from around the refrigerator lid and console lid to allow both lids to close completely.
	The lid gasket is damaged.	Inspect and replace the lid if the gasket is damaged.
	There is an electronic control unit (ECU) malfunction.	Contact a qualified service technician.
The fan is noisy.	There is an obstruction.	<ol style="list-style-type: none"> 1. Confirm the refrigerator is OFF. 2. Remove the refrigerator, inspect the fan, and remove all obstructions. 3. If the problem is not resolved, contact a qualified service technician.
There is an odor coming from the refrigerator interior.	Residue has built up inside the refrigerator.	Clean the interior of the refrigerator. See Cleaning the refrigerator on page 10.

12 Warranty Information

Refer to the sections below for information about warranty and warranty support in the US, Canada, and all other regions.

12.1 United States and Canada

LIMITED WARRANTY AVAILABLE AT DOMETIC.COM/EN-US/TERMS-AND-CONDITIONS-CONSUMER/WARRANTY.

IF YOU HAVE QUESTIONS, OR TO OBTAIN A COPY OF THE LIMITED WARRANTY FREE OF CHARGE, CONTACT:

DOMETIC CORPORATION
CUSTOMER SUPPORT CENTER

5155 VERDANT DRIVE
ELKHART, INDIANA 46516
1-800-544-4881

12.2 All other regions

The statutory warranty period applies. If the product is defective, please contact the manufacturer's branch in your region or your retailer (see the back of this instruction manual for the web addresses to locate your region or retailer).

For repair and warranty processing, please include the following documents when you send in the device:

- A copy of the receipt with purchasing date
- A reason for the claim or description of the fault

13 Disposal



Place the packaging material in the appropriate recycling waste bins, wherever possible. Consult a local recycling center or specialist dealer for details about how to dispose of the product in accordance with applicable national and local disposal regulations.



Remarque Informations complémentaires sur l'utilisation de ce produit.

French

1	Remarques importantes.....	12
2	Description des symboles et consignes de sécurité.....	12
3	Usage conforme.....	12
4	Remarques générales.....	13
5	Spécifications.....	14
6	Schéma de raccordement.....	14
7	Pré-installation.....	14
8	Installation.....	16
9	Utilisation.....	18
10	Maintenance.....	19
11	Dépannage.....	19
12	Informations sur la garantie.....	20
13	Mise au rebut.....	20

1 Remarques importantes

Veillez lire et suivre attentivement l'ensemble des instructions, directives et avertissements figurant dans ce manuel afin d'installer, d'utiliser et d'entretenir le produit correctement à tout moment. Ces instructions DOIVENT rester avec le produit.

En utilisant ce produit, vous confirmez expressément avoir lu attentivement l'ensemble des instructions, directives et avertissements et que vous comprenez et acceptez de respecter les modalités et conditions énoncées dans le présent document. Vous acceptez d'utiliser ce produit uniquement pour l'usage et l'application prévus et conformément aux instructions, directives et avertissements figurant dans le présent manuel, ainsi qu'à toutes les lois et réglementations applicables. En cas de non-respect des instructions et avertissements figurant dans ce manuel, vous risquez de vous blesser ou de blesser d'autres personnes, d'endommager votre produit ou d'endommager d'autres biens à proximité. Le présent manuel produit, y compris les instructions, directives et avertissements, ainsi que la documentation associée peuvent faire l'objet de modifications et de mises à jour. Pour obtenir des informations actualisées sur le produit, consulter le site documents.dometic.com.

2 Description des symboles et consignes de sécurité

Ce manuel contient des consignes et des instructions de sécurité pour vous aider à éliminer ou à réduire les risques d'accident et de blessure.

2.1 Reconnaître les consignes de sécurité



AVERTISSEMENT ! Il s'agit d'un symbole d'alerte de sécurité.

Il est utilisé pour vous alerter des risques de blessures physiques. Respectez les instructions de sécurité qui suivent ce symbole pour éviter tout risque de blessure grave ou mortelle.

2.2 Comprendre les mots de signalement

Un mot de signalement identifie les messages relatifs à la sécurité et aux dégâts matériels en indiquant le degré ou le niveau de gravité du danger.



AVERTISSEMENT !

Indique une situation dangereuse qui, si elle n'est **pas** évitée, entraînera des blessures graves, voire mortelles.



ATTENTION !

Indique une situation dangereuse qui, si elle n'est **pas** évitée, est susceptible d'entraîner des blessures légères ou de gravité modérée.



AVIS !

Identifie les pratiques n'impliquant **pas** de risque de blessures physiques.

2.3 Directives supplémentaires

Pour réduire le risque d'accidents et de blessures, prenez connaissance des consignes suivantes avant d'installer ou d'utiliser cet appareil :

- Lisez et respectez toutes les consignes et instructions de sécurité.
- Lisez attentivement ces instructions avant d'installer ce produit.
- L'installation doit être conforme à toutes les réglementations locales ou nationales en vigueur.

2.4 Messages de sécurité généraux



AVERTISSEMENT ! RISQUE DE CHOC ÉLECTRIQUE, D'INCENDIE ET/OU D'EXPLOSION

- Utilisez uniquement des pièces de rechange et des composants Dometic spécialement approuvés pour une utilisation avec l'appareil.
- Évitez toute opération d'installation, de réglage, de modification, d'entretien ou de maintenance incorrecte sur l'appareil. Les réparations et la maintenance **doivent** uniquement être réalisées par un technicien qualifié.
- Ne modifiez **pas** ce produit d'une quelconque manière. Toute modification peut présenter de graves dangers.
- Ne plongez **pas** ce produit dans l'eau.
- N'utilisez **pas** ce réfrigérateur mobile à toute autre fin que celle à laquelle il est destiné.
- Procédez avec précaution lors du diagnostic et de l'ajustement des composants d'un appareil électrique.
- Coupez le moteur du véhicule durant l'installation.
- Mettez le produit au rebut conformément aux réglementations locales ou nationales en vigueur.
- Ne percez ou ne perforez **pas** le bâti du réfrigérateur ou le circuit de fluide frigorigène. Suivez attentivement les directives relatives à la manipulation du produit.



AVERTISSEMENT ! RISQUE D'ÉMANATION DE MONOXYDE DE CARBONE ET/OU POUR LA SÉCURITÉ DU VÉHICULE

- Stationnez le véhicule à un endroit bien ventilé pour procéder à l'installation.
- Assurez-vous que le véhicule est en position de stationnement et que le frein à main est serré en permanence pendant le processus d'installation.
- Respectez toutes les procédures de sécurité du constructeur automobile.



ATTENTION ! RISQUE DE PINCEMENT ET/OU D'IMPACT

Évitez de toucher le compresseur ou les pales du ventilateur avant pendant l'installation.



AVIS !

- N'utilisez **pas** de multiprise ou de séparateur bidirectionnel.
- N'utilisez **pas** d'adaptateurs d'alimentation autres que ceux fournis par le fabricant.
- Ne remplissez **pas** ce produit avec des glaçons ou de l'eau. Si du gel ou de la condensation s'accumulent à l'intérieur de l'appareil, essuyez-le avec une éponge non abrasive ou un chiffon en microfibre.

3 Usage conforme

Le réfrigérateur de console centrale (ou « réfrigérateur ») permet aux passagers du véhicule d'accéder facilement à des produits réfrigérés dans le confort de l'habitacle. Le

réfrigérateur est conçu pour s'adapter à l'encombrement de la console existante et pour fournir un environnement de refroidissement contrôlé automatiquement pour des produits emballés. Le réfrigérateur convient uniquement à l'usage et à l'application prévus, conformément au présent manuel d'instructions.

Ce manuel fournit les informations nécessaires à l'installation et à l'utilisation correctes du réfrigérateur. Une installation, une utilisation ou un entretien inappropriés entraînera des performances insatisfaisantes et une éventuelle défaillance. Le fabricant décline toute responsabilité en cas de blessure ou de dommage résultant :

- d'un montage ou d'un raccordement incorrect, y compris d'une surtension
- d'un entretien inadapté ou de l'utilisation de pièces de rechange autres que les pièces de rechange d'origine fournies par le fabricant
- de modifications apportées au produit sans autorisation explicite du fabricant
- d'usages différents de ceux décrits dans ce manuel.

Dometic se réserve le droit de modifier l'apparence et les spécifications produit.

4 Remarques générales

Cette section fournit des informations sur les pièces incluses, les outils et matériaux nécessaires à l'installation, ainsi que l'emplacement des composants du réfrigérateur.



Remarque Les images utilisées dans ce document sont fournies à titre de référence uniquement. Les composants et leurs emplacements peuvent varier selon les modèles de produit. Les mesures peuvent varier de $\pm 0,4$ in (10,0 mm).

4.1 Outils et matériaux

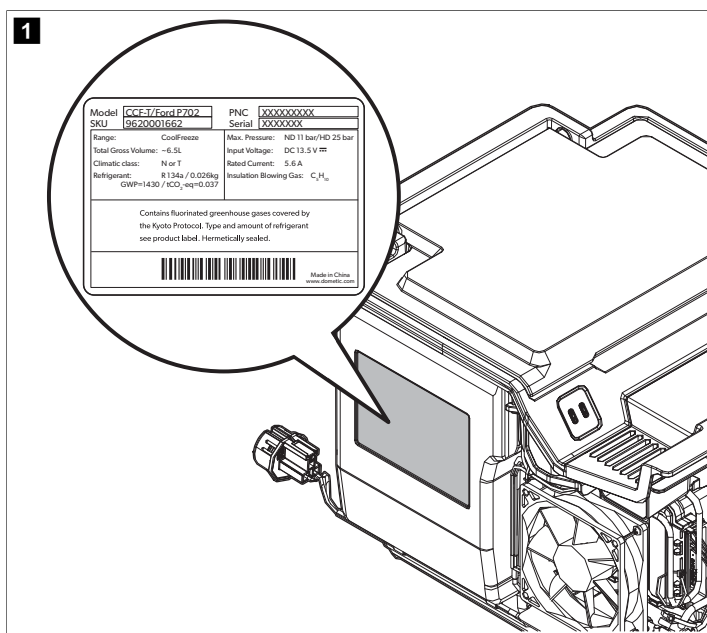
Dometic recommande d'utiliser les outils et matériaux suivants lors de l'installation de l'appareil.

Pièces incluses	Quantité
Réfrigérateur	1
Tapis en caoutchouc	1
Ventilateur avant	1
Gabarit du ventilateur avant	1
Bouchon de l'orifice du ventilateur avant	1
Gabarit du connecteur d'alimentation	1
Tampon de protection en caoutchouc	2
Garniture du capot supérieur	1

Outils recommandés	
Perceuse	Outil de dépose du panneau
Scie-cloche de 2,5 in (63,5 mm)	Tournevis cruciforme n° 2
Scie-cloche de 1-1/8 po. (29 mm)	Ruban adhésif amovible
Clé à douille de 7 mm	Tournevis Torx T20
Marqueur	Aspirateur ménager ou industriel
Multimètre	

4.2 Plaque signalétique

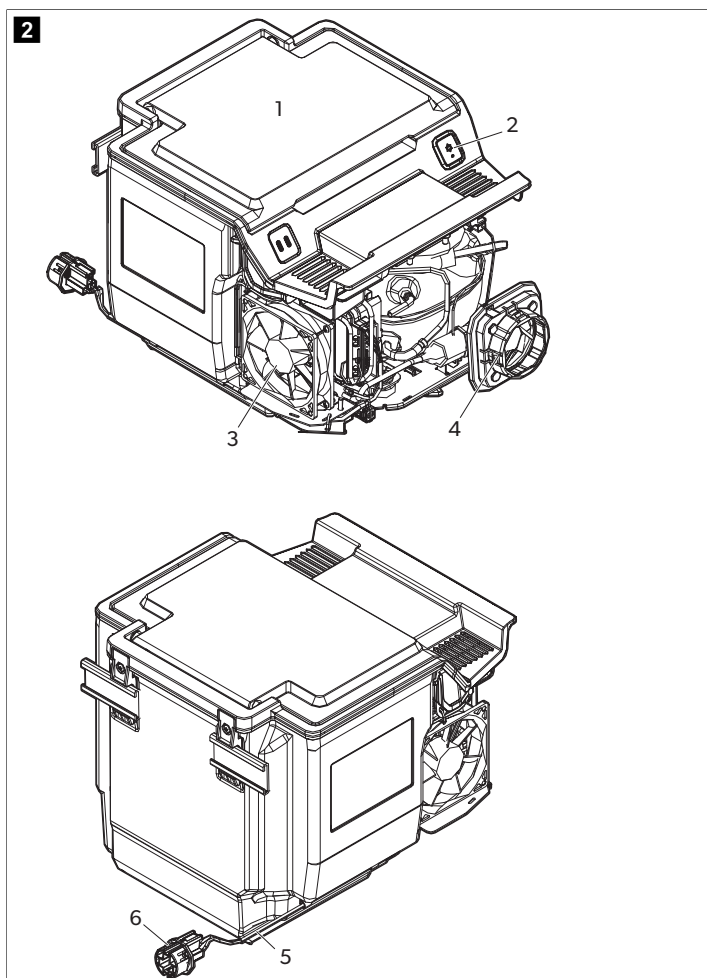
Cette section indique l'emplacement de la plaque signalétique du réfrigérateur. Munissez-vous de ces informations si vous devez appeler le centre d'assistance clientèle Dometic.



1- Emplacement de la plaque signalétique

4.3 Emplacement des composants

Cette section identifie les principaux composants du réfrigérateur.

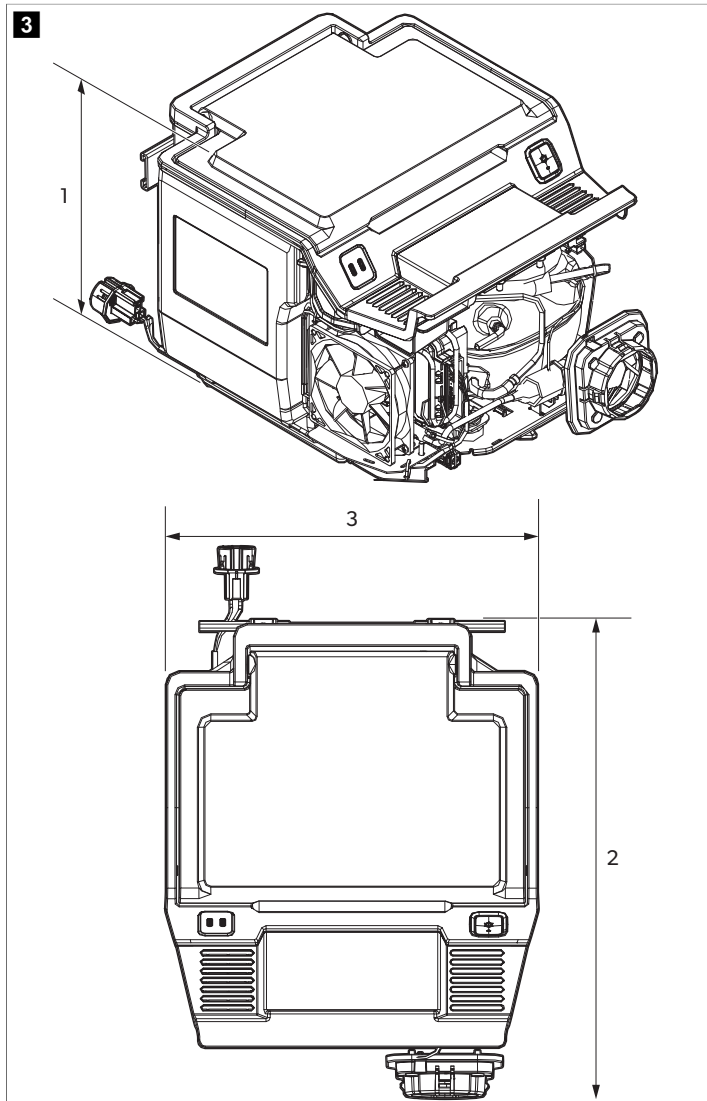


2 - Emplacement des composants

1. Réfrigérateur
2. Bouton Marche/Arrêt avec voyant LED
3. Ventilateur de condensateur
4. Ventilateur avant
5. Câble de raccordement 12 V
6. Fiche d'alimentation 12 V

4.4 Dimensions extérieures

Cette section référence les dimensions extérieures du réfrigérateur.



3 - Dimensions extérieures

1. Hauteur : 11,1 in (282,4 mm)
2. Profondeur : 12,8 in (325,6 mm)
3. Largeur : 10,7 in (273,0 mm)

5 Spécifications

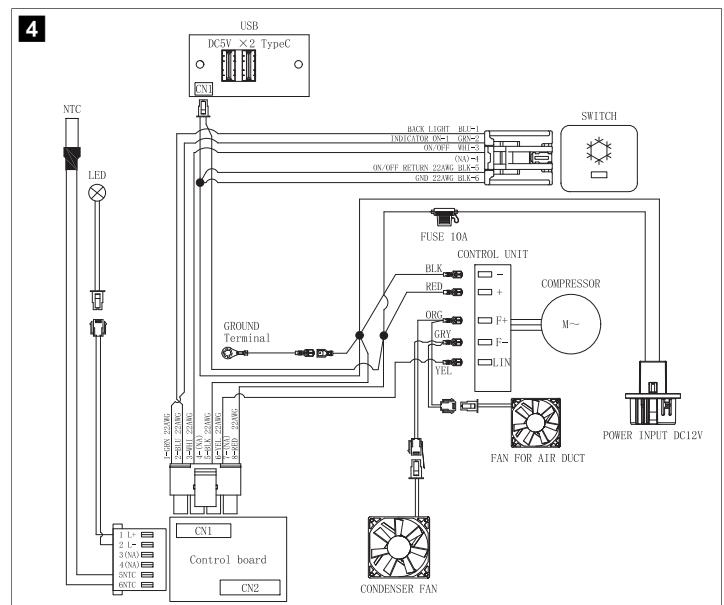
Poids	12,1 lb (5,48 kg)
Tension d'entrée	12-16 V DC
Protection contre la sous-tension	12,0 V DC

Consommation d'énergie au démarrage	5,6 A
Consommation d'énergie en fonctionnement à une température ambiante de 90,0 °F (32,2 °C)	4,2 A
Volume intérieur	1,72 gal (6,5 L)
Capacité de stockage de boissons	<ul style="list-style-type: none"> • Six bouteilles de 16,907 fl oz (500,00 mL) • Neuf canettes de 12,004 fl oz (355,00 mL)
Fluide frigorigène et charge	R134a 0,9 oz (26,00 g)
Température de consigne	37,0 °F (2,8 °C)
Éclairage intérieur	LED
Modèles de véhicules	Ford F-150 (2021+) avec console centrale Flow-through

6 Schéma de raccordement

**AVERTISSEMENT ! RISQUE DE CHOC ÉLECTRIQUE**

Coupez le courant avant toute opération de raccordement électrique ou de maintenance.



4 - Schéma de câblage

7 Pré-installation

**AVERTISSEMENT ! RISQUE D'ÉMANATION DE MONOXYDE DE CARBONE ET/OU POUR LA SÉCURITÉ DU VÉHICULE**

- Stationnez le véhicule à un endroit bien ventilé pour procéder à l'installation.
- Coupez le moteur du véhicule.
- Assurez-vous que le véhicule est en position de stationnement et que le frein à main est serré en permanence pendant le processus d'installation.

**AVIS !**

Évitez de plier, d'écraser ou de casser les fils ou le cordon d'alimentation. Dans le cas contraire, le réfrigérateur risque d'être endommagé.

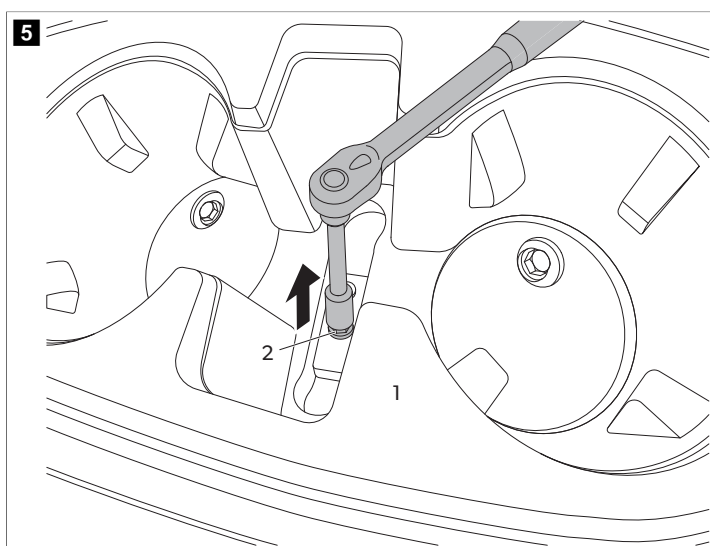
i Remarque Le couvercle de la console doit rester ouvert pendant les phases de préparation et d'installation.

Cette section décrit les étapes d'examen et de positionnement préalables à l'installation du réfrigérateur.

7.1 Examen de l'emplacement d'installation

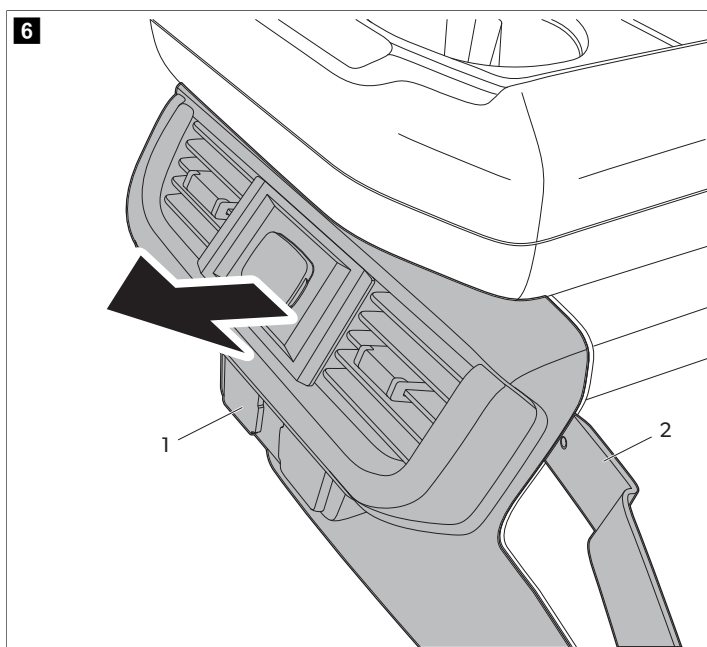
1. Vérifiez que votre véhicule est compatible avec le réfrigérateur (modèle, année, modèle et niveau de finition appropriés). Reportez-vous à la section Spécifications à la page 14 pour plus d'informations. Seuls les modèles dotés d'une console centrale intégrée au plancher sont compatibles.
2. Vérifiez que vous disposez des pièces et des outils appropriés pour installer le réfrigérateur. Reportez-vous à la section Outils et matériaux à la page 13 pour plus d'informations.

7.2 Retrait du panneau arrière de la console



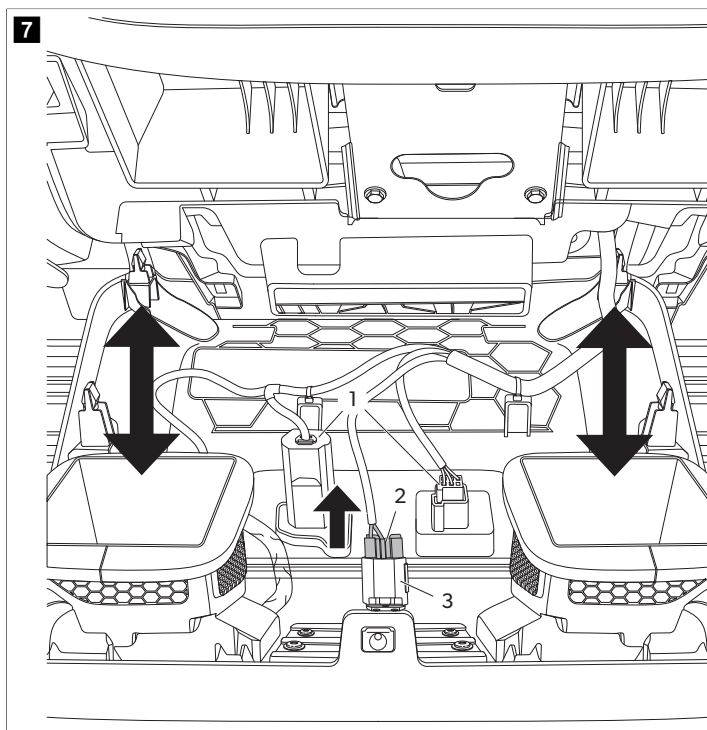
5 - Retrait de la vis du porte-gobelet

1. Porte-gobelet
 2. vis
1. Retirez le tapis en caoutchouc de la partie inférieure du porte-gobelet.
 2. Utilisez une clé à douille de 7 mm pour retirer la vis.



6 - Retrait du panneau arrière de la console

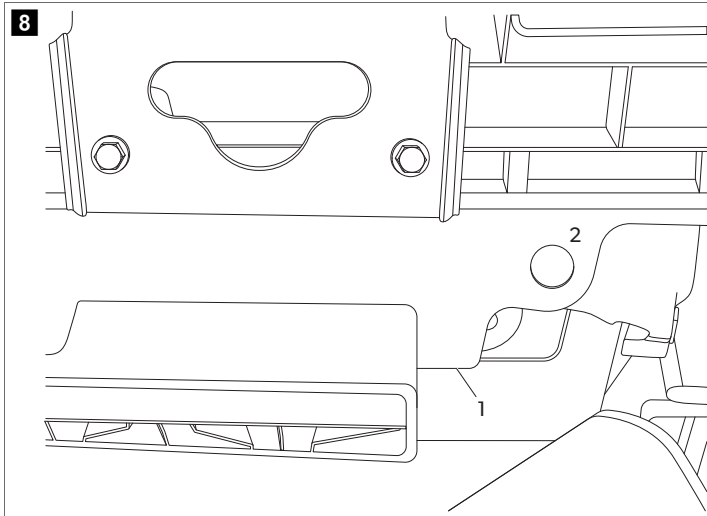
1. Panneau arrière de la console
 2. Outil de dépose du panneau
3. Utilisez l'outil de dépose de panneau ou un objet fin et plat pour retirer le panneau arrière de la console en faisant levier sur celui-ci, tout en veillant à ne pas tirer sur les connexions électriques internes.



7 - Retrait des connexions électriques

1. Connexions électriques
 2. Connecteur d'alimentation gris
 3. Prise 12 V
4. Débranchez le connecteur d'alimentation gris de la prise 12 V.

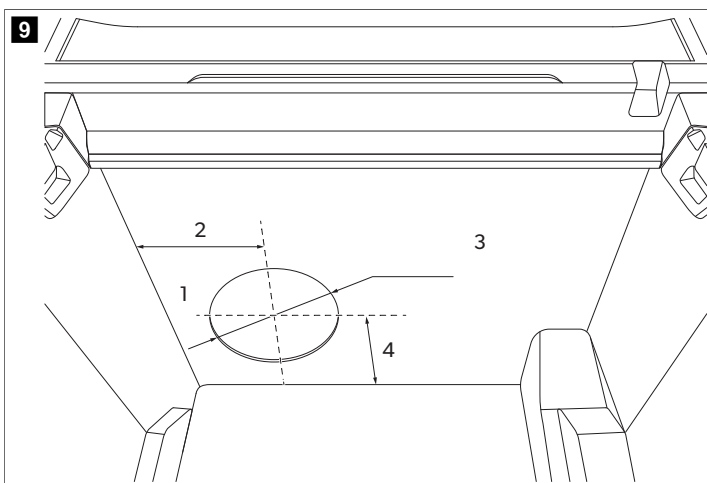
7.3 Préparation de l'emplacement du connecteur d'alimentation



8 - Perçage de l'ouverture du connecteur d'alimentation

1. Paroi arrière de la console
 2. Ouverture du connecteur d'alimentation
1. Sur le côté passager arrière de la console, repérez l'emplacement du trou pour le connecteur d'alimentation 12 V.
 2. À l'aide d'un marqueur, tracez l'ouverture du gabarit du connecteur d'alimentation sur la paroi.
 3. Utilisez la scie-cloche de 1-1/8 po. (29 mm) pour percer une ouverture pour le connecteur d'alimentation 12 V.
 4. Retirez les débris de la console et du bac de la console à l'aide d'un aspirateur.
 5. Placez le réfrigérateur près du bac de la console.
 6. Insérez l'extrémité de la fiche d'alimentation 12 V du réfrigérateur dans le trou de 1-1/8 po. (29 mm) jusqu'à ce qu'elle s'enclenche.

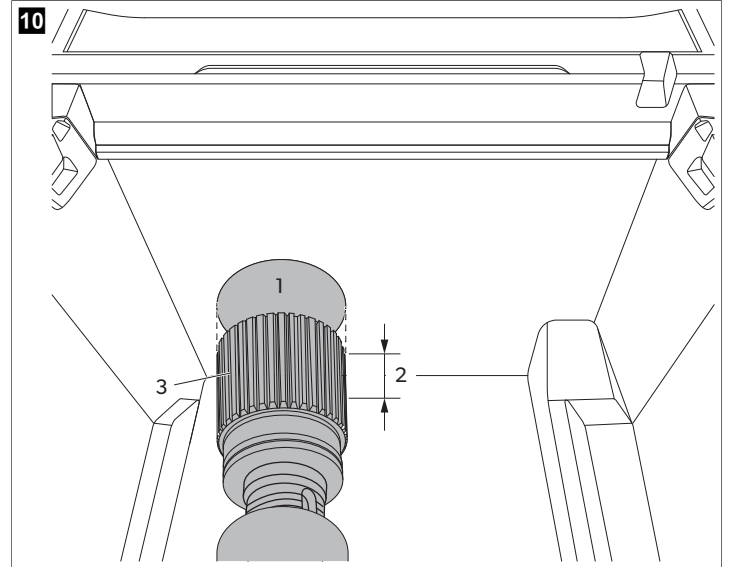
7.4 Préparation de l'ouverture du ventilateur avant



9 - Utilisation du gabarit du ventilateur avant

1. Gabarit du ventilateur avant
 2. 2,1 in (54,0 mm)
 3. Paroi avant du bac de la console
 4. 3,9 in (100,0 mm)
1. Retirez le tapis en caoutchouc de la partie inférieure du bac de la console.
 2. À l'aide du ruban adhésif, collez le gabarit du ventilateur avant sur la paroi intérieure avant du bac de la console.

3. À l'aide d'un marqueur, tracez l'ouverture et repérez son point central en positionnant le gabarit sur la paroi du bac de la console.



10 - Perçage de l'ouverture du ventilateur avant

1. Ouverture de 2,5 in (63,5 mm)
 2. Profondeur de perçage maximale de 3/8 po. (10 mm)
 3. Scie-cloche de 2,5 in (63,5 mm)
 4. Retirez le gabarit du ventilateur avant.
 5. À l'aide d'une scie-cloche de 2,5 in (63,5 mm), percez une ouverture pour le ventilateur avant en veillant à ne pas enfoncer la scie-cloche sous la console.
- i Remarque** Il peut être utile de coller deux bandes de ruban adhésif sur le périmètre extérieur de la scie-cloche pour l'empêcher de s'enfoncer trop loin dans la console.
6. Retirez les débris de la console et du bac de la console à l'aide d'un aspirateur.

7.5 Test du réfrigérateur

1. Branchez la fiche d'alimentation grise sur le connecteur d'alimentation du réfrigérateur.
- i Remarque** Sur les modèles équipés de sièges arrière chauffants, il peut être nécessaire de tirer la gaine en tissu autour du câblage afin que le connecteur d'alimentation gris puisse atteindre le connecteur d'alimentation du réfrigérateur.
2. Démarrez le véhicule.
 3. Vérifiez que le voyant LED bleu est allumé sur le bouton Marche/Arrêt du réfrigérateur. Si ce n'est pas le cas, appuyez sur le bouton.
 4. Le ventilateur du condenseur doit démarrer en émettant un bruit. Reportez-vous à la section Dépannage à la page 19 si le ventilateur du condenseur ne démarre pas.
 5. Appuyez sur le bouton Marche/Arrêt du réfrigérateur pour l'éteindre.
 6. Coupez le moteur du véhicule.
 7. Débranchez le câble d'alimentation 12 V.
 8. Placez le réfrigérateur à l'écart de la console.

8 Installation



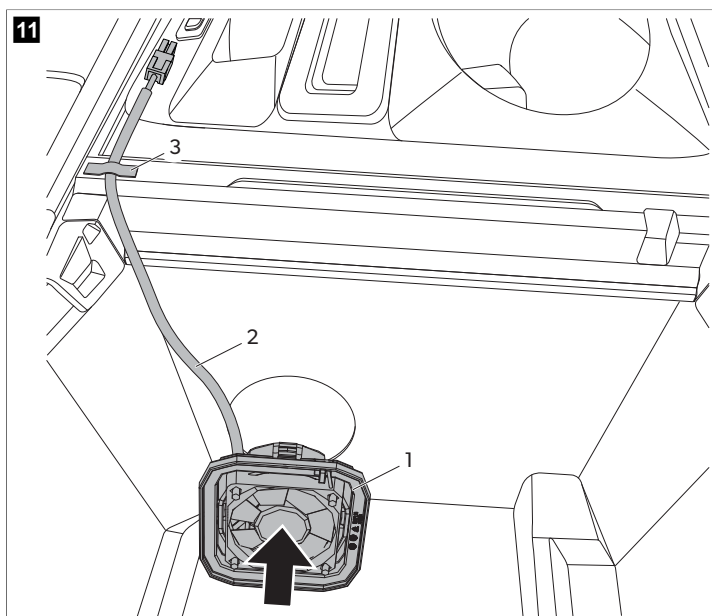
AVERTISSEMENT ! RISQUE D'INCENDIE

Maintenez les ouvertures de ventilation situées dans le bâti de l'appareil ou dans la structure intégrée exemptes de toute obstruction.

**AVIS!**

- Ne laissez **pas** le réfrigérateur en position inversée et ne faites pas fonctionner le compresseur peu après avoir mis le réfrigérateur en position inversée. Dans le cas contraire, le compresseur risque d'être endommagé.
- Évitez de plier, d'écraser ou de casser les fils ou le cordon d'alimentation. Dans le cas contraire, le réfrigérateur risque d'être endommagé.

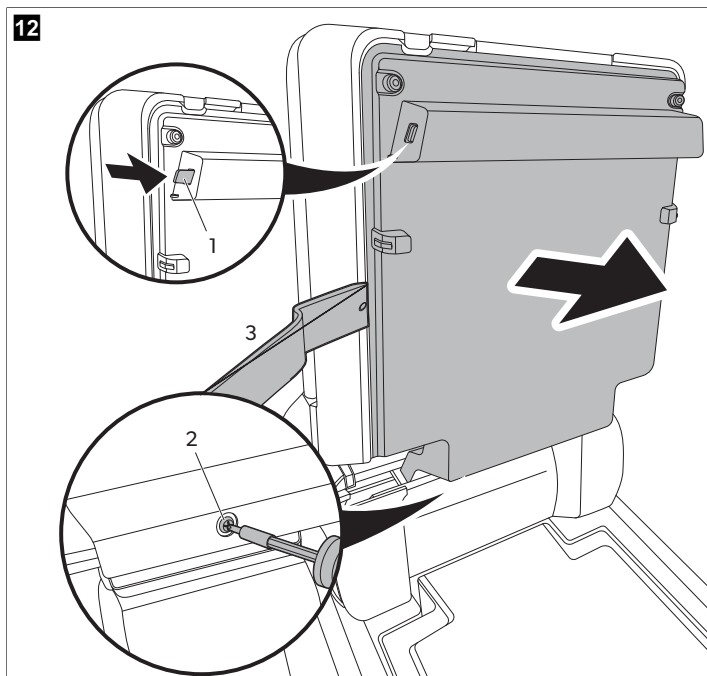
Cette section décrit comment installer le réfrigérateur et réinstaller le panneau arrière de la console, ainsi que les porte-gobelets.

8.1 Installation du ventilateur avant

11 - Installation du ventilateur avant

1. Ventilateur
2. Câblage
3. Ruban adhésif

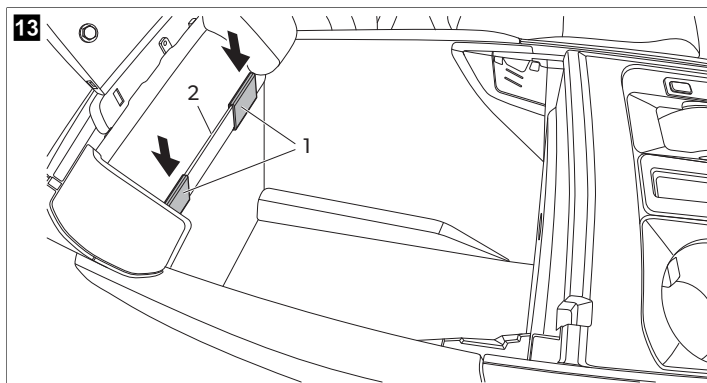
1. Insérez le ventilateur dans l'ouverture avec le câblage orienté vers le haut.
2. Fixez le câblage sur la partie supérieure de la console à l'aide du ruban adhésif, afin qu'il ne vous gêne pas pour installer le réfrigérateur.

8.2 Dépose du capot inférieur du couvercle de la console

12 - Dépose du capot inférieur du couvercle de la console

1. Languettes de verrouillage
2. vis
3. Outil de dépose du panneau

1. Utilisez un tournevis Torx T20 pour retirer la vis située au bas du capot inférieur du couvercle de la console.
2. À l'aide de l'outil de dépose de panneau, soulevez le bas du couvercle jusqu'à ce que les attaches se dégagent.
3. Appuyez sur le bouton du couvercle de la console pour dégager les languettes de verrouillage du capot inférieur.
4. Continuez à soulever le capot inférieur du couvercle de la console jusqu'à ce qu'il soit complètement détaché.
5. Mettez le capot inférieur du couvercle de la console de côté.

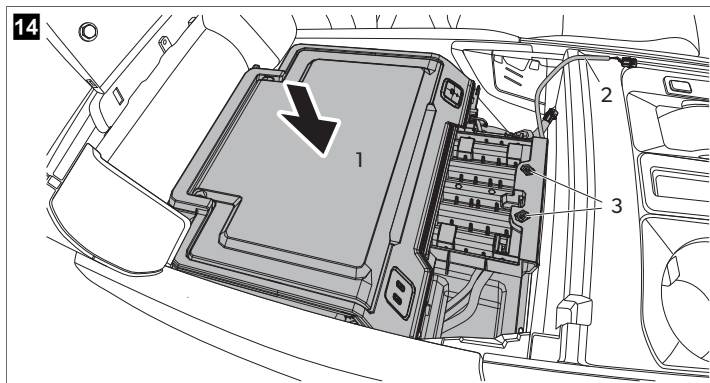
8.3 Installation du réfrigérateur

13 - Pose des tampons de protection en caoutchouc

1. Tampon de protection en caoutchouc
2. Rail arrière

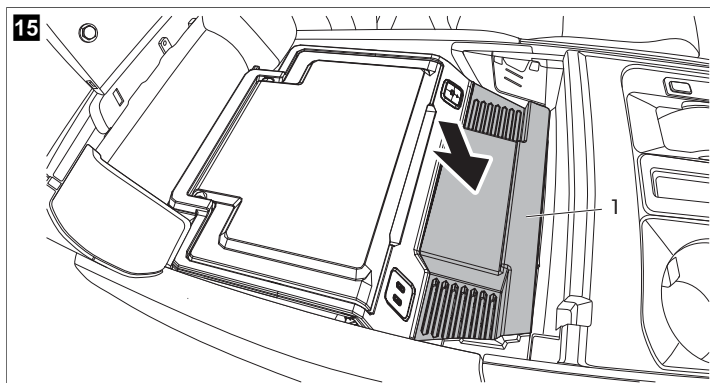
1. Enclenchez les deux tampons de protection en caoutchouc sur le rail arrière du bac de la console.
2. Remplacez le tapis en caoutchouc dans la partie inférieure du bac de la console.
3. Branchez la fiche d'alimentation 12 V au connecteur d'alimentation 12 V.

4. Installez le réfrigérateur dans le bac de la console en veillant à ne pas endommager les composants du circuit de refroidissement.



14 Installation du réfrigérateur

1. Réfrigérateur
2. Connecteur d'alimentation du ventilateur
3. Vis
5. À l'aide d'un tournevis cruciforme n° 2, serrez les vis jusqu'à ce que le réfrigérateur repose fermement contre le rail avant de la console.
6. Branchez le connecteur d'alimentation du ventilateur au connecteur d'alimentation du réfrigérateur et fixez-le à l'écart à l'aide d'un serre-câble.



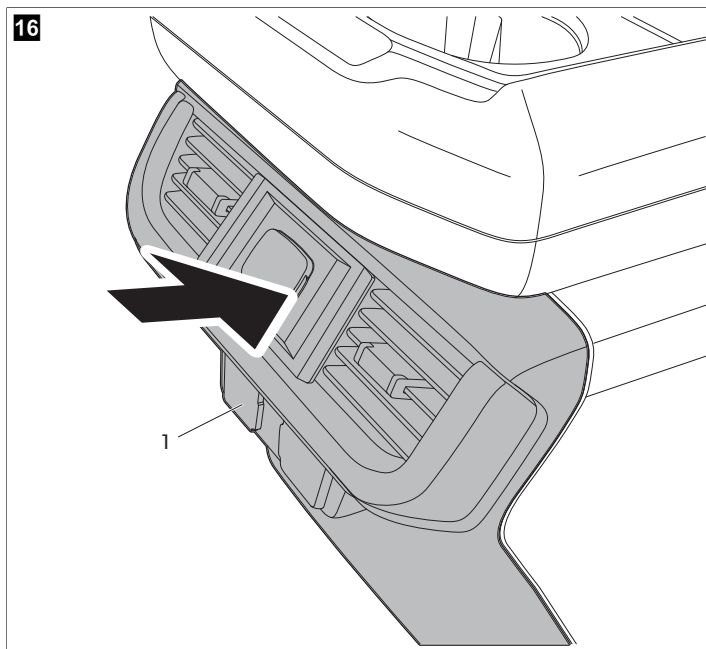
15 - Insertion du plateau de fermeture

1. Plateau de fermeture
7. Placez le plateau de fermeture devant le réfrigérateur et appuyez dessus jusqu'à ce qu'il s'enclenche.

8.4 Réinstallation du capot inférieur du couvercle de la console

1. Enclenchez le capot inférieur du couvercle de la console sur ce dernier.
2. Utilisez un tournevis Torx T20 pour réinstaller la vis au bas du capot inférieur du couvercle de la console.

8.5 Réinstallation du panneau arrière de la console



16 - Réinstallation du panneau arrière de la console

1. Panneau arrière de la console
1. Branchez la fiche d'alimentation grise sur le connecteur d'alimentation 12 V.
 2. En alignant les languettes de retenue sur les rainures, poussez le panneau arrière de la console dans la console jusqu'à ce qu'il s'enclenche.
 3. Utilisez une clé à douille de 7 mm pour réinstaller la vis dans la partie inférieure du porte-gobelet.
 4. Remplacez le tapis en caoutchouc du porte-gobelet.

9 Utilisation



AVERTISSEMENT ! RISQUE D'INCENDIE ET/OU D'EXPLOSION

- Avant d'être utilisé, ce réfrigérateur **doit** être correctement installé et positionné, conformément aux présentes instructions.
- Ne stockez **pas** d'essence ou d'autres liquides dégagant des vapeurs inflammables dans ce réfrigérateur.
- Ne stockez **pas** de substances explosives, telles que des aérosols contenant des propulsifs inflammables dans ce réfrigérateur.
- N'utilisez **pas** d'appareils électriques à l'intérieur des compartiments de stockage des aliments du réfrigérateur.



AVIS !

Évitez de renverser du liquide dans les orifices de ventilation du plateau de fermeture. Cela pourrait endommager le ventilateur ou le câblage électrique du réfrigérateur.

Cette section fournit des instructions concernant l'utilisation appropriée du réfrigérateur.

9.1 Mise en marche du réfrigérateur

Appuyez sur le bouton ON/OFF. Le voyant LED bleu du bouton s'allume lorsque le réfrigérateur est en marche.

Le réfrigérateur reste allumé jusqu'à ce qu'il soit éteint manuellement. Si le réfrigérateur est en marche et que le moteur du véhicule est coupé :

- Le réfrigérateur continuera à consommer l'énergie de la batterie jusqu'à ce que la tension chute en dessous de 12,0 V. Si ce seuil est atteint, le réfrigérateur s'éteint jusqu'au redémarrage du moteur.
- Le réfrigérateur se remettra en marche au redémarrage du moteur.

er un fonctionnement dangereux. La maintenance préventive n'est pas couverte par la garantie.

10.1 Nettoyage du réfrigérateur



AVIS ! N'utilisez pas de produits de nettoyage abrasifs ou de produits chimiques corrosifs, car ils pourraient endommager le réfrigérateur.

Si le réfrigérateur est sale, nettoyez-le avec une éponge non abrasive humide ou un chiffon en microfibre.

Si de la condensation ou du liquide s'accumulent à l'intérieur, éliminez-les avec une éponge non abrasive ou un chiffon en microfibre.

10.2 Entretien du réfrigérateur lorsqu'il n'est pas utilisé

Pour un entretien optimal du réfrigérateur lorsqu'il n'est pas utilisé, respectez les instructions suivantes :

- Nettoyez et séchez l'intérieur du réfrigérateur pour éviter les odeurs persistantes.
- Évitez de stocker des produits réfrigérés dans le réfrigérateur lorsqu'il n'est pas en marche.
- Évitez de stocker des objets pointus ou non destinés à la réfrigération dans le réfrigérateur.

11 Dépannage

Panne	Cause possible	Solution proposée
Les produits réfrigérés ne sont pas froids.	Le réfrigérateur n'est pas en marche.	Vérifiez que le réfrigérateur est en marche. Reportez-vous à la section Mise en marche du réfrigérateur à la page 18.
	Le réfrigérateur n'est pas alimenté en électricité.	<ol style="list-style-type: none"> Localisez et inspectez le fusible du véhicule. Si le fusible est grillé, remplacez-le. Localisez et inspectez le fusible du réfrigérateur. Si le fusible est grillé, remplacez-le.
	Le ventilateur ne fonctionne pas.	<ol style="list-style-type: none"> Localisez et inspectez le fusible du véhicule. Si le fusible est grillé, remplacez-le. Localisez et inspectez le fusible du réfrigérateur. Si le fusible est grillé, remplacez-le.
De la condensation s'est formée autour du couvercle du réfrigérateur.	Le couvercle du réfrigérateur ne se ferme pas correctement.	Retirez toute obstruction autour du couvercle du réfrigérateur et du couvercle de la console afin qu'ils se ferment complètement.
	Le joint du couvercle est endommagé.	Inspectez le couvercle et remplacez-le si le joint d'étanchéité est endommagé.
	L'unité de contrôle électronique (UCE) présente une anomalie.	Contactez un technicien qualifié.
Le ventilateur est bruyant.	Le ventilateur est obstrué.	<ol style="list-style-type: none"> Vérifiez que le réfrigérateur est éteint. Retirez le réfrigérateur, inspectez le ventilateur et éliminez toute obstruction.

9.2 Arrêt du réfrigérateur

Appuyez sur le bouton ON/OFF. Le voyant LED bleu du bouton ne s'allume pas lorsque le réfrigérateur est éteint.

Le réfrigérateur reste éteint jusqu'à ce qu'il soit mis en marche manuellement. Si le réfrigérateur est éteint et que le moteur du véhicule est coupé, le réfrigérateur reste éteint.

9.3 Ajustement du réfrigérateur

La température de refroidissement est automatiquement maintenue et n'est pas réglable.

9.4 Ouverture et fermeture du réfrigérateur

Ouvrez et fermez le réfrigérateur en soulevant le couvercle de la console, puis en soulevant le couvercle du réfrigérateur.



Remarque Assurez-vous que le couvercle de la console n'entrave pas l'ouverture et la fermeture du couvercle du réfrigérateur.



Remarque Le couvercle du réfrigérateur est conçu pour rester fermé et peut être maintenu ouvert manuellement. Lorsque le couvercle du réfrigérateur est ouvert, une lampe LED illumine l'intérieur.

9.5 Stockage de produits réfrigérés

Pour une utilisation optimale du réfrigérateur, tenez compte des directives suivantes :

- Évitez de placer des produits d'une température supérieure ou égale à 24 °C (75 °F) dans le réfrigérateur. Pour une efficacité optimale, laissez les produits refroidir jusqu'à 10 °C (50 °F) ou moins avant de les placer à l'intérieur du réfrigérateur.
- Ne placez jamais de liquides ou d'aliments chauds à l'intérieur.
- Ne stockez jamais de glace ou de liquides non contenus à l'intérieur du réfrigérateur.
- Le volume total des produits placés à l'intérieur du réfrigérateur ne doit pas dépasser son volume de stockage.
- Pour maintenir une température constante, ouvrez le couvercle le moins longtemps possible.

10 Maintenance



AVERTISSEMENT ! RISQUE DE CHOC ÉLECTRIQUE, D'INCENDIE ET/OU D'EXPLOSION

- Éteignez toujours le réfrigérateur avant toute opération de nettoyage ou de maintenance.
- Les opérations de maintenance et les réparations doivent uniquement être réalisées par un technicien qualifié.
- N'utilisez pas de dispositifs mécaniques pour décongeler le réfrigérateur.
- Ne percez pas le circuit de fluide frigorigène.
- L'appareil doit uniquement être réparé par des techniciens qualifiés.

Les instructions de maintenance et de nettoyage fournies dans cette section doivent être appliquées aux intervalles spécifiés ou selon les besoins, en fonction de l'utilisation de l'appareil. Un entretien incorrect de l'appareil peut annuler la garantie et entraîner

Panne	Cause possible	Solution proposée
		3. Si le problème persiste, contactez un technicien qualifié.
Une odeur se dégage de l'intérieur du réfrigérateur.	Des résidus se sont accumulés à l'intérieur du réfrigérateur.	Nettoyez l'intérieur du réfrigérateur. Reportez-vous à la section Nettoyage du réfrigérateur à la page 19.

12 Informations sur la garantie

Consultez les sections ci-dessous pour de plus amples informations relatives à la garantie et l'assistance dans le cadre de la garantie aux États-Unis, au Canada et dans toutes les autres régions.

12.1 États-Unis et Canada

GARANTIE LIMITÉE DISPONIBLE SUR DOMETIC.COM/EN-US/TERMS-AND-CONDITIONS-CONSUMER/WARRANTY.

POUR TOUTE QUESTION OU POUR OBTENIR UNE COPIE GRATUITE DE LA GARANTIE LIMITÉE, CONTACTEZ :

DOMETIC CORPORATION
 CUSTOMER SUPPORT CENTER
 5155 VERDANT DRIVE
 ELKHART, INDIANA, 46516
 1-800-544-4881

12.2 Tous les autres pays

La période de garantie légale s'applique. Si le produit est défectueux, contactez la succursale du fabricant de votre région ou votre revendeur (consultez les adresses Web figurant au dos de ce manuel d'instructions pour localiser votre région ou votre revendeur).

Pour toutes réparations ou autres prestations de garantie, veuillez joindre à l'appareil les documents suivants :

- une copie de la facture avec la date d'achat
- un motif de réclamation ou une description du dysfonctionnement

13 Mise au rebut



Dans la mesure du possible, veuillez éliminer les emballages dans les conteneurs de déchets recyclables prévus à cet effet. Contactez le centre de recyclage local ou votre revendeur spécialisé pour savoir comment mettre le produit au rebut conformément aux réglementations nationales et locales en vigueur.



Nota Información complementaria para el manejo del producto.

Spanish

1	Notas importantes.....	21
2	Descripción de los símbolos e instrucciones de seguridad.....	21
3	Uso previsto.....	21
4	Indicaciones generales.....	22
5	Especificaciones.....	23
6	Diagrama de conexiones.....	23
7	Preinstalación.....	23
8	Instalación.....	25
9	Funcionamiento.....	27
10	Mantenimiento.....	28
11	Solución de problemas.....	28
12	Información de la garantía.....	29
13	Eliminación.....	29

1 Notas importantes

Lea atentamente estas instrucciones y siga las indicaciones, directrices y advertencias incluidas en este manual para asegurarse de que instala, utiliza y mantiene correctamente el producto en todo momento. Estas instrucciones DEBEN conservarse junto con este producto.

Al utilizar el producto, usted confirma que ha leído cuidadosamente todas las instrucciones, directrices y advertencias, y que entiende y acepta cumplir los términos y condiciones aquí establecidos. Usted se compromete a utilizar este producto solo para el propósito y la aplicación previstos y de acuerdo con las instrucciones, directrices y advertencias establecidas en este manual del producto, así como de acuerdo con todas las leyes y reglamentos aplicables. La no lectura y observación de las instrucciones y advertencias aquí expuestas puede causarle lesiones a usted o a terceros, daños en el producto o daños en otras propiedades cercanas. Este manual del producto, incluyendo las instrucciones, directrices y advertencias, y la documentación relacionada, pueden estar sujetos a cambios y actualizaciones. Para obtener información actualizada sobre el producto, visite la página documents.dometic.com.

2 Descripción de los símbolos e instrucciones de seguridad

Este manual contiene información de seguridad e instrucciones para ayudarle a eliminar o reducir el riesgo de accidentes y lesiones.

2.1 Identificar la información de seguridad



¡ADVERTENCIA! Este es el símbolo de alerta de seguridad.

Se utiliza para alertarle de los posibles riesgos de lesiones físicas. Respetar todos los mensajes de seguridad que siguen a este símbolo para evitar posibles lesiones o incluso la muerte.

2.2 Interpretar los avisos

Una palabra de advertencia señalará los mensajes de seguridad y de daño material, y también indicará el grado o nivel de gravedad del riesgo.



¡ADVERTENCIA!

Indica una situación peligrosa que, de **no** evitarse, ocasionará la muerte o lesiones graves.



¡ATENCIÓN!

Indica una situación peligrosa que, de **no** evitarse, puede ocasionar lesiones moderadas o leves.



¡AVISO!

Se utiliza para tratar cuestiones que **no** están relacionadas con las lesiones físicas.

2.3 Normativas complementarias

Para reducir el riesgo de accidentes y lesiones, tenga en cuenta las pautas siguientes antes de instalar o utilizar este aparato:

- Leer y respetar toda la información y las instrucciones de seguridad.
- Leer y comprender estas instrucciones antes de instalar este producto.
- La instalación debe cumplir con todos los códigos locales o nacionales aplicables.

2.4 Mensajes generales de seguridad



¡ADVERTENCIA! PELIGRO DE DESCARGA ELÉCTRICA, INCENDIO Y/O EXPLOSIÓN

- Utilizar exclusivamente piezas de repuesto y componentes de Dometic que estén específicamente aprobados para su uso con el producto.
- Evitar una instalación, ajuste, modificación, servicio o mantenimiento inadecuados del electrodoméstico. El servicio y el mantenimiento **deben** ser realizados únicamente por personal de servicio cualificado.
- **No** modificar ninguno de los componentes de este producto. Realizar cualquier modificación puede ser extremadamente peligroso.
- **No** sumerja este producto en agua.
- **No** use este producto para ningún otro propósito que no sea como aparato de refrigeración móvil.
- Preste atención a la hora de diagnosticar y/o ajustar los componentes en una unidad con la alimentación conectada.
- Apague el motor del vehículo durante la instalación.
- Deseche adecuadamente de acuerdo con las reglamentaciones federales o locales aplicables.
- **No** taladre ni perfore el grupo de nevera ni sus tuberías. Siga cuidadosamente las instrucciones de manipulación.



¡ADVERTENCIA! PELIGRO POR MONÓXIDO DE CARBONO Y/O PELIGRO DE SEGURIDAD DEL VEHÍCULO

- Estacione el vehículo en un área bien ventilada durante el proceso de instalación.
- Asegúrese de que el vehículo esté estacionado con el freno de estacionamiento activado en todo momento durante el proceso de instalación.
- Siga todos los procedimientos de seguridad del fabricante del vehículo.



¡ATENCIÓN! PELIGRO DE ATRAPAMIENTO Y/O IMPACTO

Evite tocar el compresor o las aspas del ventilador frontal durante la instalación.



¡AVISO!

- **No** use una regla ni un divisor de dos vías.
- **No** use adaptadores de cable de alimentación que no sean los proporcionados por el fabricante.
- **No** llene este producto con cubitos de hielo ni agua. Si se acumula escarcha o condensación dentro de este producto, séquelo con una esponja suave o un paño de microfibra.

3 Uso previsto

La nevera para la consola central (o "nevera") ofrece a los pasajeros del vehículo un acceso cómodo a productos refrigerados desde la propia cabina del vehículo. La nevera está diseñada para encajar en el espacio de la consola existente y proporcionar un ambiente de refrigeración controlado automáticamente para artículos envasados. Este re-

frigorizador solo es apto para el uso previsto y la aplicación de acuerdo con estas instrucciones.

Este manual proporciona la información necesaria para la correcta instalación y/o funcionamiento de la nevera. Una instalación deficiente y/o un uso y mantenimiento inadecuados conllevan un rendimiento insatisfactorio y posibles fallos. El fabricante no se hace responsable de ninguna lesión o daño en el producto ocasionados por:

- Un montaje o conexión incorrectos, incluido un exceso de tensión
- Un mantenimiento incorrecto o el uso de piezas de repuesto distintas de las originales proporcionadas por el fabricante
- Modificaciones realizadas en el producto sin el expreso consentimiento del fabricante
- Uso con una finalidad distinta de la descrita en las instrucciones

Dometic se reserva el derecho de cambiar la apariencia y las especificaciones del producto.

4 Indicaciones generales

Esta sección proporciona información sobre las piezas incluidas, las herramientas y los materiales de instalación y las ubicaciones de los componentes de la nevera.

i Nota Las imágenes utilizadas en este documento son solo para fines de referencia. Los componentes y su ubicación pueden variar según los modelos de productos específicos. Las medidas pueden variar ± 0,4 in (10,0 mm).

4.1 Herramientas y materiales

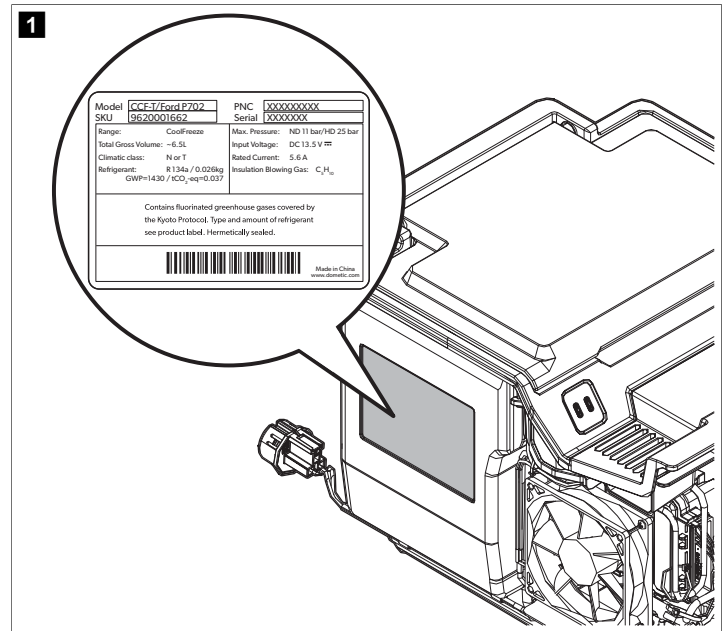
Dometic recomienda utilizar las siguientes herramientas y materiales al instalar el aparato.

Piezas incluidas	Cantidad
Nevera	1
Alfombrilla de goma	1
Ventilador frontal	1
Plantilla del ventilador frontal	1
Tapa del orificio del ventilador frontal	1
Plantilla del conector de alimentación	1
Pieza protectora de goma	2
Guarnecido de la cubierta superior	1

Herramientas recomendadas	
Taladro	Herramienta de extracción de paneles
Broca de 2,5 in (63,5 mm) para sierra de corona	Destornillador Phillips n.º 2
Broca de 1-1/8 in (29 mm) para sierra de corona	Cinta adhesiva extraíble
Llave de tubo de 7 mm	Destornillador Torx T20
Rotulador	Aspiradora o Shop Vac
Múltímetro	

4.2 Placa de características

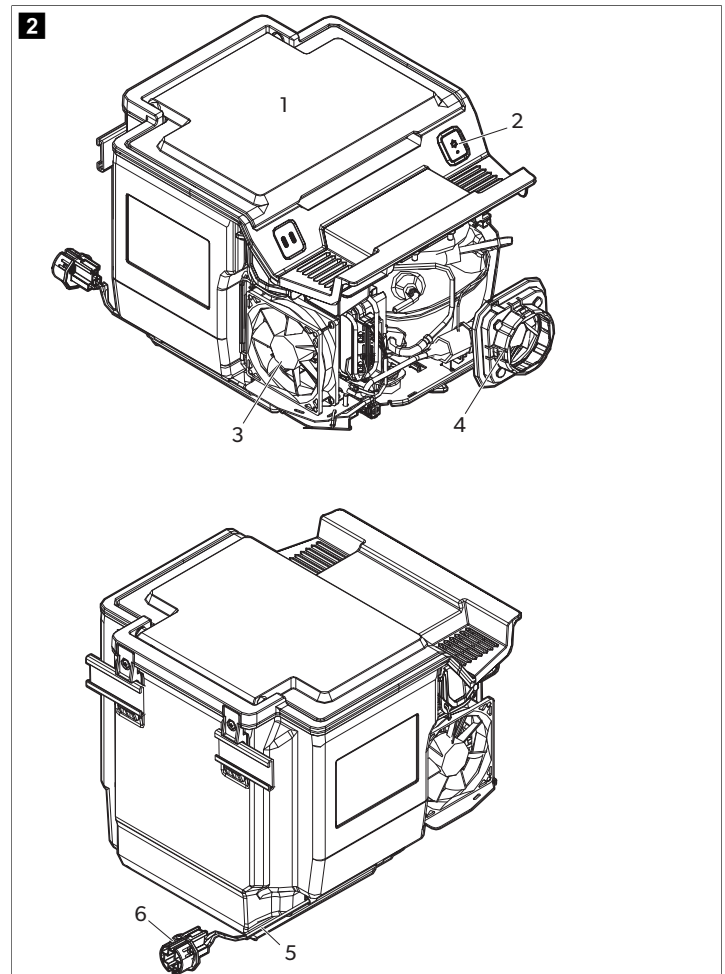
Esta sección proporciona la ubicación de la placa de características de la nevera. Tenga esta información disponible si tiene que llamar al centro de atención al cliente de Dometic.



1 - Ubicación de la placa de características

4.3 Ubicación de los componentes

Esta sección identifica los componentes principales de la nevera.

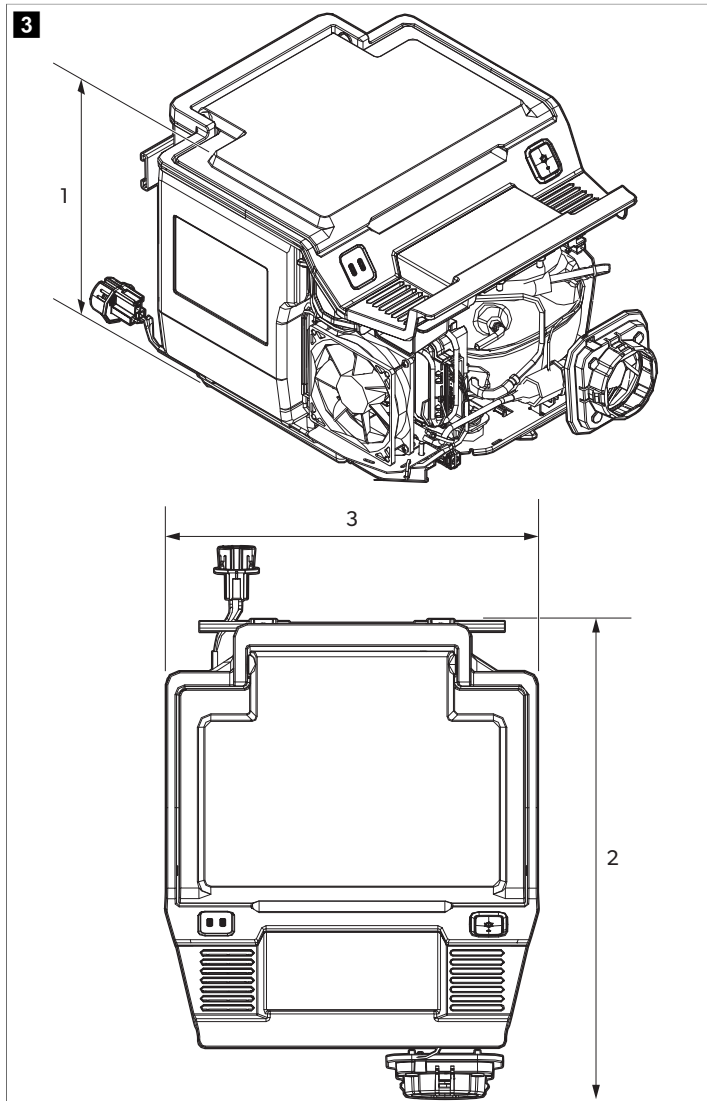


2 - Ubicación de los componentes

1. Unidad de nevera
2. Tecla ON/OFF con LED
3. Ventilador del condensador
4. Ventilador frontal
5. Cable de alimentación de 12 V
6. Enchufe de alimentación de 12 V

4.4 Dimensiones externas

Esta sección identifica las dimensiones externas de la nevera.



3 - Dimensiones externas

1. Altura: 11,1 in (282,4 mm)
2. Profundidad: 12,8 in (325,6 mm)
3. Anchura: 10,7 in (273,0 mm)

5 Especificaciones

Peso	12,1 lb (5,48 kg)
Entrada de tensión	12-16 V DC
Protección contra baja tensión	12,0 V DC

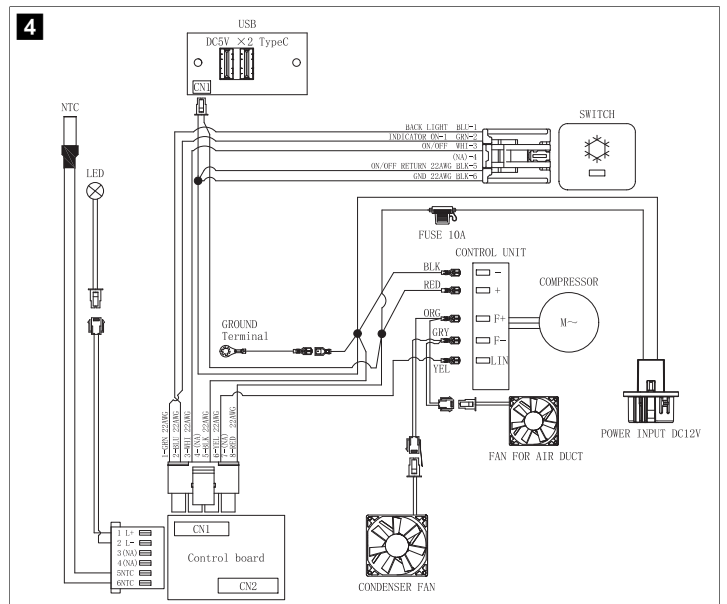
Consumo de energía en el arranque	5,6 A
Consumo de energía durante el funcionamiento a una temperatura ambiente de 90,0 °F (32,2 °C)	4,2 A
Volumen interno	1,72 gal (6,5 L)
Capacidad de almacenamiento de bebidas	<ul style="list-style-type: none"> • Seis 16,907 fl oz (500,00 mL) botellas • Nueve 12,004 fl oz (355,00 mL) latas
Refrigerante y carga	R134a 0,9 oz (26,00 g)
Temperatura de consigna	37,0 °F (2,8 °C)
Luz interior	LED
Modelos de vehículo	Ford F-150 (2021+) con flujo a través de la consola central

6 Diagrama de conexiones



¡ADVERTENCIA! PELIGRO DE DESCARGA ELÉCTRICA

Desconecte la alimentación antes de realizar cualquier instalación eléctrica o actividades de mantenimiento.



4 - Diagrama de conexiones

7 Preinstalación



¡ADVERTENCIA! PELIGRO POR MONÓXIDO DE CARBONO Y/O PELIGRO DE SEGURIDAD DEL VEHÍCULO

- Estacione el vehículo en un área bien ventilada durante el proceso de instalación.
- Apague el motor del vehículo.
- Asegúrese de que el vehículo esté estacionado con el freno de estacionamiento activado en todo momento durante el proceso de instalación.



¡AVISO!

Intente no apretar, aplastar ni romper el cable de alimentación ni el resto de cables. De lo contrario, se podrían producir daños en la nevera.

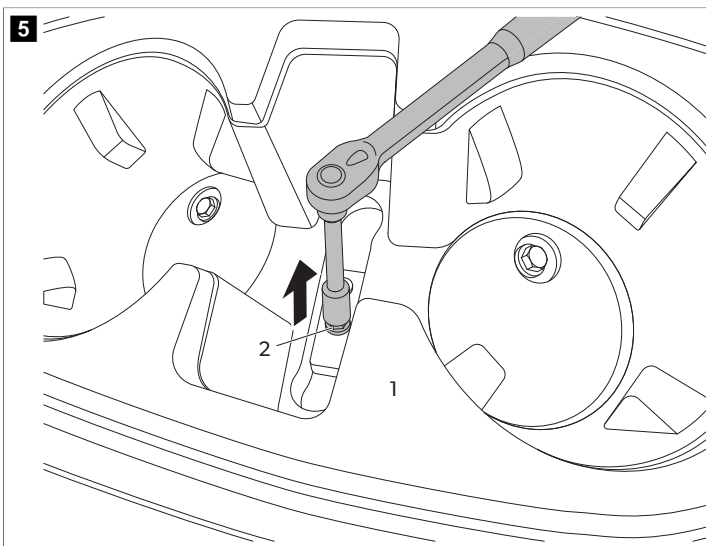
i Nota La tapa de la consola debe permanecer abierta durante los procedimientos de preinstalación e instalación.

Esta sección describe la evaluación y los preparativos de la ubicación para instalar la nevera.

7.1 Evaluación del lugar de instalación

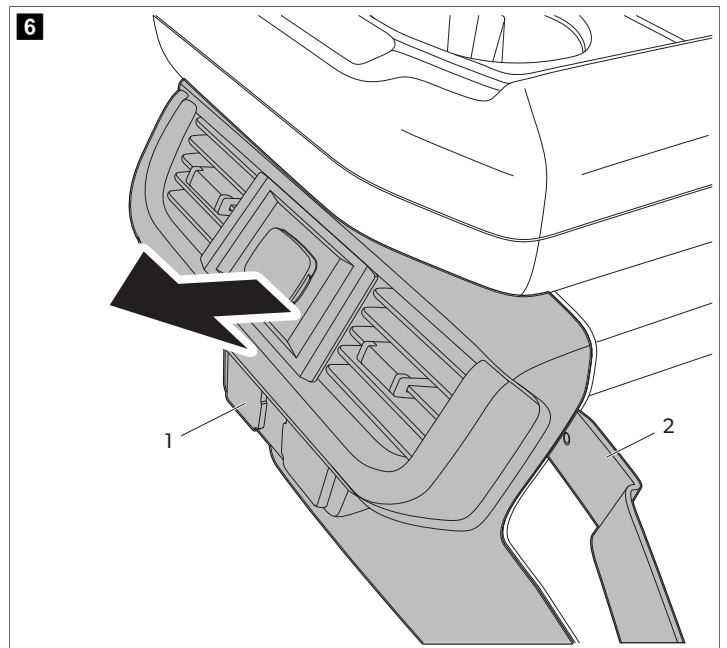
1. Confirme que el vehículo sea del modelo, año del modelo y nivel de equipamiento correctos para ser compatible con la nevera. Véase Especificaciones en la página 23 para obtener más información. Solo son elegibles los paquetes de equipamiento con una consola de piso central integrada.
2. Verifique que se disponga de las piezas y herramientas correctas para realizar la instalación de la nevera. Véase Herramientas y materiales en la página 22 para obtener más información.

7.2 Retirada del panel posterior de la consola



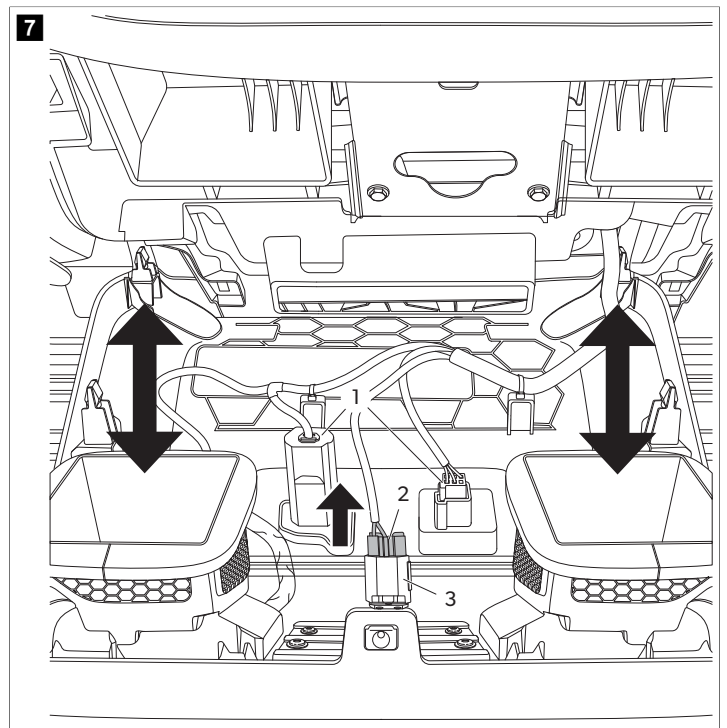
5 - Retirada del tornillo del portavasos

1. Portavasos
 2. Tornillo
1. Retire la alfombrilla de goma de la parte inferior del portavasos.
 2. Utilice una llave de cubo de 7 mm para retirar el tornillo.



6 - Retirada del panel posterior de la consola

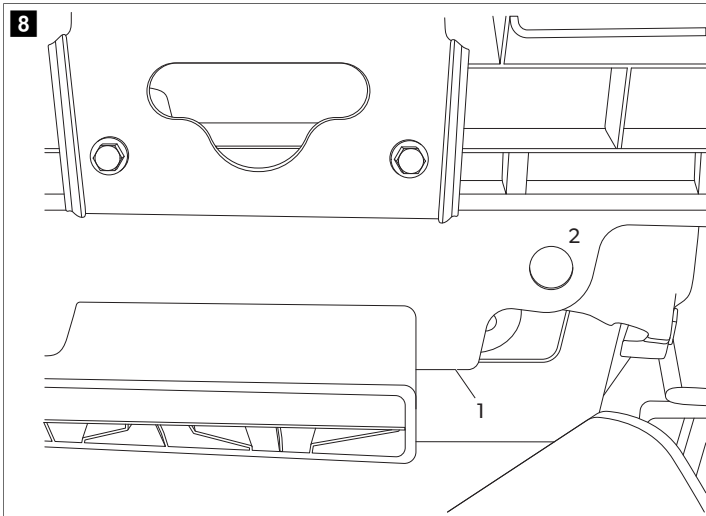
1. Panel posterior de la consola
 2. Herramienta de extracción de paneles
3. Utilice una herramienta de extracción de paneles o un objeto plano y fino para hacer palanca en el panel posterior de la consola, teniendo cuidado de no forzar las conexiones eléctricas internas.



7 - Retirada de la conexión eléctrica

1. Conexiones eléctricas
 2. Conector de alimentación gris
 3. Toma de 12 V
4. Desenchufe el conector de alimentación gris de la toma de 12 V.

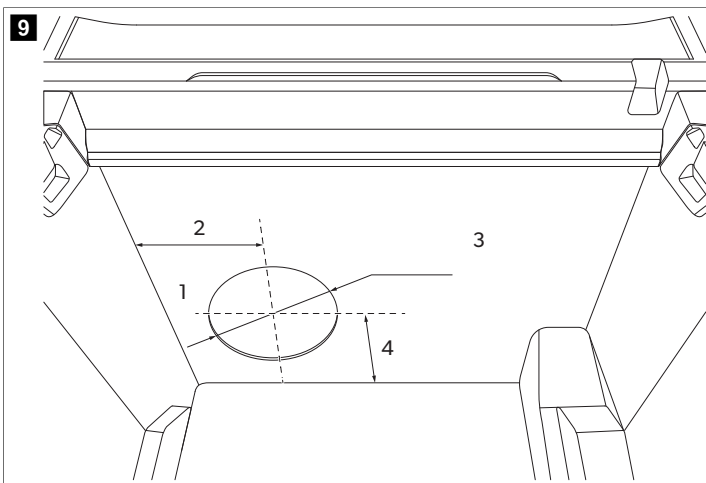
7.3 Preparación de la ubicación del conector de alimentación



8 - Perforación de la abertura del conector de alimentación

1. Pared posterior de la consola
 2. Abertura del conector de alimentación
1. En el lado del acompañante trasero de la consola, identifique la ubicación del orificio para el conector de alimentación de 12 V.
 2. Con un rotulador, trace la abertura de la plantilla del conector de alimentación en la pared.
 3. Utilice la broca de 1 1/8 in (29 mm) para sierra de corona para perforar una abertura para el conector de alimentación de 12 V.
 4. Aspire cualquier residuo de la consola y del área del compartimento de la consola.
 5. Coloque la nevera cerca del compartimento de la consola.
 6. Inserte el extremo del enchufe de alimentación de 12 V de la nevera en el orificio de 1 1/8 in (29 mm) hasta que encaje en su sitio.

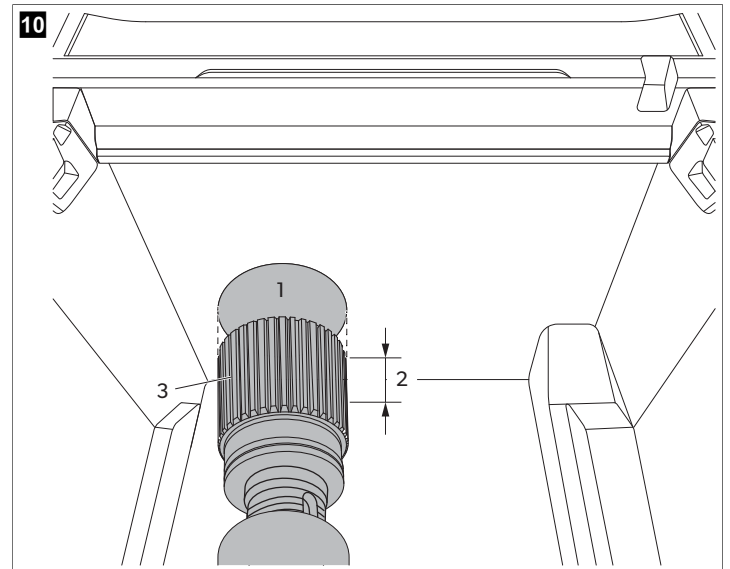
7.4 Preparación de la abertura del ventilador frontal



9 - Uso de la plantilla del ventilador frontal

1. Plantilla del ventilador frontal
 2. 2,1 in (54,0 mm)
 3. Pared frontal del compartimento de la consola
 4. 3,9 in (100,0 mm)
1. Retire la esterilla de goma de la parte inferior del compartimento de la consola.
 2. Pegue con cinta adhesiva la plantilla del ventilador frontal en el interior de la pared frontal del compartimento de la consola.

3. Con un marcador, trace el punto central que se abre desde la plantilla hasta la pared del compartimento de la consola.



10 - Perforación de la abertura del ventilador frontal

1. Orificio de 2,5 in (63,5 mm)
2. Profundidad de perforación máxima de 3/8 in (10 mm)
3. Broca de 2,5 in (63,5 mm) para sierra de corona
4. Retire la plantilla del ventilador frontal.
5. Utilice una broca de 2,5 in (63,5 mm) para sierra de corona para perforar una abertura para el ventilador frontal, con cuidado de no empujar la broca en el espacio debajo de la consola.



Nota Puede ser útil enrollar dos bandas de cinta alrededor de la parte exterior de la broca para sierra de corona para evitar que entre demasiado en la consola.

6. Aspire cualquier residuo de la consola y del área del compartimento de la consola.

7.5 Comprobación de la nevera

1. Enchufe el conector de alimentación gris en el conector de alimentación de la nevera.



Nota En los modelos con asientos térmicos traseros, es posible que sea necesario tirar de la envoltura de tela alrededor del cableado para dejar suficiente holgura para que el conector de alimentación gris llegue al conector de alimentación de la nevera.

2. Arranque el motor del vehículo.
3. Confirme que el LED azul esté iluminado en la tecla ON/OFF de la unidad de nevera. Si no es así, pulse el botón.
4. Escuche el arranque del ventilador del condensador. Véase Solución de problemas en la página 28 si el ventilador del condensador no arranca.
5. Mantenga presionada la tecla ON/OFF para apagar la unidad de nevera.
6. Apague el motor del vehículo.
7. Desenchufe el cable de alimentación de 12 V.
8. Coloque la unidad de nevera lejos de la consola.

8 Instalación



¡ADVERTENCIA! PELIGRO DE INCENDIO

Mantenga sin obstrucciones las aberturas de ventilación en la carcasa del aparato o en la estructura integrada.

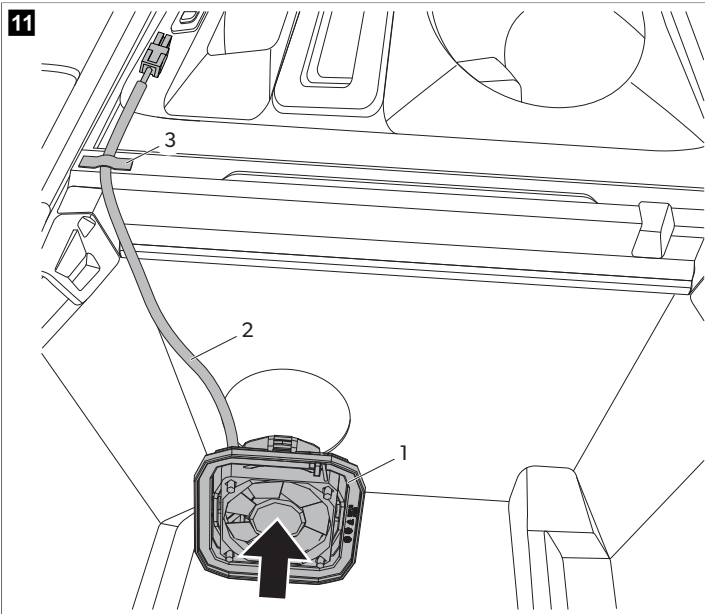


¡AVISO!

- No deje la unidad de nevera en posición invertida ni haga funcionar el compresor poco después de que la nevera haya estado en una posición invertida. De lo contrario, pueden producirse daños en el compresor.
- Intente no apretar, aplastar ni romper el cable de alimentación ni el resto de cables. De lo contrario, podría dañarse la unidad de nevera.

Esta sección describe cómo instalar y cablear la unidad de nevera y cómo reinstalar el panel posterior de la consola y los portavasos.

8.1 Instalación del ventilador frontal

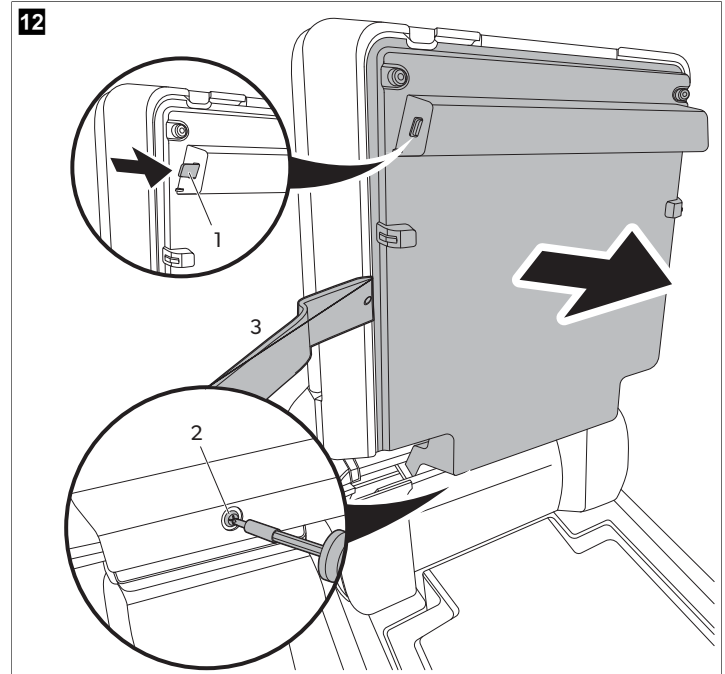


11 - Instalación del ventilador frontal

- 1. Ventilador
- 2. Cableado
- 3. Cinta

1. Inserte el ventilador en la abertura con el cableado hacia arriba.
2. Fije con cinta el cableado a la parte superior de la consola para que no moleste al instalar la nevera.

8.2 Retirada de la cubierta inferior de la tapa de la consola

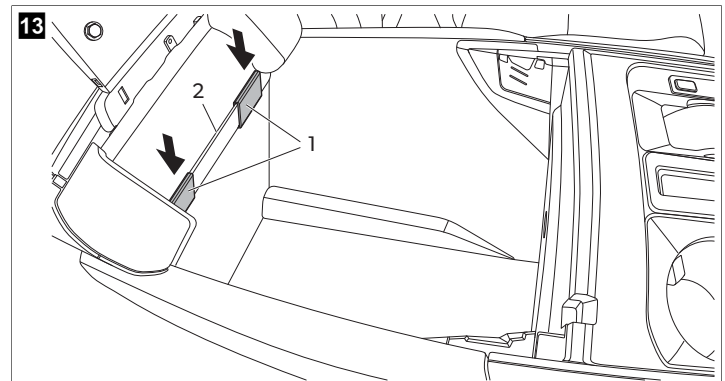


12 - Retirada de la cubierta inferior de la tapa de la consola

- 1. Lengüetas de bloqueo
- 2. Tornillo
- 3. Herramienta de extracción de paneles

1. Utilice un destornillador Torx T20 para retirar el único tornillo de la parte inferior de la cubierta inferior de la tapa de la consola.
2. Utilice una herramienta de extracción de paneles para hacer palanca en la parte inferior de la cubierta hasta que los clips se suelten.
3. Presione el botón de la tapa de la consola para soltar las lengüetas de bloqueo de la cubierta inferior de la tapa de la consola.
4. Siga haciendo palanca en la cubierta inferior de la tapa de la consola hasta que se haya soltado por completo.
5. Aparte la cubierta inferior de la tapa de la consola.

8.3 Instalación de la nevera

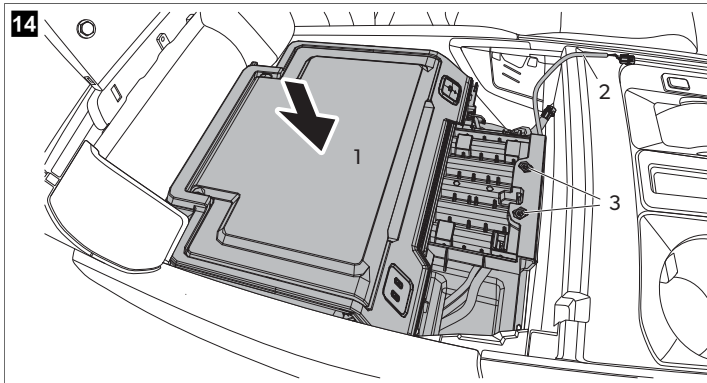


13 - Instalación de las piezas protectoras de goma

- 1. Pieza protectora de goma
- 2. Rail trasero

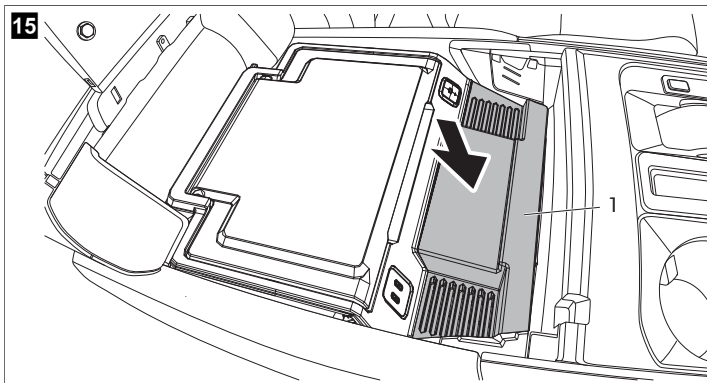
1. Encaje las dos piezas protectoras de goma en el rail trasero del compartimento de la consola.
2. Vuelva a colocar la alfombrilla de goma en la parte inferior del compartimento de la consola.

3. Enchufe el enchufe de alimentación de 12 V en el conector de alimentación de 12 V.
4. Baje la nevera al compartimento de la consola teniendo cuidado de no dañar los componentes del sistema de refrigeración.



14 - Instalación de la nevera

1. Nevera
 2. Conector de alimentación del ventilador
 3. Tornillos
5. Utilice un destornillador Phillips del n.º 2 para apretar los tornillos a mano hasta que la nevera se asiente firmemente contra el raíl delantero de la consola.
 6. Conecte el conector de alimentación del ventilador al conector de alimentación de la nevera y fíjelo para que no estorbe con una abrazadera para cables.



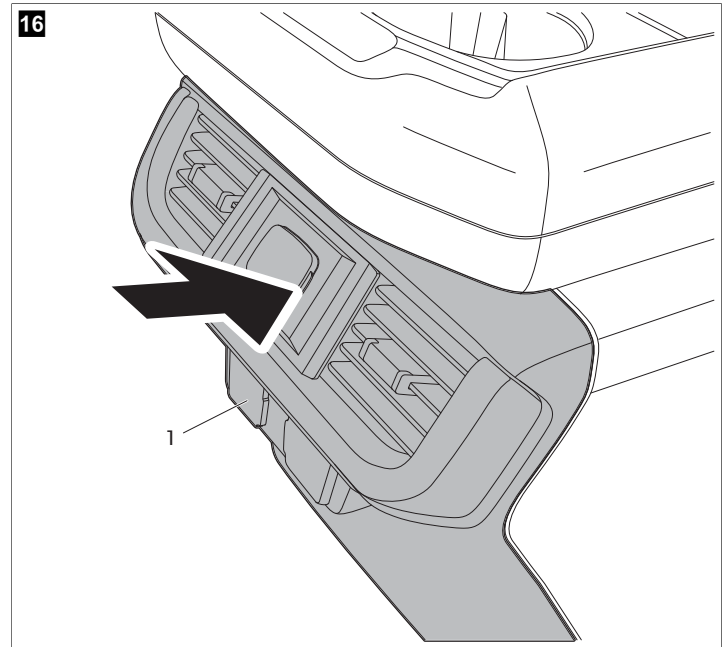
15 - Inserción de la bandeja de cierre

1. Bandeja de cierre
7. Coloque la bandeja de cierre delante de la nevera y presione hacia abajo hasta que encaje en su sitio.

8.4 Reemplazo de la cubierta inferior de la tapa de la consola

1. Encaje la cubierta inferior de la tapa de la consola en la tapa de la consola.
2. Utilice un destornillador Torx T20 para reemplazar el único tornillo de la parte inferior de la cubierta inferior de la tapa de la consola.

8.5 Reinstalación del panel posterior de la consola



16 - Reinstalación del panel posterior de la consola

1. Panel posterior de la consola

1. Enchufe el conector de alimentación gris en el conector de alimentación de 12 V
2. Alineando las lengüetas de retención con las ranuras de retención, empuje el panel posterior de la consola dentro de la consola hasta que encaje en su lugar.
3. Utilice una llave de cubo de 7 mm para volver a instalar el tornillo en la parte inferior del portavasos.
4. Reemplace la alfombrilla de goma del portavasos.

9 Funcionamiento



¡ADVERTENCIA! PELIGRO DE INCENDIO O EXPLOSIÓN

- Esta nevera **debe** instalarse y ubicarse correctamente de acuerdo con estas instrucciones antes de usarse.
- **No** almacene gasolina ni otros líquidos con vapores inflamables en esta nevera.
- **No** almacene sustancias explosivas, como latas de aerosol con un propulsor inflamable, en esta nevera.
- **No** utilice aparatos eléctricos dentro de los compartimentos de almacenamiento de alimentos de la nevera.



¡AVISO!

Evite derramar líquido en las ranuras de ventilación de la bandeja de cierre. De hacerlo, se podrían producir daños en el ventilador de la nevera o el cableado eléctrico.

Esta sección proporciona instrucciones sobre el uso adecuado de la nevera.

9.1 Encendido de la nevera

Pulse la tecla ON/OFF. El indicador LED azul de la tecla se iluminará cuando la nevera esté encendida.

La nevera permanecerá encendida hasta que se apague manualmente. Si la nevera está encendida y el motor del vehículo está apagado:

- La nevera seguirá extrayendo energía de la batería hasta que la tensión caiga por debajo de 12,0 V. Si se alcanza este umbral, la nevera se apagará hasta que el motor vuelva a arrancar.
- La nevera volverá a un estado encendido cuando se reinicie el motor.

9.2 Apagado de la nevera

Pulse la tecla ON/OFF. El indicador LED azul del botón no estará iluminado cuando la nevera esté apagada.

La nevera permanecerá apagada hasta que se encienda manualmente. Si la nevera está apagada y el motor del vehículo está apagado, la unidad de nevera mantendrá el estado apagado.

9.3 Ajuste de la nevera

La temperatura de refrigeración se mantiene automáticamente y no es ajustable.

9.4 Apertura y cierre de la nevera

Abra y cierre la nevera levantando la tapa de la consola y luego levantando la tapa de la nevera.



Nota Asegúrese de que la tapa de la consola no interfiera con la tapa de la nevera al abrirla o cerrarla.



Nota La tapa de la nevera está diseñada para permanecer cerrada a menos que se mantenga abierta manualmente. Cuando la tapa de la nevera está abierta, un LED ilumina el interior.

9.5 Almacenamiento de productos refrigerados

Para un uso óptimo de la nevera, observe las siguientes instrucciones:

- Evite colocar artículos a 75 °F (24 °C) o más en la nevera. Para un uso óptimo, enfríe los artículos a 50 °F (10 °C) o menos antes de colocarlos dentro de la nevera.
- Nunca introduzca líquidos ni alimentos calientes en el interior.
- Nunca introduzca hielo ni líquidos no envasados en el interior.
- La cantidad total de artículos colocados en el interior no debe exceder su volumen de almacenamiento.
- Para mantener la temperatura constante, minimice la cantidad de tiempo que la tapa permanece abierta.

10 Mantenimiento



¡ADVERTENCIA! PELIGRO DE DESCARGA ELÉCTRICA, INCENDIO Y/O EXPLOSIÓN

- Apague siempre la nevera antes de limpiarla o someterla a mantenimiento.
- El mantenimiento y las reparaciones deben ser realizados únicamente por personal de servicio cualificado.
- No utilice aparatos mecánicos para descongelar la nevera.
- No perfore la tubería del refrigerante.
- Debe ser reparada únicamente por personal de servicio capacitado.

Las instrucciones de mantenimiento y limpieza proporcionadas en esta sección deben realizarse en los intervalos indicados, o según sea necesario, dependiendo del uso del aparato. Un mantenimiento inadecuado del aparato podría anular la garantía y ocasionar un funcionamiento peligroso. El mantenimiento preventivo no está cubierto por la garantía.

10.1 Limpieza de la nevera



¡AVISO! No utilice materiales de limpieza abrasivos ni productos químicos agresivos, ya que podría dañar la nevera.

Si la nevera se ensucia, límpiela con una esponja suave y húmeda o un paño de microfibra.

Si hay condensación o se acumula líquido en el interior, extráigalo con una esponja suave o un paño de microfibra.

10.2 Mantenimiento de la nevera cuando no está en uso

Para un cuidado óptimo de la nevera cuando no esté en uso, observe las siguientes instrucciones:

- Limpie y seque el interior de la nevera para evitar olores persistentes.
- Evite almacenar productos refrigerados en la nevera cuando no esté encendida.
- Evite guardar objetos afilados o artículos que no estén destinados para su refrigeración en la nevera.

11 Solución de problemas

Fallo	Posible causa	Propuesta de solución
Los productos refrigerados no están fríos.	La nevera no está encendida.	Confirmar que la nevera esté encendida. Véase Encendido de la nevera en la página 27.
	La nevera no recibe alimentación.	<ol style="list-style-type: none"> 1. Ubique e inspeccione el fusible del vehículo. Si el fusible está quemado, reemplácelo. 2. Ubicar e inspeccionar el fusible de la nevera. Si el fusible está quemado, reemplácelo.
	El ventilador no funciona.	<ol style="list-style-type: none"> 1. Ubique e inspeccione el fusible del vehículo. Si el fusible está quemado, reemplácelo. 2. Ubicar e inspeccionar el fusible de la nevera. Si el fusible está quemado, reemplácelo.
Hay condensación alrededor de la tapa de la unidad de nevera.	La tapa de la nevera no cierra correctamente.	Retire cualquier obstrucción alrededor de la tapa de la nevera y la tapa de la consola para permitir que ambas tapas se cierren por completo.
	La junta de la tapa está dañada.	Inspeccione y reemplace la tapa si la junta está dañada.
	Hay una falla en la unidad de control electrónico (ECU).	Póngase en contacto con un técnico de servicio calificado.
El ventilador hace ruido.	Está obstruido.	<ol style="list-style-type: none"> 1. Confirme que la nevera esté apagada. 2. Retire la nevera, inspeccione el ventilador y elimine todas las obstrucciones. 3. Si el problema no se resuelve, póngase en contacto con un técnico de servicio calificado.

Fallo	Posible causa	Propuesta de solución
Sale un olor desagradable del interior de la nevera.	Se han acumulado residuos dentro de la nevera.	Limpie el interior de la nevera. Véase Limpieza de la nevera en la página 28.

12 Información de la garantía

Consulte las siguientes secciones para obtener información sobre garantía y asistencia para garantía en EE.UU., Canadá y el resto de regiones.

12.1 Estados Unidos y Canadá

GARANTÍA LIMITADA DISPONIBLE EN DOMETIC.COM/EN-US/TERMS-AND-CONDITIONS-CONSUMER/WARRANTY.

SI TIENE PREGUNTAS O DESEA OBTENER UNA COPIA SIN COSTO DE LA GARANTÍA LIMITADA, CONTACTE CON:

DOMETIC CORPORATION
 CUSTOMER SUPPORT CENTER
 5155 VERDANT DRIVE
 ELKHART, INDIANA 46516
 1-800-544-4881

12.2 Todas las demás regiones

Se aplica el período de garantía estipulado por la ley. Si el producto presenta algún defecto, contacte con la sucursal del fabricante de su zona o con su distribuidor (consulte en la última página de las instrucciones las direcciones web para encontrar su región o distribuidor).

Para tramitar la reparación y la garantía, incluya los siguientes documentos cuando envíe el aparato:

- Una copia de la factura con fecha de compra
- El motivo de la reclamación o una descripción de la avería

13 Eliminación



Si es posible, deseche el material de embalaje en los contenedores de reciclaje adecuados. Consulte con un punto limpio o con un distribuidor especializado para obtener más información sobre cómo eliminar el producto de acuerdo con todas las normativas nacionales y locales vigentes.



dometic.com

YOUR LOCAL DEALER

dometic.com/dealer

YOUR LOCAL SUPPORT

dometic.com/contact

YOUR LOCAL SALES OFFICE

dometic.com/sales-offices
