

# KTX 4



*photo: chrome, straight cable*



## Functions and features:

### Functionality

The KTX4 has 5 temperature settings that range from 30°C to 60°C. An electronic sensor guarantees precise temperature control. The device displays the currently set temperature level and indicates the status of the heating cycle or standby state. The KTX 4 is designed for use with the Terma-Split heating element, giving the ability to disconnect the controller from the heating element (Terma Split). KTX 4 is also equipped with actual heating time counter for energy consumption calculations.

### Timer

An Enhanced Timer automatically turns the heater off after 1, 2, 3 or 4 hours.

### Remote Control

The heating element is capable of wireless IR communication with an external wall controller **DTIR** or **TTIR**, which enhances the use of the heating element with additional features.

### Intelligent Building Systems

In case of power loss the KTX4 remembers its settings making it suitable for connection with external timers and intelligent building systems.

### Safety

The KTX 4 is equipped with a 'frost' protection (ANTIFREEZE). It also has double protection against the element overheating as well as a safety feature that prevents damage in case of operation in a dry radiator. A device error or malfunction is identified by a display of error codes.

### Design

Equipped with an easy to read single digit LED display in blue. The device has a screw connection and a version with a power cable masking an additional on/off switch under the cable housing is available.

### Colour

Available colours: white, silver, chrome and black. Heating element can also be offered in any RAL colour and Terma special colours (including brass and gold) subject to a minimum order of 100 pcs per colour.

## Specifications:

Power supply:	230 V / 50 Hz
Heating element:	Terma Split I
Device protection class:	Class I
Radiator connection:	G 1/2"
Ingress protection [IP]:	IPx4: version with MS (screw terminals); IPx5: version with cable

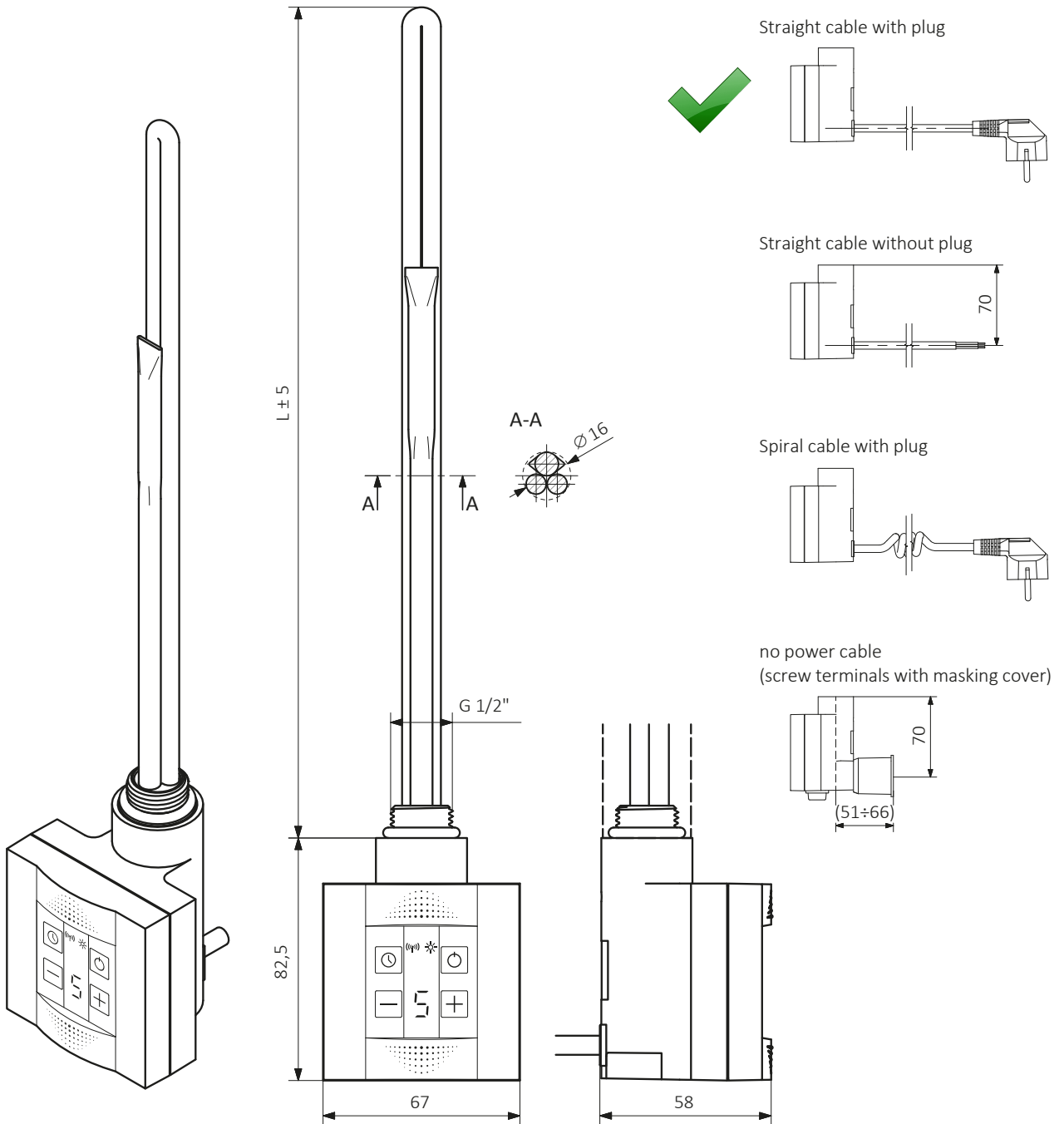
## Table configurations:

Example of product code: **WE**<sup>Element power code</sup>**KT4**<sup>Model code</sup>**04**<sup>Packaging code</sup>**T**<sup>Colour or finish code</sup>**SMA**<sup>Cable type and plug code</sup>**W**

Code elements highlighted in blue

Model	Power [W]	Packaging	Colour	Cable Type
<b>WE</b> <b>KT4</b> KTX 4	– controller only	<b>K</b> Box	<b>916</b> White	<b>W</b> Straight cable with plug
	<b>01</b> 120	<b>T</b> Tube	<b>SMA</b> Silver	<b>P</b> Straight cable without plug
	<b>02</b> 200		<b>CRO</b> Chrome	<b>U</b> Spiral cable with plug
	<b>03</b> 300		<b>905</b> Black	<b>S</b> no power cable
	<b>04</b> 400			(screw terminals with masking cover)
	<b>06</b> 600			
	<b>08</b> 800			
	<b>10</b> 1000			

# KTX 4



L [mm]	325	285	310	345	375	485	575
Power [w]	120	200	300	400	600	800	1000