

Raindance Select S
Overhead shower 240 2jet with shower arm
Surface: **Chrome** Article Number: **26466000**



Description

product features

- consists of: overhead shower, shower arm
- shower head size: 243 mm
- spray type: RainAir, Rain
- Select button on overhead shower
- ball-joint: overhead shower angle adjustable
- material spray disc: metal
- spray disc surface: chrome
- shower arm length 390 mm
- maximum flow rate at 3 bar: 17 l/min
- flow rate Rain spray (at 3 bar): 17 l/min
- flow rate RainAir spray (at 3 bar): 16 l/min
- function from: 9 l/min
- minimum flow pressure: 1 bar
- spray disc removable for cleaning
- installation: wall
- connection thread G ½
- connection dimension: DN15
- suitable for continuous flow water heaters

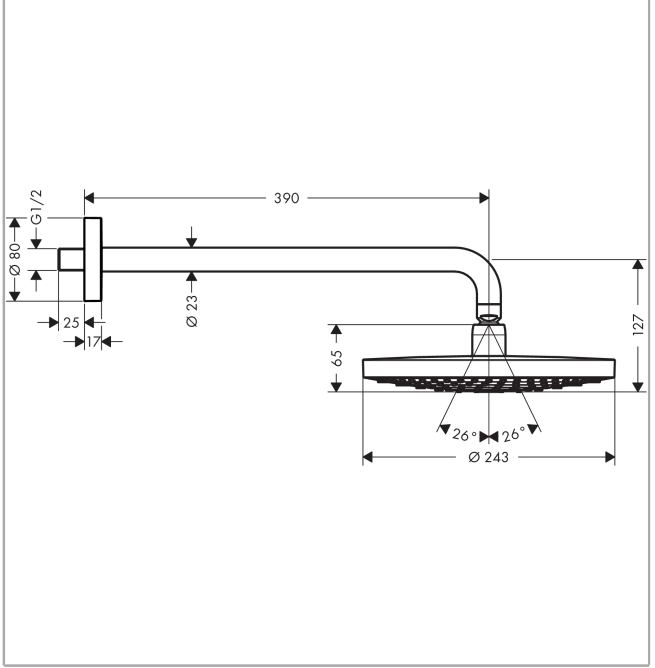
Technology



Product image



Scale drawing



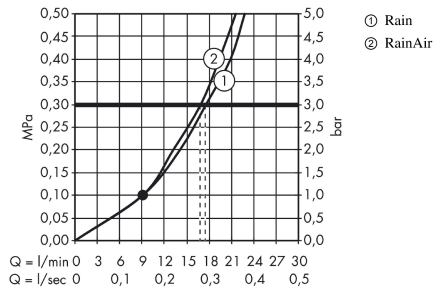
Raindance Select S

Overhead shower 240 2jet with shower arm

Surface: **Chrome** Article Number: **26466000**



Flowchart



The consumption was measured in combination with the appropriate fittings (thermostat/mixer/in-wall valve) to reflect actual application in practice.

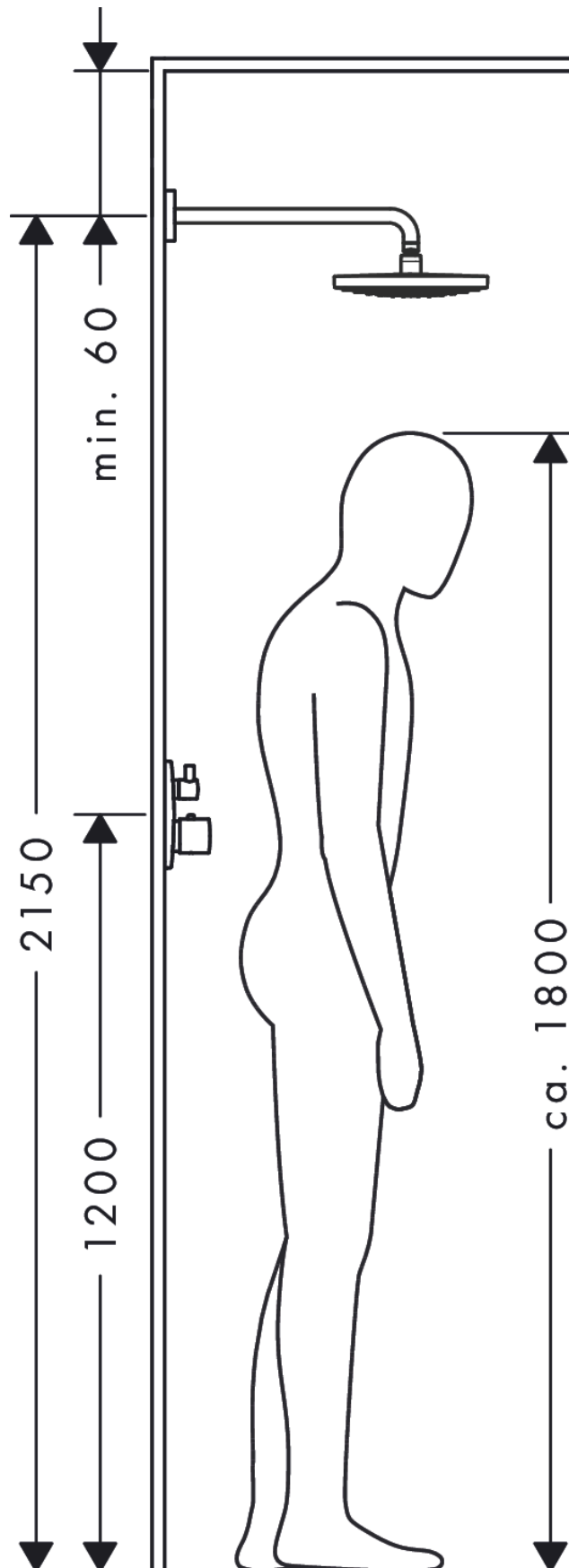
Raindance Select S

Overhead shower 240 2jet with shower arm

Surface: **Chrome** Article Number: **26466000**



Installation examples

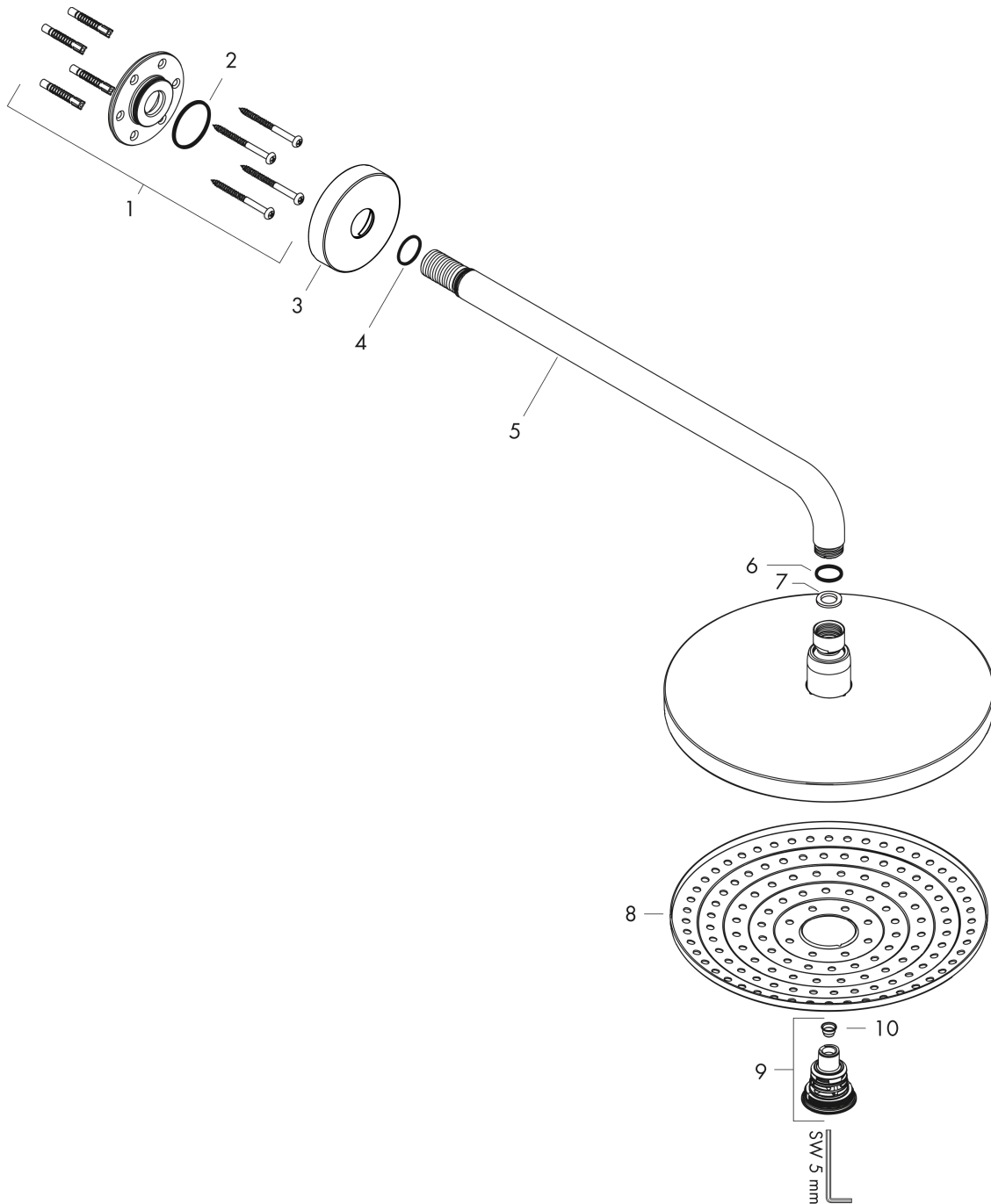


Raindance Select S
Overhead shower 240 2jet with shower arm
 Surface: **Chrome** Article Number: **26466000**



Exploded Drawing

Year of production: >02/18



Raindance Select S

Overhead shower 240 2jet with shower arm

Surface: **Chrome** Article Number: **26466000**



Spare part list

Year of production: >02/18

Pos.	Description	Article Number	Price	PU
1	mounting kit	95208000	€ 57,12	1
2	O-ring 34x2	98383000	€ 5,24	1
3	escutcheon Ø 80 mm	98940000	€ 22,37	1
4	O-ring 20x1,5	98197000	€ 3,21	1
5	shower arm	27446000	-	1
6	O-ring 16x2	98133000	€ 3,21	1
7	seal	98058000	€ 3,21	1
8	spray body	92291000	€ 162,08	1
9	selector assy	98343000	€ 70,57	1
10	filter	97735000	€ 3,21	1
a	shower arm 240 mm	27409000	-	1