



TECEprofil toilet module with Uni cistern, installation height 1120 mm

Article number: 9300302

DU 1: 1 pc.
DU 2: 10 pc.
DU 3: 60 pc.

Description:

Toilet module including "easy fit" flush plate installation. For fitting to TECEprofil section tubes or for installation in metal or wooden stud walls and as a pre-wall or corner module; also suitable for single block assembly.

Uni cistern for front actuation:

- Safety tank made of impact-resistant plastic, tested to EN 14055
- Cistern fully pre-assembled and sealed.
- Cistern connection with outer thread R 1/2" at the side, compatible with quick adapters
- 10 litre tank volume; 6 litre pre-set standard flush volume, 4.5/7.5/9-litre flush volume can be set at any time; 3-litre partial flush volume for dual-flush system; remaining volume can be used for immediate cleaning flush.
- Insulated against condensation water
- For TECE flush plates and toilet flush handle
- Can be used as a single or dual-flush cistern
- "easy fit" flush plate installation
- Low-noise hydraulic filling valve, fitting group 1 according to DIN 4109

Module frame:

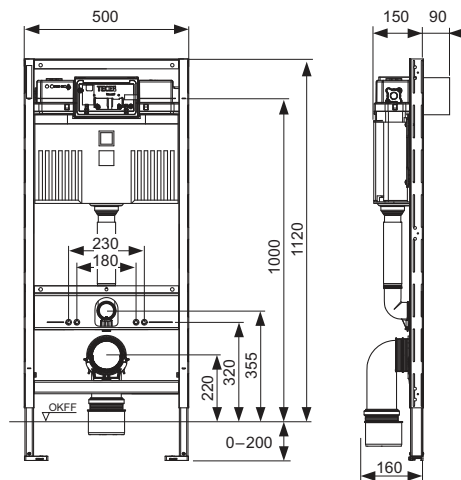
- Self-supporting, powder-coated
- Two M 12 retaining bolts and nuts
- Toilet drain bend DN 90 with joint adapter DN 90/100, made of PP
- Joint adapter also suitable for horizontal installation
- Toilet connection set DN 90

A raised ceramic attachment for a sitting height of 48 cm can be added in keeping with German standard DIN 18040 (DIN 18040: Barrier-free construction - Part 1: Publicly accessible buildings and workplaces).

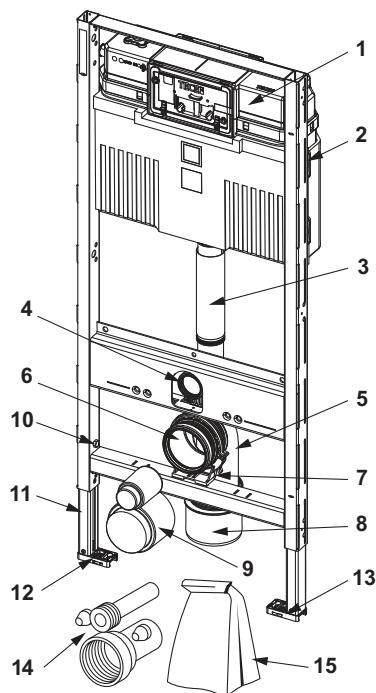
Sales data:

Product name: TECEprofil toilet module with Uni cistern, installation height 1120 mm
Commodity group: 905
Product group: 2009050010

Dimensional drawings:



Spare parts:



- | | | |
|----|---------|--|
| 1 | 9820103 | Uni cistern 1120 mm |
| 2 | 9820040 | Assembly kit for Uni cistern |
| 3 | 9820011 | Flush pipe with O-ring, length 269 mm, dry-wall construction |
| 4 | 9820015 | Flush pipe seal |
| 5 | 9820134 | Toilet drain bend DN 90 (PP) |
| 6 | 9820139 | Seal for toilet drain bend/adaptor |
| 7 | 9820348 | Toilet drain bend holder complete, underneath (from 04/2017) |
| 8 | 9820136 | Adapter DN 90/DN 100 (PP) |
| 9 | 9820312 | Bare wall toilet plug for flush pipe and drain bend |
| 10 | 9820447 | Foot brake with steel spring |
| 11 | 9820335 | C-section for module foot |
| 12 | 9820332 | Module foot with toggle left |
| 13 | 9820333 | Module foot with toggle right |
| 14 | 9820057 | Connection set DN 90 for toilet |
| 15 | 9820043 | By-pack for toilet module (mounting material, etc.) |