



**TECEbase toilet flush plate for dual-flush system**

Article number: 9240700

Colour: White

Exhibition samples: —

DU 1: 1 pc.

DU 2: 10 pc.

**Description:**

Flush plate for TECE cisterns, for front or top actuation. Plastic flush plate incl. actuating rods and mounting material. Compatible with insert chute for cleaning tablets.

Dimensions (W x H x D): 214 x 145 x 18 mm

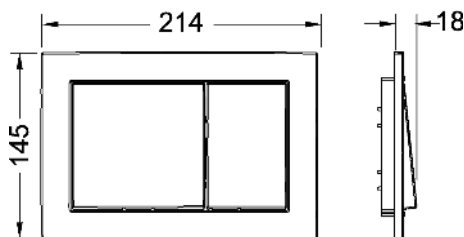
**Sales data:**

Product name: TECEbase toilet flush plate for dual-flush system

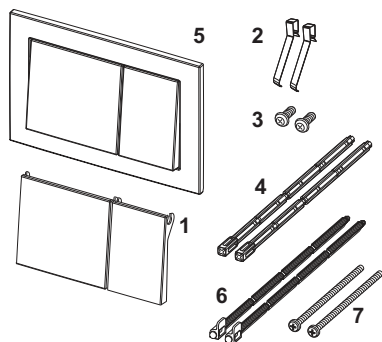
Commodity group: 904

Product group: 2009040080

**Dimensional drawings:**



**Spare parts:**



- |   |         |                                 |
|---|---------|---------------------------------|
| 1 | 9820241 | Button set, white               |
| 2 | 9820020 | Push-button springs, set of two |
| 3 | 9820263 | Fastening screws                |
| 4 | 9820022 | Actuation rods                  |
| 6 | 9820498 | “Easy fit” actuation rods       |
| 7 | 9820497 | “Easy fit” attachment screws    |