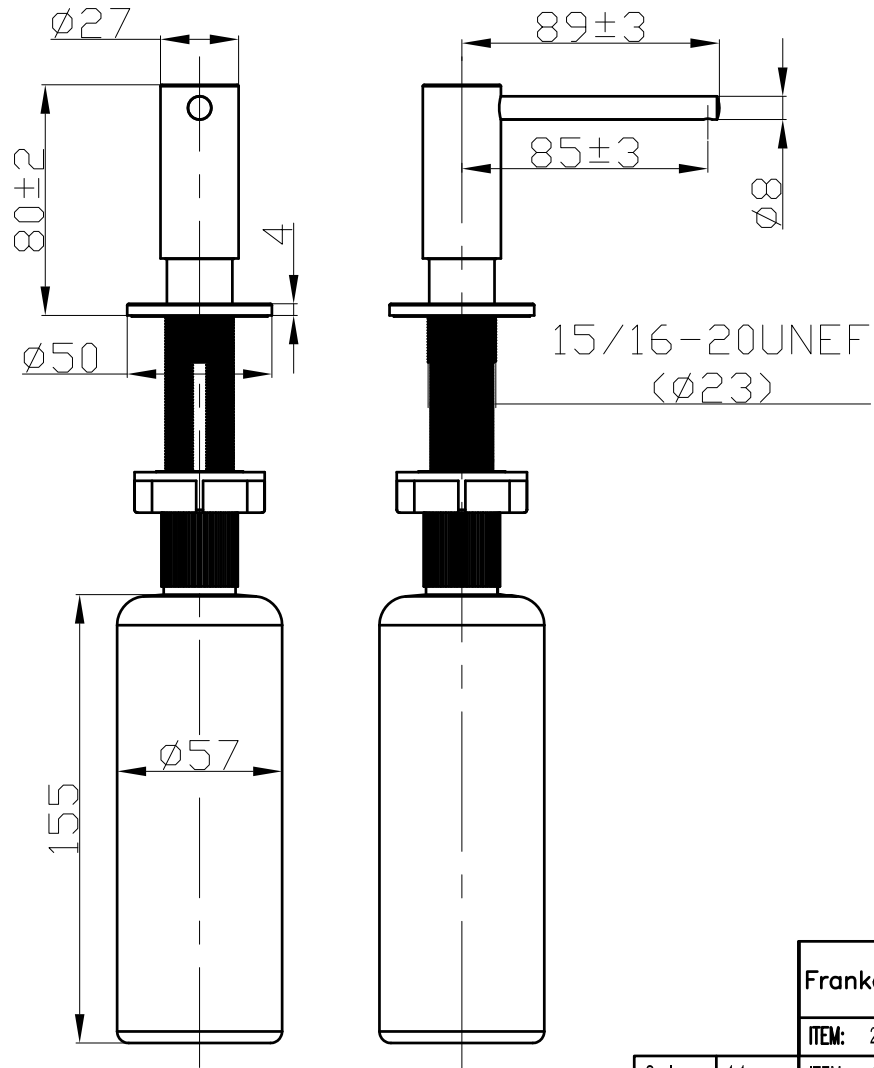


REVISIONS		
ZONE	DESCRIPTION	DATE
①		
②		



Frانke(china) Kitchen System Co.,Ltd.			
ITEM: 27808018-316		318 Yingliang Industrial Zone, Shaping Town Heshan City, Guangdong Province, China. Postal Code 529700	
ITEM: Soap Dipenser		Switchboard: +86-750-8419288 Internet: www.franke.com.cn	
Scale	1:1	SIZE: A4	DATE: 2020.06.05
Angle Tolerance	$\pm 0.5^\circ$	UNIT: mm	REV: A

Dimension	Undeclared Tolerance			
	≤ 5	$>5\sim 20$	$>20\sim 100$	>100
Tolerance Value	± 0.1	± 0.15	± 0.3	± 1.0

These drawings and specifications are the property of NIRO-Plan AG and shall not be reproduced, copied or transferred to any third party without the prior written permission of NIRO-Plan AG, Aarburg, Switzerland