

Product: **KLUDI shower arm 400 DN 15**

Ref.: **6651405-00**

Product description

shower arm DN 15
for headshower DN 15
projection 400 mm
with sliding cover plate Ø 55 mm

Finishes:
05 chrome

Advertisement

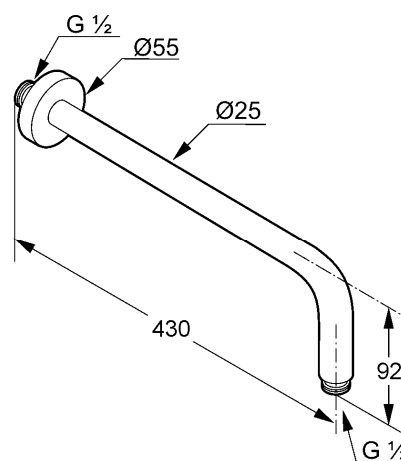
* KLUDI GmbH & Co KG KLUDI shower arm 400 item no. 6651405-00
** chrome plated brass, DIN EN 248 / DIN 50930-6

shower arm, manufacturer KLUDI GmbH & Co KG KLUDI shower arm 400 item no. 6651405-00, DN 15, chrome plated brass, rigid shower arm for headshowers with ball joint, diameter rosette Ø 55 mm, projection 430 mm, connection 1/2 inch male thread, PN 5,

Product picture



Dimensional drawing



Flow rate diagram

