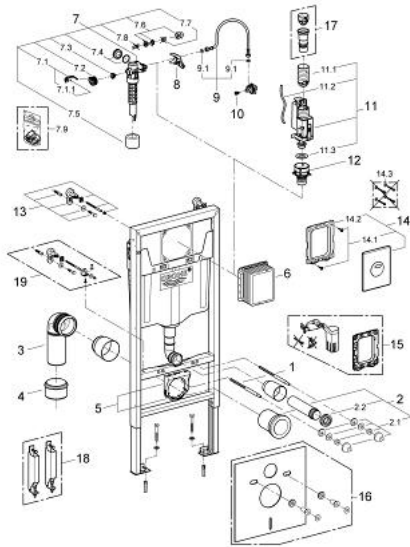


38 811 000 SOLIDO 3-IN-1 SET FOR WC, 1.13 M INSTALLATION HEIGHT



SPARE PARTS, June 2012 – now

- 1: Threaded bolt (Spare part-nr. 4276400M)
- 2: WC inlet and outlet connecting set (Spare part-nr. 37311K00)
- 2.1: Basin fastening (Spare part-nr. 43511SH0)
- 2.2: Connector (Spare part-nr. 37119000)
- 3: PP-outlet bend Ø 90 mm (Spare part-nr. 42327000)
- 4: 4" outlet adaptor for Rapid SL (Spare part-nr. 42242000)
- 5: Support for outlet bend (Spare part-nr. 42243000)
- 6: Inspection shaft (Spare part-nr. 66791000)
- 7: Filling valve (Spare part-nr. 37095000)
- 7.1: Lever (Spare part-nr. 43734000)
- 7.1.1: Sealing washer (Spare part-nr. 4377000M)
- 7.2: Valve head (Spare part-nr. 43536000)
- 7.3: Membrane (Spare part-nr. 4375800M)
- 7.4: Screw cap (Spare part-nr. 43735000)
- 7.5: Valve FLOAT, 5 pcs.. (Spare part-nr. 4379100M)
- 7.6: Set of seals (Spare part-nr. 43722000)*
- 8: Support device (Spare part-nr. 42246000)
- 9: Connecting hose (Spare part-nr. 42233000)
- 9.1: O-Ring (Spare part-nr. 0319100M)
- 10: Headpart (Spare part-nr. 42385000)
- 11: Dual Flush discharge valve AV1 (Spare part-nr. 42320000)
- 11.1: Extension for overflow pipe (Spare part-nr. 42313000)
- 11.2: Pneumatic hose (Spare part-nr. 42319000)
- 11.3: Sealing washer (Spare part-nr. 42310000)
- 12: Valve seat for GD2 (Spare part-nr. 42315000)
- 13: Front wall brackets (Spare part-nr. 3855800M)*
- 14: Flush plate (Spare part-nr. 38862000)*
- 15: Dual flush valve set (Spare part-nr. 38796000)*
- 16: Set for noise protection (Spare part-nr. 37131000)*
- 17: 4.5 l adapter for GD2 (Spare part-nr. 42333000)*
- 18: Accessory (Spare part-nr. 38779000)*
- 19: Xtra wall brackets, flexible placing (Spare part-nr. 38733000)*

* Optional accessories