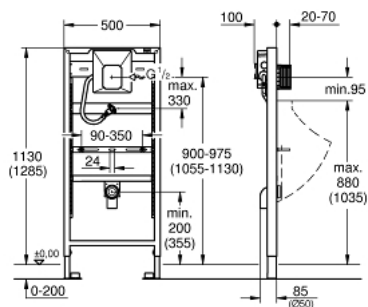


38 786 001 RAPID SL ELEMENT FOR URINAL WITH GROHE RAPIDO U



PRODUCT DESCRIPTION

- 1.13 and 1.30 m installation height
- for manual actuation or Tectroninfra-red electronic 6 V or 230 V
- for on-the-wall installations or studded walls
- height adjustable fitting connections
- HT-outlet bend Ø 50 mm
- fixing bolts M8, with fixing device for the ceramic
- inlet connection and inlet connecting set
- water group with stop valve
- flow pressure min 0.5 bar
- operating pressure max 10 bar
- flush aid
- functional unit checked ex factory
- water supply connections ½" outer thread
- connecting box for mains supply 230 V
- installation box with gasket
- inspection shaft incl. protection during construction phase
- for on-the-wall installation please order wall brackets 38 558 00M (sold separately)



38 786 001 **RAPID SL ELEMENT FOR URINAL WITH GROHE RAPIDO U**

SPARE PARTS, March 2011 – now

- 1: Elbow 2" (Spare part-nr. 42943000)
- 1.1: holder (Spare part-nr. 42236000)
- 2: hreaded bolt (Spare part-nr. 43078000)
- 3: Fastening set (Spare part-nr. 4307500M)
- 4: Transformer connecting box (Spare part-nr. 42279000)
- 5: Inspection shaft (Spare part-nr. 66838000)
- 6: Isolating valves, pair (Spare part-nr. 43392000)
- 7: Front wall brackets (Spare part-nr. 3855800M)*

* Optional accessories

