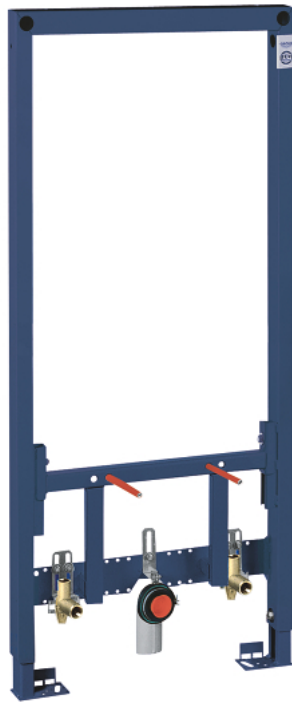
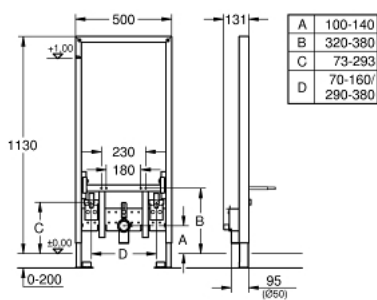


## 38 553 001 RAPID SL ELEMENT FOR BIDET, 1.13 M INSTALLATION HEIGHT



### PRODUCT DESCRIPTION

- vertical support for ceramics with small bearing area (<math>\leq 205\text{ mm}</math>)
- for on-the-wall installations or studded walls
- height adjustable fitting connections
- Includes: bidet fixing bolts
- HT-outlet bend  $\varnothing 50\text{ mm}$
- seal  $\varnothing 32\text{ mm}$
- 2 fitting connections DN 15
- fixing material for bidet
- for on-the-wall installation please order wall brackets 38 558 00M (sold separately)



## 38 553 001 **RAPID SL ELEMENT FOR BIDET, 1.13 M INSTALLATION HEIGHT**

**SPARE PARTS**, August 2014 – now

1: Threaded bolt (Spare part-nr. 4276400M)

2: Fitting connection (Spare part-nr. 42944000)

3: Front wall brackets (Spare part-nr. 3855800M)\*

\* Optional accessories

