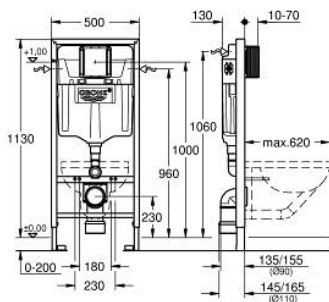


38 528 001 RAPID SL ELEMENT FOR WC, 1.13 M INSTALLATION HEIGHT

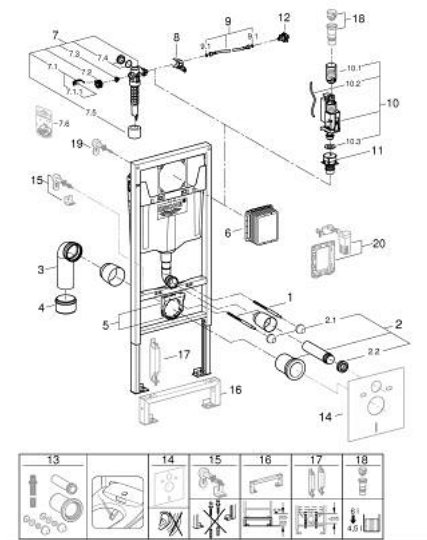


PRODUCT DESCRIPTION

- with flushing cistern GD 2 , 6 l - 9 l
- for on-the-wall installations or studded walls
- powder coated steel frame, self-supporting
- TÜV approved
- 2 WC fixing bolts
- fixing device for ceramic
- WC ceramics with small bearing area ($\leq 205\text{ mm}$) require additional accessory 38 779 000
- distance of fixing bolts 180/230 mm
- outlet bend $\varnothing 90\text{ mm}$
- depth adjustable
- reducer $\varnothing 90/110\text{ mm}$
- inlet and outlet connecting set
- flushing cistern GD 2, 6 - 9 l, containing following features:
 - water supply from left/right or back
 - Insulated against condensation
 - $\frac{1}{2}$ " water supply connection including integrated angle valve and push fit flexible hose union
- for on-the-wall installation please order wall brackets 38 558 00M (sold separately)
- for mounting of small flush plates please order revision shaft 40 911 000 (sold separately)



38 528 001 RAPID SL ELEMENT FOR WC, 1.13 M INSTALLATION HEIGHT



SPARE PARTS, September 2022 – now

- 1: Threaded bolt (Spare part-nr. 4276400M)
 - 2: WC inlet and outlet connecting set (Spare part-nr. 37311K00)
 - 2.1: Basin fastening (Spare part-nr. 43511SH0)
 - 2.2: Connector (Spare part-nr. 37119000)
 - 3: PP-outlet bend Ø 90 mm (Spare part-nr. 42327000)
 - 4: 4" outlet adaptor for Rapid SL (Spare part-nr. 42242000)
 - 5: Support for outlet bend (Spare part-nr. 42243000)
 - 6: Inspection shaft (Spare part-nr. 66791000)
 - 7: Filling valve (Spare part-nr. 37095000)
 - 7.1: Lever (Spare part-nr. 43734000)
 - 7.1.1: Sealing washer (Spare part-nr. 4377000M)
 - 7.2: Valve head (Spare part-nr. 43536000)
 - 7.3: Membrane (Spare part-nr. 4375800M)
 - 7.4: Screw cap (Spare part-nr. 43735000)
 - 7.5: Valve FLOAT, 5 pcs.. (Spare part-nr. 4379100M)
 - 7.6: Set of seals (Spare part-nr. 43722000)*
 - 8: Support device (Spare part-nr. 42246000)
 - 9: Connecting hose (Spare part-nr. 42233000)
 - 9.1: O-Ring (Spare part-nr. 0319100M)
 - 10: Dual Flush discharge valve AV1 (Spare part-nr. 42320000)
 - 10.1: Extension for overflow pipe (Spare part-nr. 42313000)
 - 10.2: Pneumatic hose (Spare part-nr. 42319000)
 - 10.3: Sealing washer (Spare part-nr. 42310000)
 - 11: Valve seat for GD2 (Spare part-nr. 42315000)
 - 12: Water Connection (Spare part-nr. 48561000)
 - 13: Retrofit kit for shower toilets Sensia Arena and IGS (Spare part-nr. 4089900)
 - 14: Set for noise protection (Spare part-nr. 37131000)*
 - 15: Xtra wall brackets, flexible placing (Spare part-nr. 38733000)*
 - 16: Flush pipe extension (Spare part-nr. 38629000)*
 - 17: Accessory (Spare part-nr. 38779000)*
 - 18: 4.5 l adapter for GD2 (Spare part-nr. 42333000)*
 - 19: Front wall brackets (Spare part-nr. 3855800M)*
 - 20: Rapid SL connection set for shower WC (Spare part-nr. 38925000)*
 - 21: Dual flush valve set (Spare part-nr. 38796000)*
- * Optional accessories