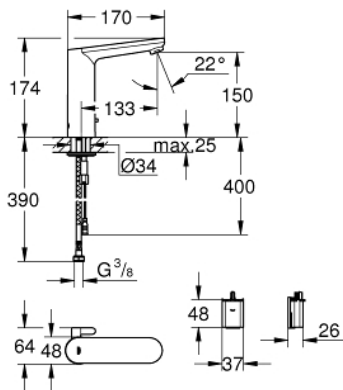
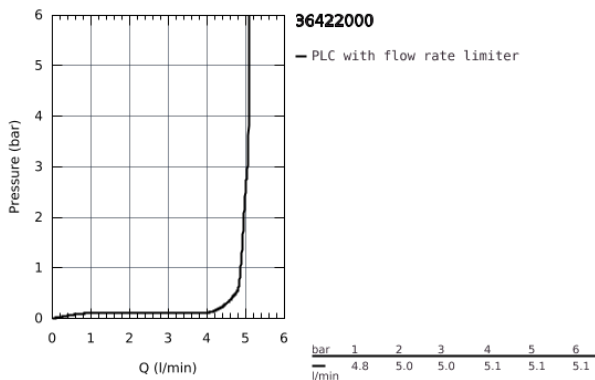


36 422 000 **EUROSMART COSMOPOLITAN E INFRA-RED ELECTRONIC BASIN MIXER 1/2" L-SIZE WITH MIXING DEVICE AND ADJUSTABLE TEMPERATURE LIMITER**

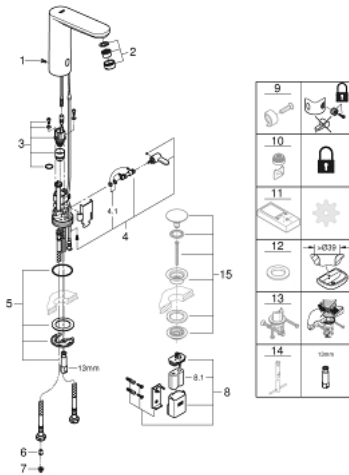


**PRODUCT DESCRIPTION**

- Colour: Chrome
- with infrared sensor for bi-directional communication for monitoring, configuration and servicing
- 6V lithium battery, type CR-P2
- battery lifetime approx. 7 years (150 actuations a day)
- GROHE Long-Life Shine finish
- GROHE Water Saving mousseur 5.7 l/min
- flexible connection hoses
- non-return valve
- dirt strainers
- with integrated solenoid valve
- external battery
- rapid installation system
- multistage battery status display
- 7 pre-set programs
- auto flush
- thermal disinfection
- cleaning mode
- additional functions and precise settings by remote control 36 407
- CE approved
- noise classification 1 in accordance with DIN4109
- type of protection faucet IP 59K



## 36 422 000 EUROSMART COSMOPOLITAN E INFRA-RED ELECTRONIC BASIN MIXER 1/2" L-SIZE WITH MIXING DEVICE AND ADJUSTABLE TEMPERATURE LIMITER



### SPARE PARTS, March 2021 – now

- 1: Screw (Spare part-nr. 4283100M)
  - 2: Flow restrictor (Spare part-nr. 48159000)
  - 3: Solenoid valve (Spare part-nr. 42479000)
  - 4: Mixing lever (Spare part-nr. 42401000)
  - 4.1: O-Ring (Spare part-nr. 4284000M)
  - 5: Mounting set (Spare part-nr. 42400000)
  - 6: Non-return valve (Spare part-nr. 4257200M)
  - 7: Filter (Spare part-nr. 4241300M)
  - 8: Battery Housing (Spare part-nr. 42393000)
  - 8.1: Battery (Spare part-nr. 42886000)
  - 9: Security cover cap (Spare part-nr. 42408000)\*
  - 10: Flow restrictor (Spare part-nr. 36133000)\*
  - 11: Remote control (Spare part-nr. 36407001)\*
  - 12: Escutcheon (Spare part-nr. 36370000)\*
  - 13: Rotation lock (Spare part-nr. 36276000)\*
  - 14: Mounting wrench (Spare part-nr. 19017000)\*
  - 15: Waste set with push-open plug (Spare part-nr. 65807000)\*
- \* Optional accessories