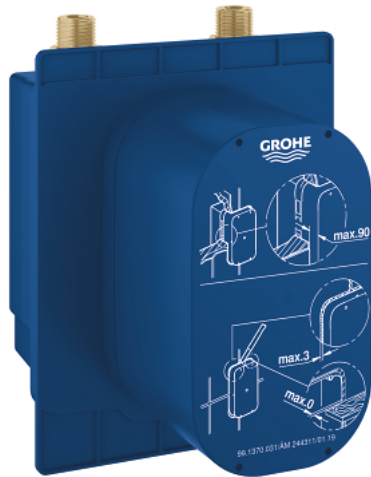
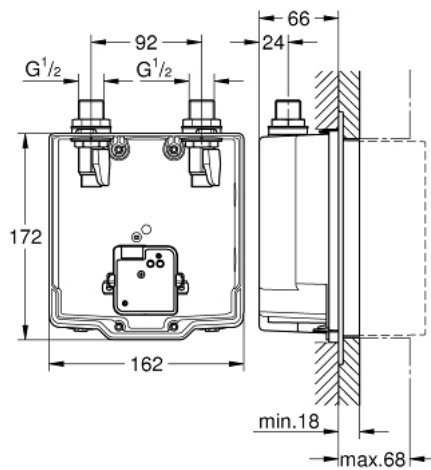


36 339 001 EUROSMART COSMOPOLITAN E CONCEALED MOUNTING BOX



PRODUCT DESCRIPTION

- with mixture
- wall installation
- suitable for IR-sets for final installation
- 2 stop valves
- housing with mixing device
- non-return valve
- connection housing for power supply
- suitable for
- 36 315 000, 36 412 000, 36 376 000
- allows for waterproofing of wall construction surrounding the concealed body
- with sealing sleeve



36 339 001 EUROSMART COSMOPOLITAN E CONCEALED MOUNTING BOX

SPARE PARTS, March 2019 – now

1: Switching power supply (Spare part-nr. 42470000)

