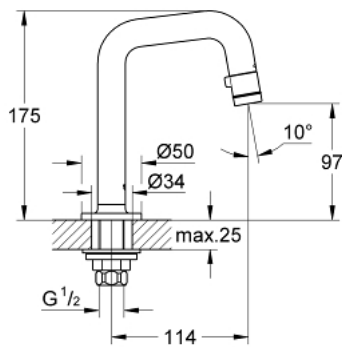


20 202 000 UNIVERSAL PILLAR TAP 1/2"

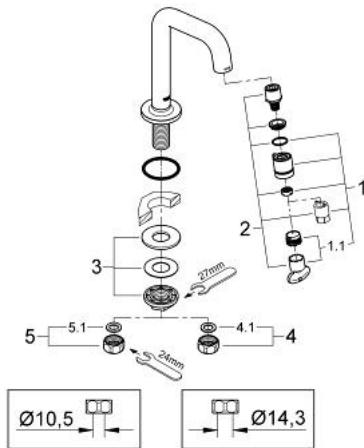


PRODUCT DESCRIPTION

- Colour: chrome
- 7°-spout
- flow rate: 6 l/min at 3 bar flow pressure
- flow-stop mousseur
- ceramic disk headpart
- union nut 1/2"
- with 10.5 mm drilling
- GROHE Long-Life finish
- projection 114 mm



20 202 000 UNIVERSAL PILLAR TAP 1/2"



SPARE PARTS, januar 2010 – now

1: Handle (Spare part-nr. 48041000)

1.1: Mousseur (Spare part-nr. 13998000)

2: Headpart (Spare part-nr. 48042000)

3: Shank mounting kit (Spare part-nr. 45004000)

4: Coupling nut 1/2" x 14.5 mm (Spare part-nr. 1290200M)

4.1: Fibre seal Ø 18,5 x Ø 12 x 2 (Spare part-nr. 0138900M)

5: Coupling nut 1/2" (Spare part-nr. 1290100M)

5.1: Fibre seal Ø 18,5 x Ø 12 x 2 (Spare part-nr. 0138900M)