

Product information sheet LANORA

Item no. 523122

Benefits



- High-quality design in solid stainless steel, brushed finish
- Clear mixer tap design for modern kitchens
- High arched outlet for easy filling of pots and vases
- More freedom of movement with installations against a wall thanks to the control lever with vertical neutral position
- Energy-saving: basic setting of the control lever to cold start
- Also available with handspray

Colours



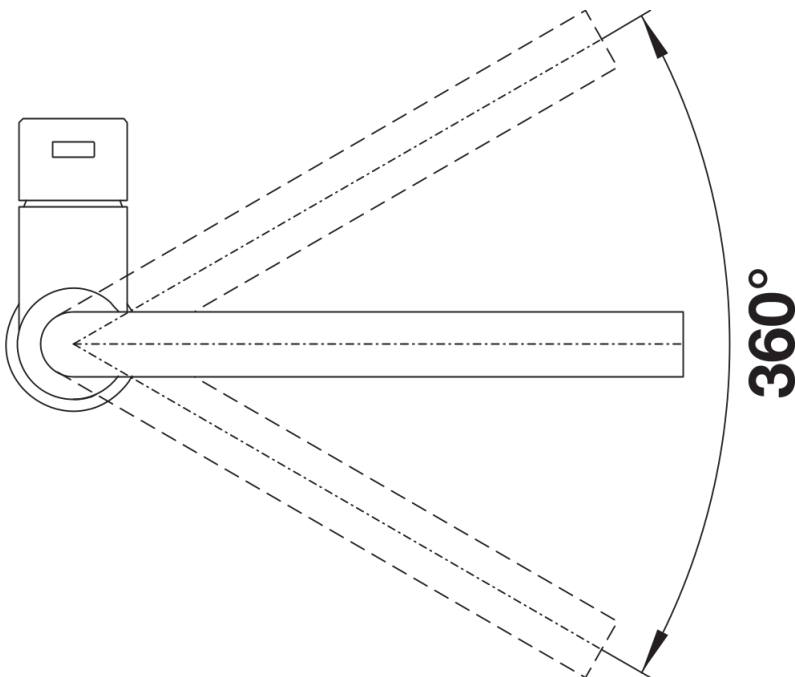
Available colours:
stainless steel

solid stainless steel

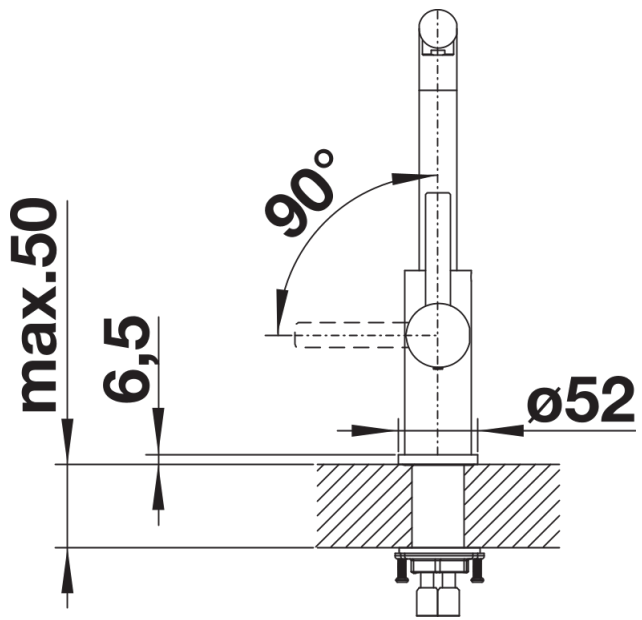
Scope of supply

- 360° swivel spout for greater reach
- Ø 35 mm tap hole required
- With ceramic disk cartridge
- Flexible connector pipes, 450 mm long and $\frac{3}{8}$ " nut for particularly easy and safe installation
- Patented jet regulator for markedly reduced scaling
- Stabilisation plate to increase the stability of the tap when fitted in stainless steel sinks
- LGA approved
- DVGW approved

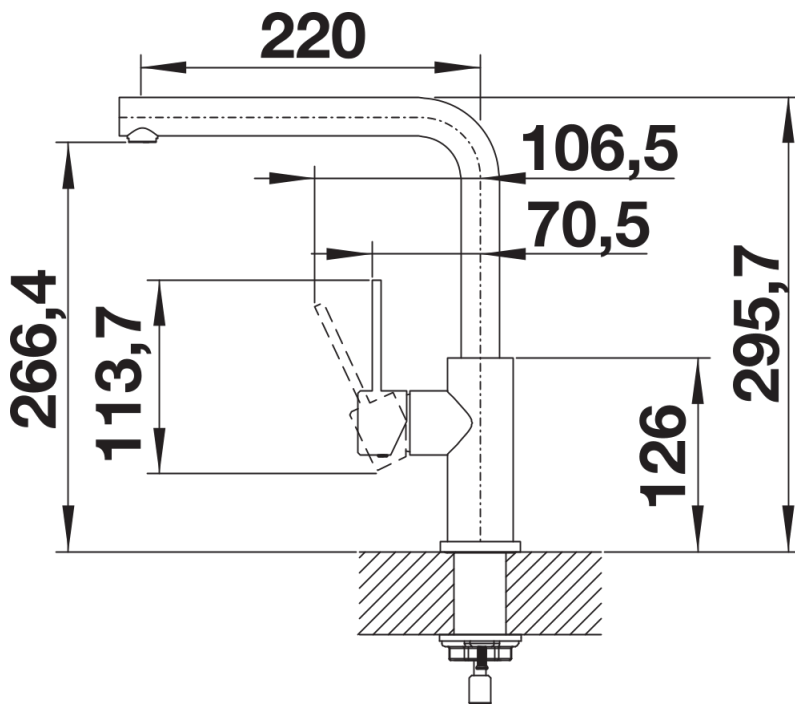
Details



Swivel range



Side view hand gear 2D



Side view