

## Product information sheet MIDA-S

Item no. 521455

### Benefits

---



- Gently rounded spout on a slender body
- For the easy filling of tall pots and vases
- Especially suitable for compact sinks
- Enlarged working radius thanks to the 360° swivel spout
- Pull-down spray hose for added reach
- Silgranit-look colour version matching the Silgranit sinks and bowls

### Colours

---



Available colours:

- black
- anthracite
- volcano grey
- alu metallic
- white
- soft white
- coffee

SILGRANIT-Look anthracite

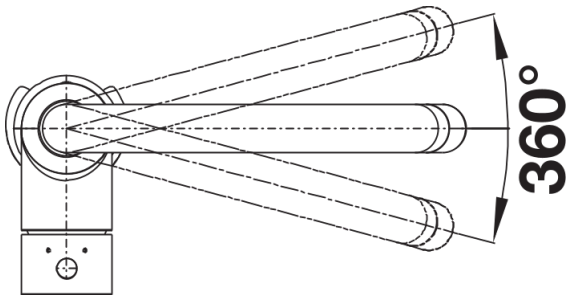
## Scope of supply

---

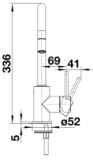
- 360° swivel spout for greater reach
- Ø 35 mm tap hole required
- With ceramic disk cartridge
- Flexible connector pipes, 350 mm long and  $\frac{3}{8}$ " nut for particularly easy installation
- Nylon-sheathed spray hose
- Patented jet regulator for markedly reduced scaling
- Stabilisation plate to increase the stability of the tap when fitted in stainless steel sinks
- With non-return valve and thus guaranteed against reflux in accordance with EN 1717
- LGA approved
- DVGW approved

## Details

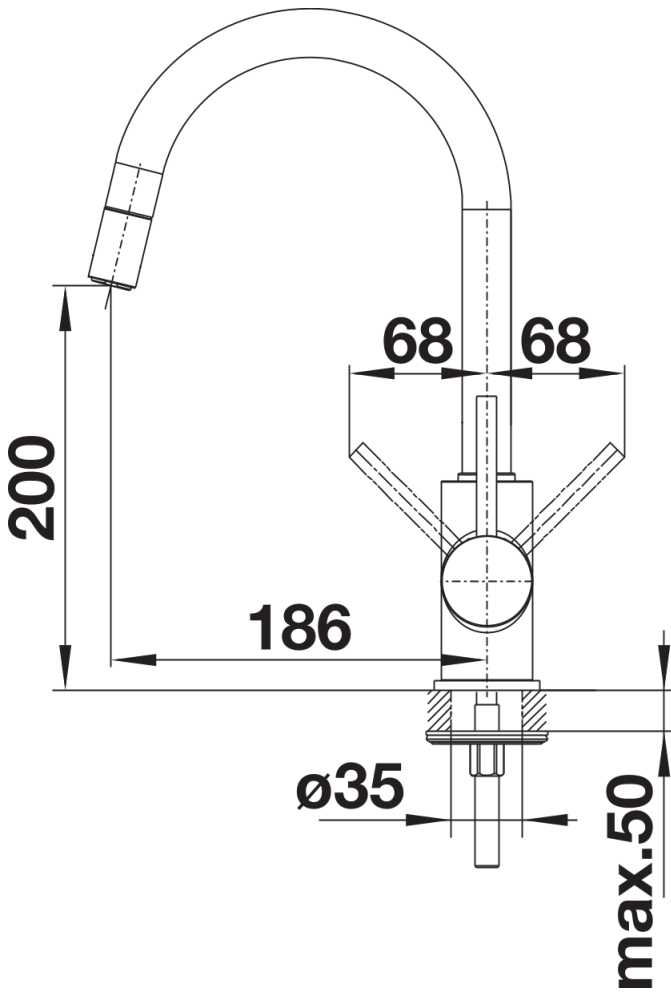
---



Swivel range



Side view hand gear 2D



Side view

