

Product information sheet ZIA 9 E

Item no. 514764

Benefits



- Modern design with clear lines
- Symmetrical setup with balanced proportions
- Very spacious, centred bowl with small corner radiuses
- Compact drainer and recessed draining area
- Suitable for corner and line designs

Colours



Available colours:

- black
- anthracite
- volcano grey
- alu metallic
- white
- soft white
- coffee

SILGRANIT anthracite

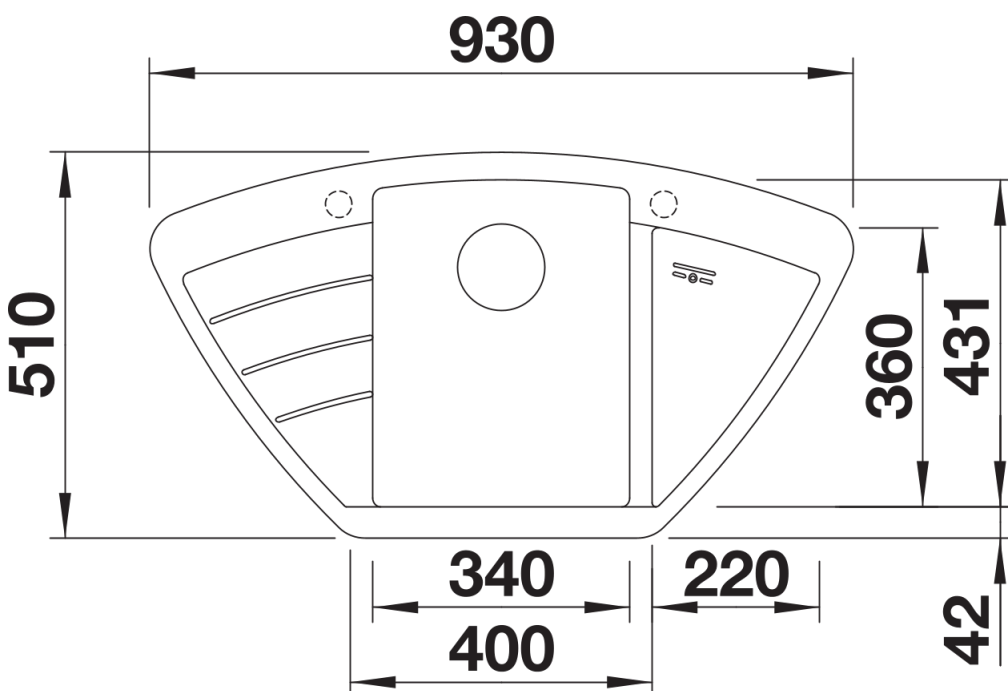
Planning information

- Cut-out by template.

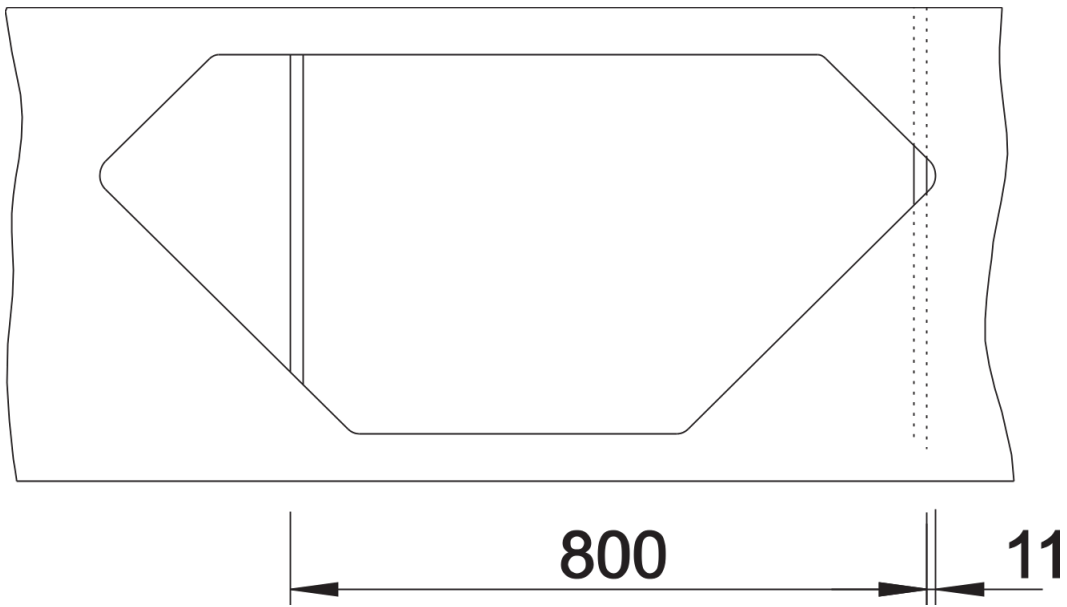
Scope of supply

- waste kit with space-saving pipe
- 3 ½" basket strainer

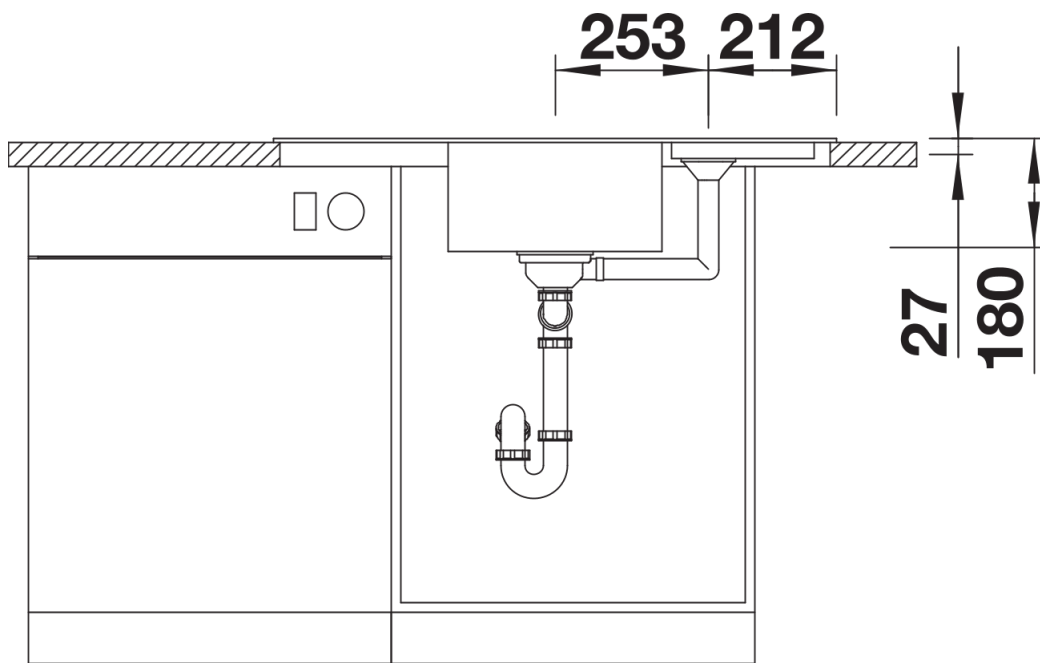
Details



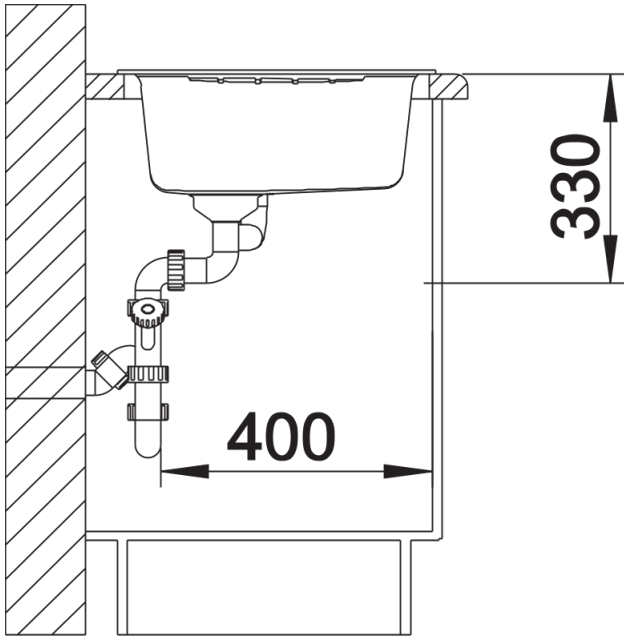
Top view



Cut-out



Front view



Side view