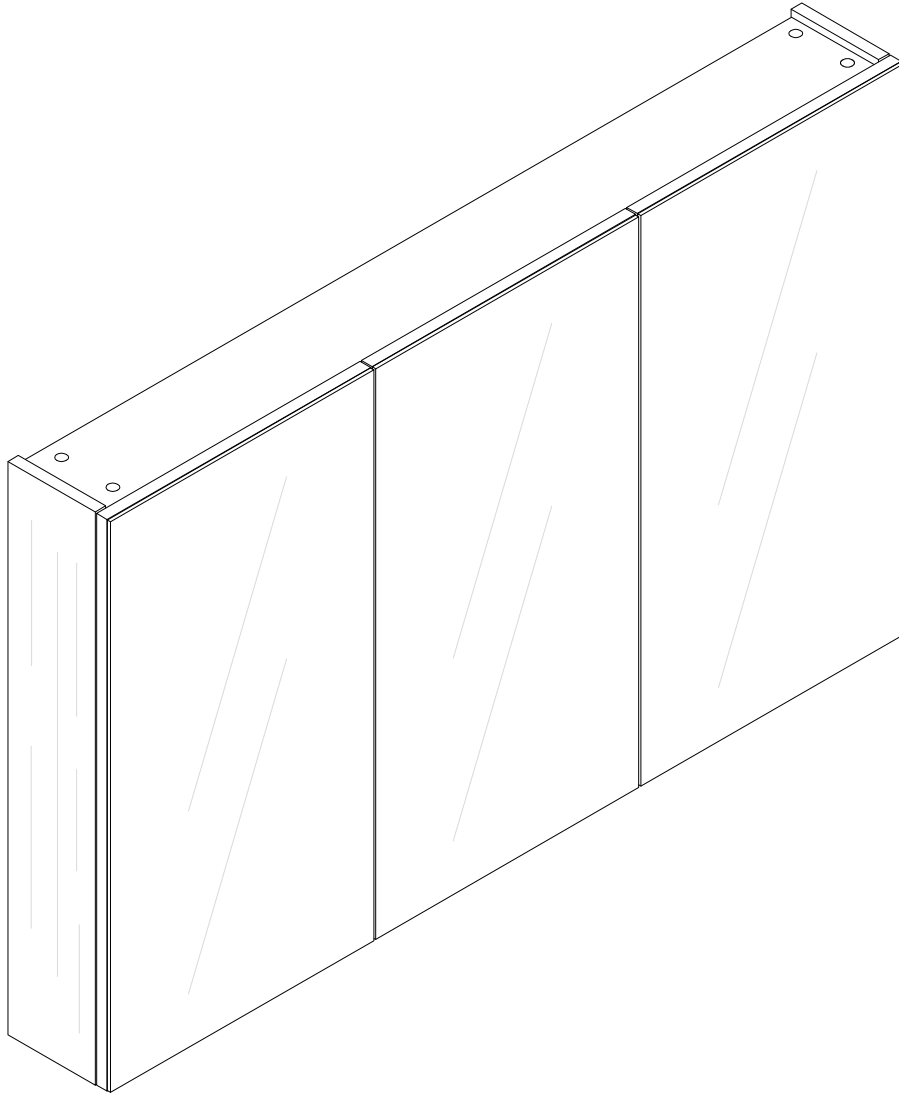
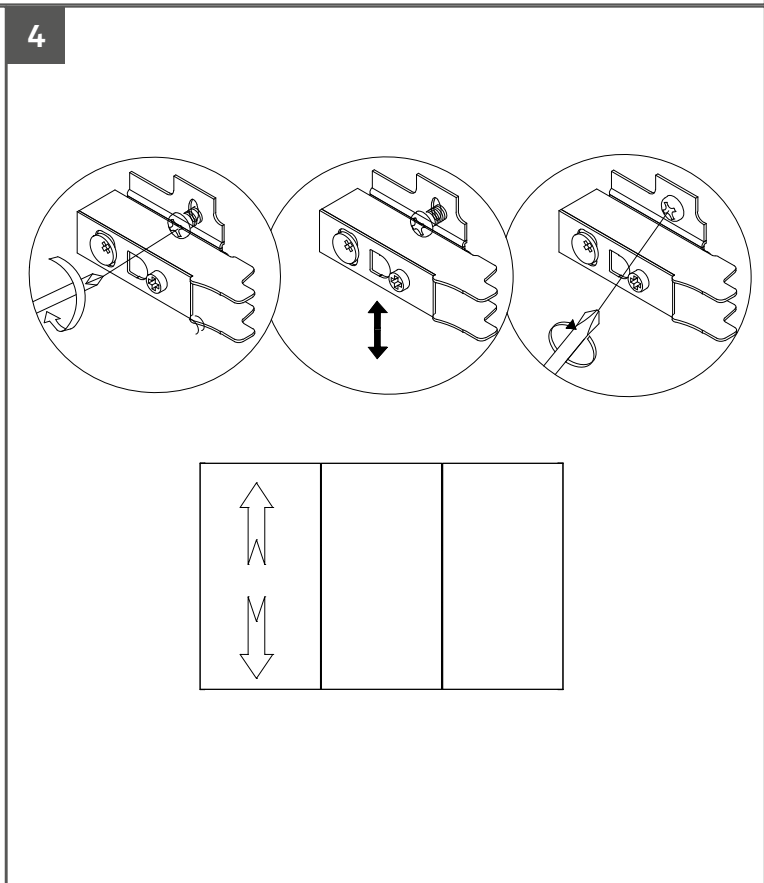
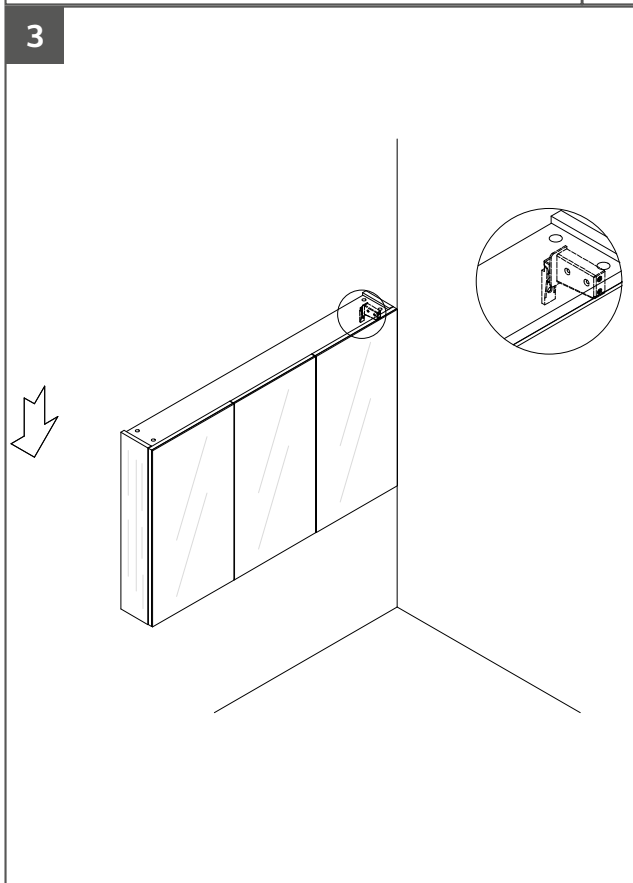
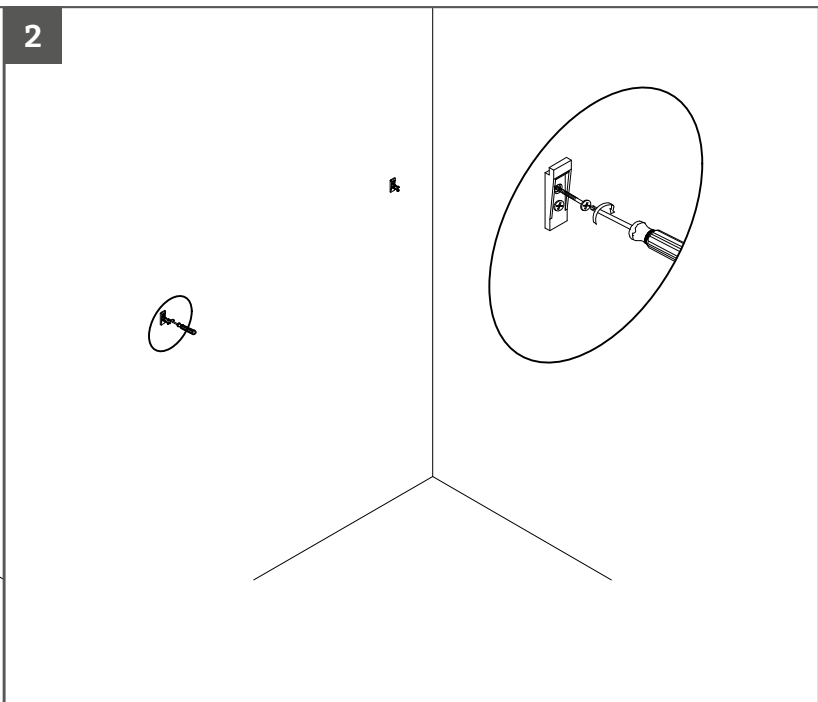
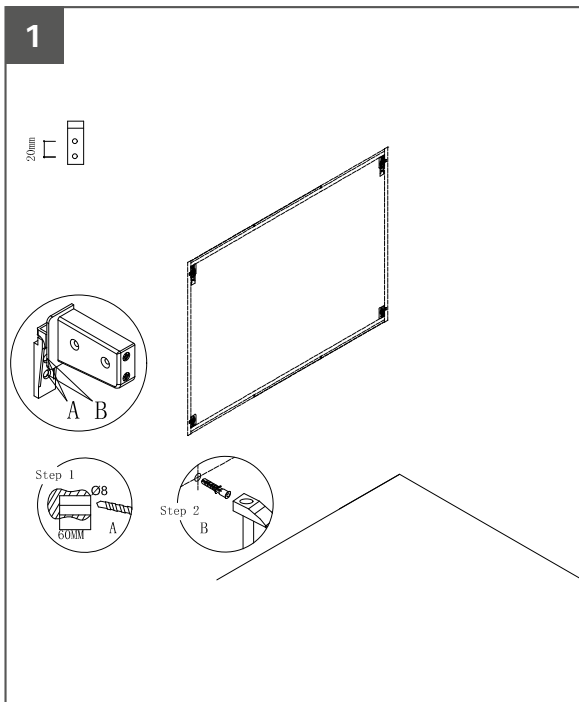
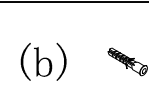
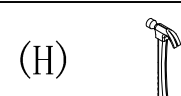
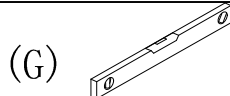
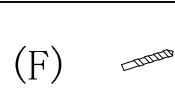
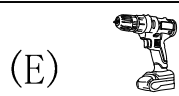
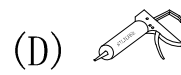
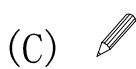




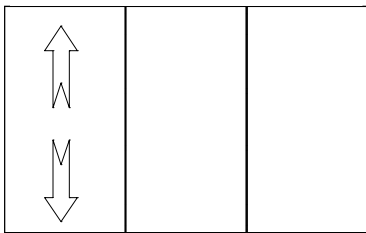
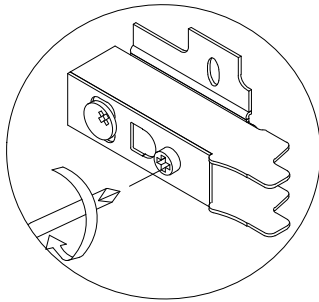
SAT

BWAY60CABW
BWAY60CABOAK
BWAY80CABW
BWAY80CABOAK

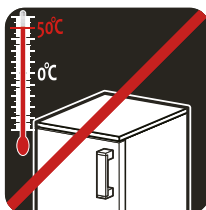
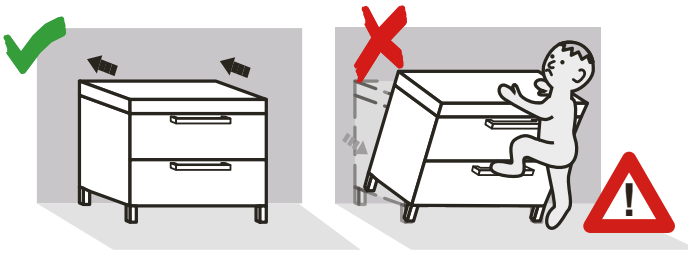
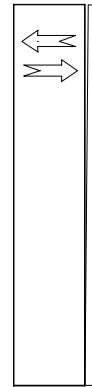
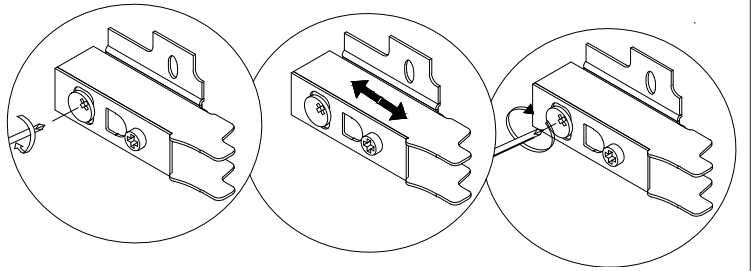




5



6



SAT® is registered trademark of



**Swiss
Aqua
Technologies**

Swiss Aqua Technologies AG
Gewerbstrasse 9, 6330 Cham, Switzerland
www.swatec.ch
Imported by SIKO KOUPELNY a.s.
Made in P.R.C.