

Tecturis E
Single lever shower mixer for exposed installation
 Finish: **Chrome** Article Number: **73620000**



Description

product features

- 1 function
- centre distance: 150 ± 12 mm
- maximum flow rate at 3 bar: 14,9 l/min
- ceramic cartridge
- temperature limitation adjustable
- non-return valve
- with silencer
- suitable for continuous flow water heaters
- hose connection DN15
- connection dimension: DN15
- min. operating pressure: 1 bar
- max. operating pressure: 10 bar
- connection type: s-shaped connections

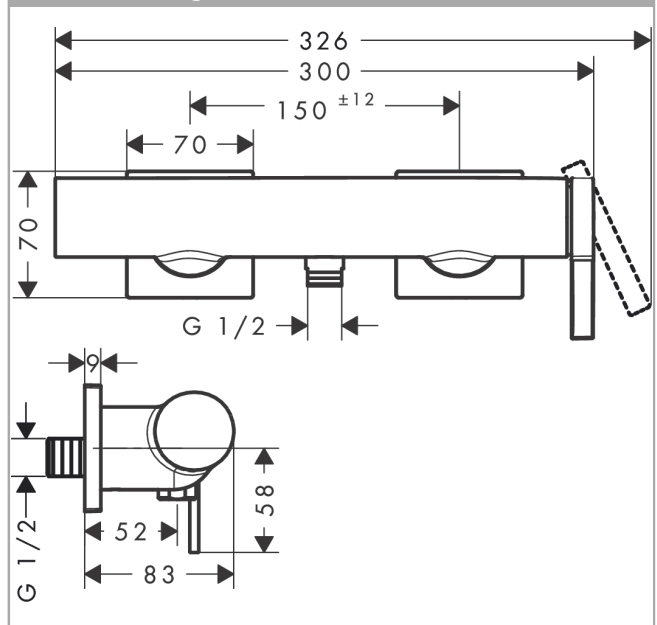
Design awards



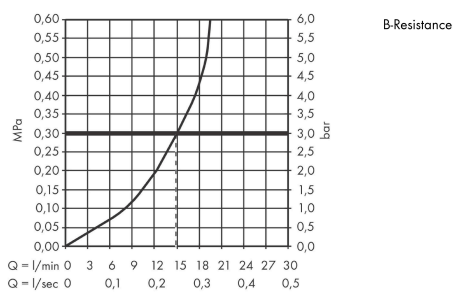
Product image



Scale drawing



Flowchart

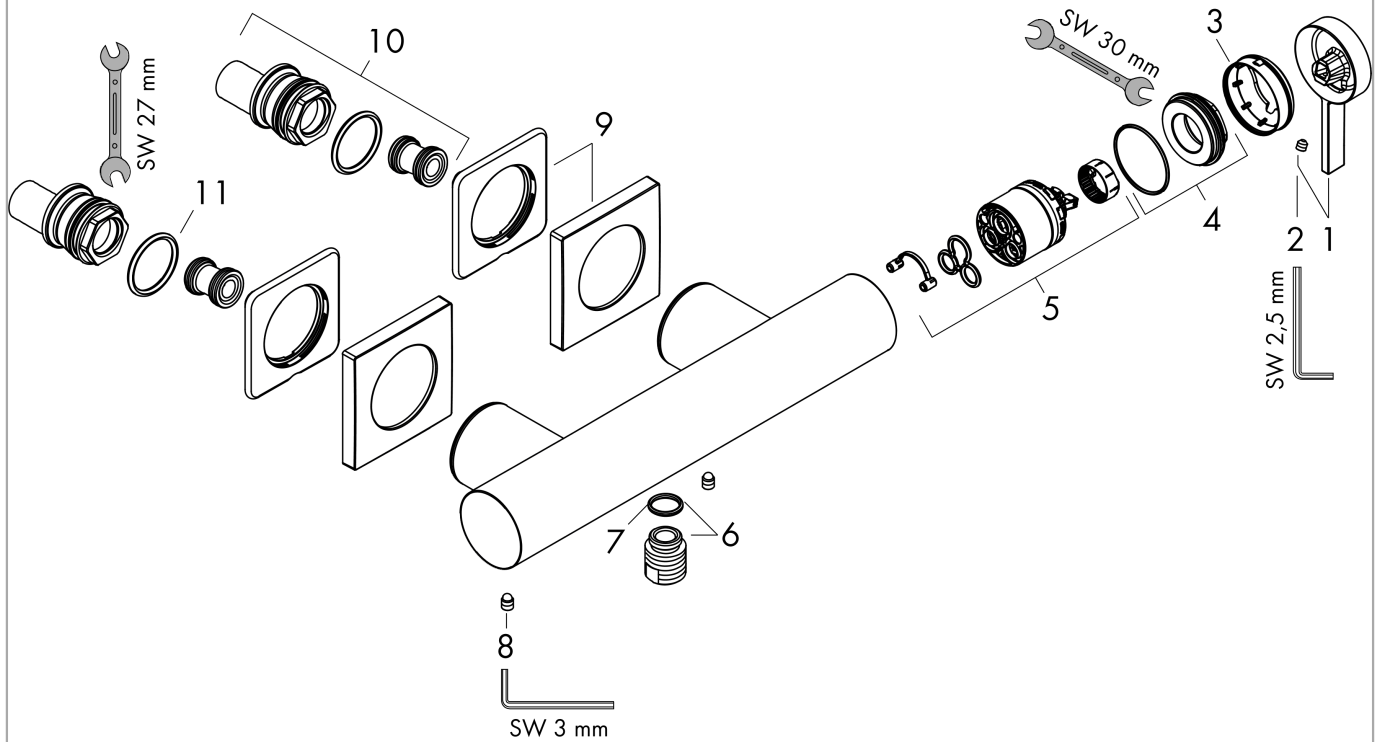


Tectoris E
Single lever shower mixer for exposed installation
 Finish: **Chrome** Article Number: **73620000**



Exploded Drawing

Year of production: >06/23



Tecturis E
Single lever shower mixer for exposed installation
 Finish: **Chrome** Article Number: **73620000**



Spare part list

Year of production: >06/23

| Pos. | Description | Article Number | PC | PU |
|------|-----------------------|----------------|----|----|
| 1 | handle | 87115000 | 10 | 1 |
| 2 | hollow set screw M5x5 | 98446000 | 1 | 1 |
| 3 | flange | 94370000 | 9 | 1 |
| 4 | nut | 93995000 | 7 | 1 |
| 5 | cartridge, assy | 93895000 | 12 | 1 |
| 6 | aerator cpl. | 87118000 | 9 | 1 |
| 7 | Hose Connection | 96044000 | 5 | 1 |
| 8 | O-ring 14x2 | 98129000 | 1 | 1 |
| 9 | screw | 94366000 | 3 | 1 |
| 10 | escutcheon | 87116000 | 7 | 1 |
| 11 | O-ring 29x3 | 98371000 | 2 | 1 |