

Tecturis E

Single lever basin mixer 110 Fine CoolStart EcoSmart+ with push-open waste set

Finish: **Chrome** Article Number: **73020000**



Description

product features

- consists of: single lever basin mixer, waste set
- ComfortZone: 110
- projection: 155 mm
- spout height: 133 mm
- handle variant: lever handle
- spray type: WaterfallStream
- maximum flow rate at 3 bar: 4 l/min
- ceramic cartridge
- suitable for continuous flow water heaters
- push-open waste set G 1¼
- material waste set: metal
- connection type: G ¾ connections
- connection dimension: DN15
- cold water in basic handle position
- EU taxonomy: max. 6 l/min - Substantial Contribution (SC) possible

Technology



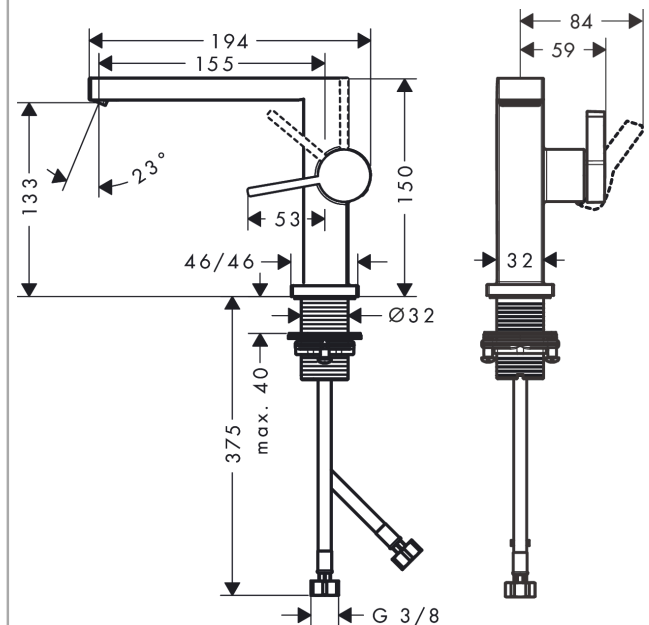
Design awards



Product image



Scale drawing



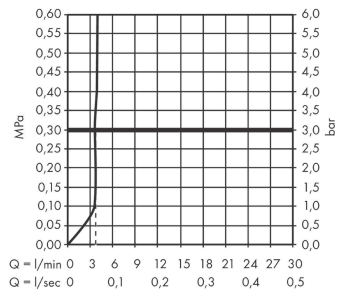
Tecturis E

Single lever basin mixer 110 Fine CoolStart EcoSmart+ with push-open waste set

Finish: **Chrome** Article Number: **73020000**



Flowchart



Tecturis E

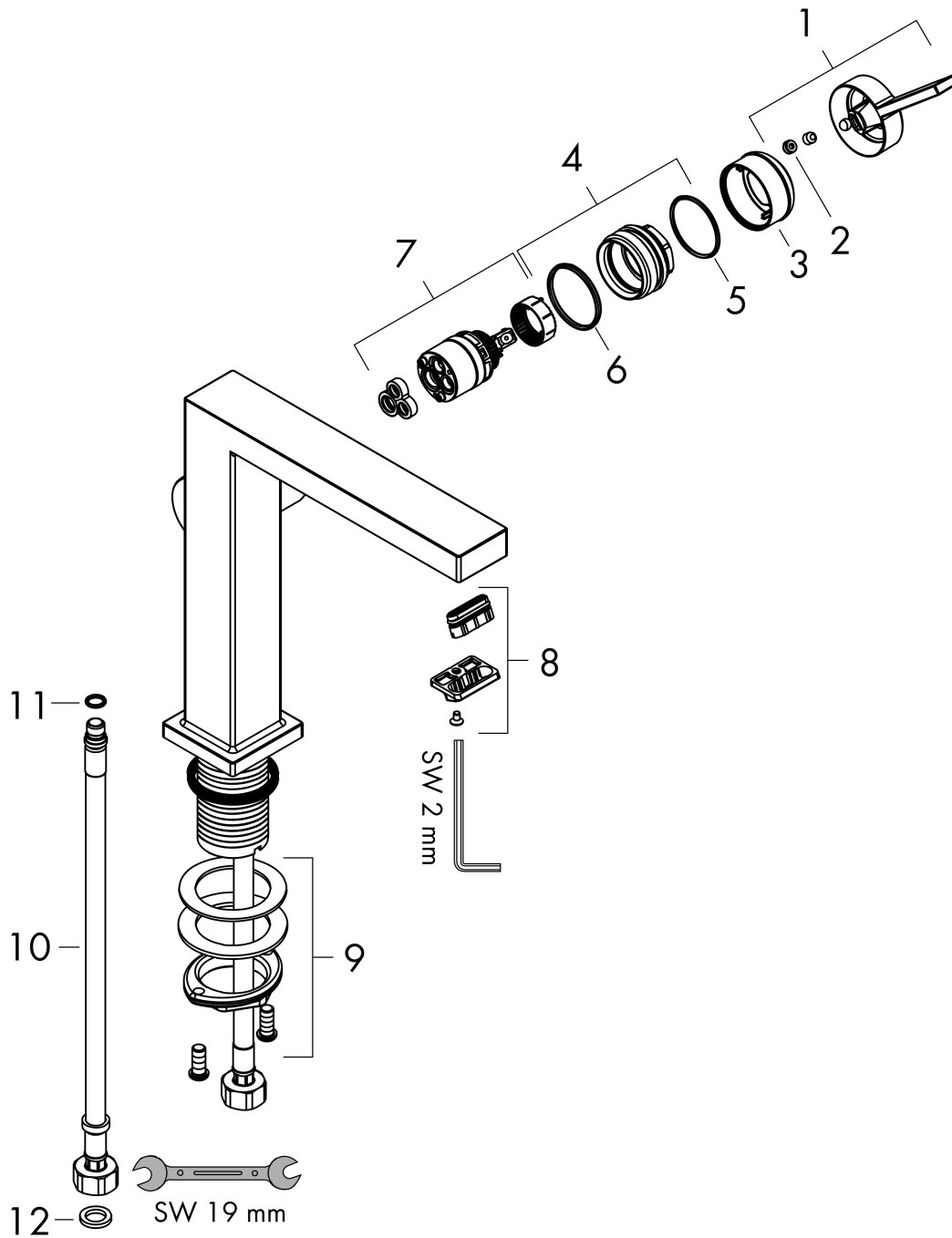
Single lever basin mixer 110 Fine CoolStart EcoSmart+ with push-open waste set

Finish: **Chrome** Article Number: **73020000**



Exploded Drawing

Year of production: >06/23



Tecturis E

Single lever basin mixer 110 Fine CoolStart EcoSmart+ with push-open waste set

Finish: **Chrome** Article Number: **73020000**



Spare part list

Year of production: >06/23

| Pos. | Description | Article Number | PC | PU |
|------|-------------------------------------|----------------|----|----|
| 1 | handle | 94997000 | 9 | 1 |
| 2 | screw cover | 93735460 | 3 | 1 |
| 3 | escutcheon | 94987000 | 6 | 1 |
| 4 | nut | 94996000 | 6 | 1 |
| 5 | O-ring 28x1,5 | 98421000 | 1 | 1 |
| 6 | O-ring 29x2 | 98391000 | 1 | 1 |
| 7 | cartridge, assy | 93760000 | 13 | 1 |
| 8 | aerator cpl. | 94994000 | 8 | 1 |
| 9 | fixing set (Ø 32) | 13961000 | 7 | 1 |
| 10 | connection hose 450 mm M8x0,75 G3/8 | 97206000 | 8 | 1 |
| 11 | O-ring 7x1,5 | 98422000 | 1 | 1 |
| 12 | sealing set | 95581000 | 2 | 1 |
| a | flange | 87494000 | 3 | 1 |
| b | push-open waste set | 50100000 | 98 | 1 |