

Tecturis E

Single lever basin mixer 110 EcoSmart+ with pop-up waste set

Finish: **Chrome** Article Number: **73010000**



Description

product features

- consists of: single lever basin mixer, waste set
- ComfortZone: 110
- projection: 144 mm
- spout height: 117 mm
- handle variant: lever handle
- spray type: WaterfallStream
- maximum flow rate at 3 bar: 4 l/min
- ceramic cartridge
- temperature limitation adjustable
- suitable for continuous flow water heaters
- pop-up waste set G 1¼
- material waste set: metal
- connection type: G ¾ connections
- connection dimension: DN15
- EU taxonomy: max. 6 l/min - Substantial Contribution (SC) possible

Technology



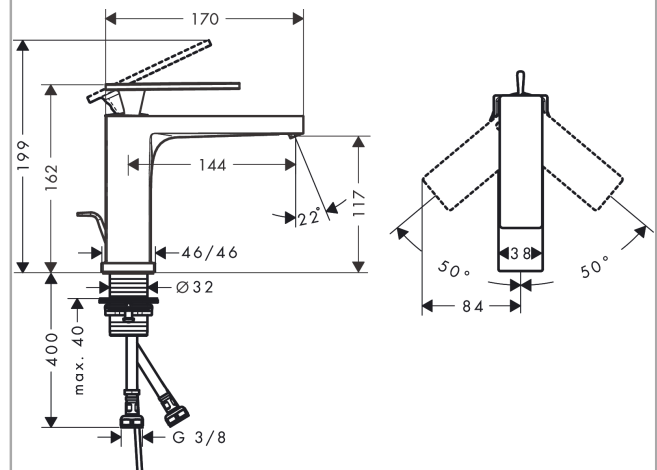
Design awards



Product image



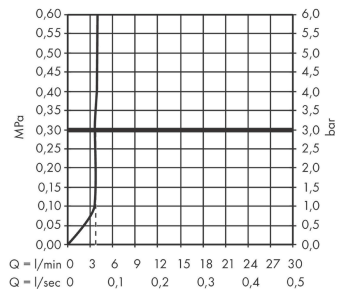
Scale drawing



Tecturis E
Single lever basin mixer 110 EcoSmart+ with pop-up waste set
 Finish: **Chrome** Article Number: **73010000**



Flowchart

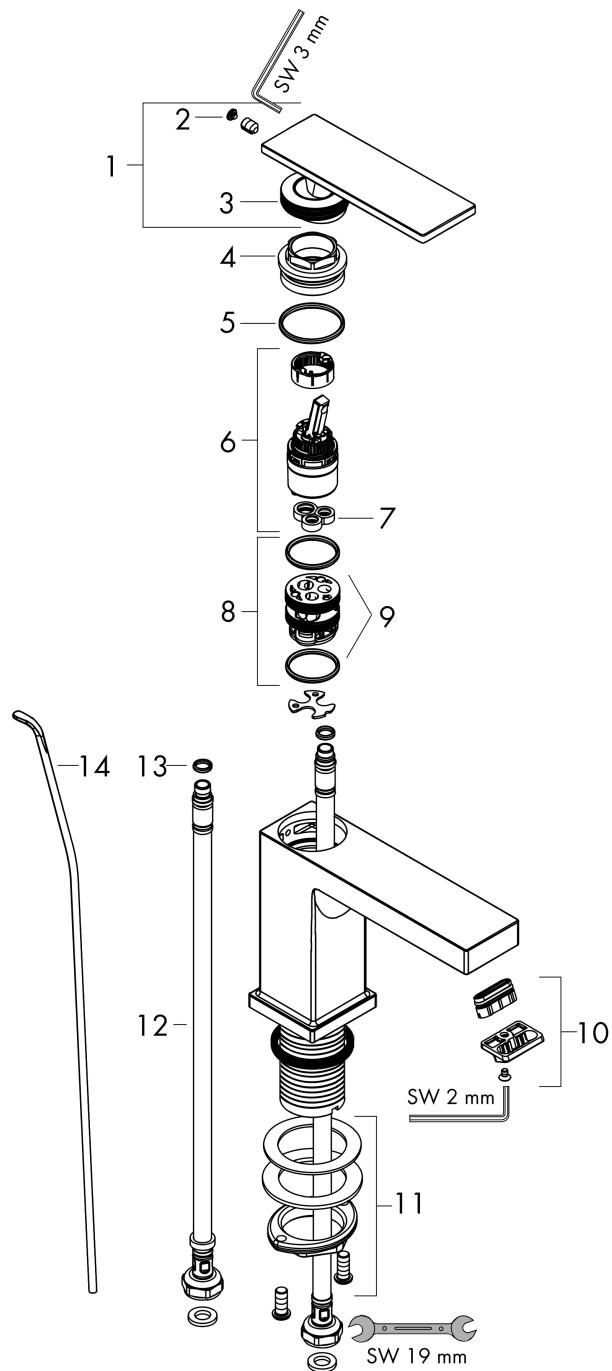


Tecturis E
Single lever basin mixer 110 EcoSmart+ with pop-up waste set
 Finish: **Chrome** Article Number: **73010000**



Exploded Drawing

Year of production: >09/23



Tecturis E
Single lever basin mixer 110 EcoSmart+ with pop-up waste set
 Finish: **Chrome** Article Number: **73010000**



Spare part list

Year of production: >09/23

Pos.	Description	Article Number	PC	PU
1	handle	94992000	15	1
2	screw cover	93983000	3	1
3	O-ring 30x1,5	98433000	1	1
4	nut	94993000	6	1
5	O-ring 29x2	98391000	1	1
6	cartridge, assy	92900000	10	1
7	seal	93383000	4	1
8	adapter for cartridge	95975000	3	1
9	O-ring 23x2	98398000	1	1
10	aerator cpl.	94994000	8	1
11	fixing set (Ø 32)	13961000	7	1
12	connection hose 450 mm M8x0,75 G3/8	97206000	8	1
13	O-ring 7x1,5	98422000	1	1
14	pull rod	96657000	4	1
a	pop up waste	94139000	98	1