

Rebris S

Pillar tap 80 with lever handle for cold water or pre-adjusted water without waste set

Finish: **Chrome** Article Number: **72503000**



Description

product features

- ComfortZone 80
- projection: 121 mm
- spout height: 84 mm
- handle variant: lever handle
- spray type: normal spray
- maximum flow rate at 3 bar: 5 l/min
- ceramic cartridge
- for cold water connection
- connection type: G 3/8 connection hose
- connection dimension: DN15
- aerator can be easily removed with the help of a coin and without tools
- EU taxonomy: max. 6 l/min - Substantial Contribution (SC) possible

Technology



Design awards



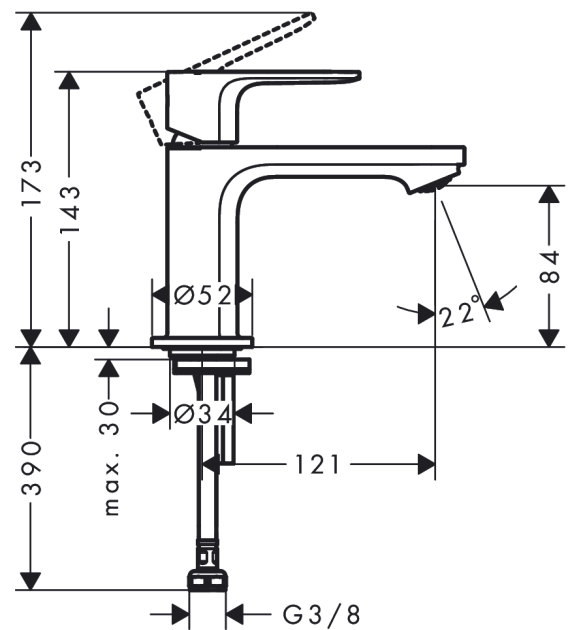
reddot winner 2022



Product image



Scale drawing



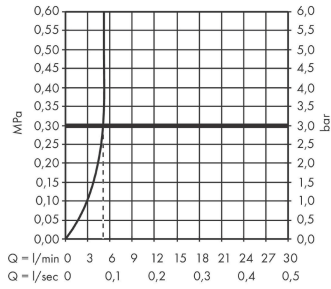
Rebris S

Pillar tap 80 with lever handle for cold water or pre-adjusted water without waste set

Finish: **Chrome** Article Number: **72503000**



Flowchart



Rebris S

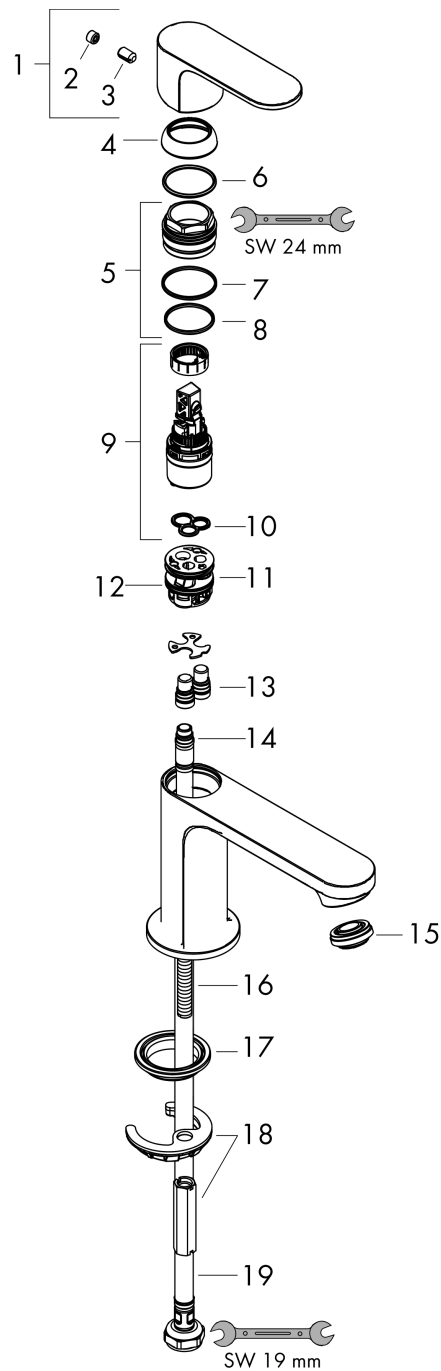
Pillar tap 80 with lever handle for cold water or pre-adjusted water without waste set

Finish: **Chrome** Article Number: **72503000**



Exploded Drawing

Year of production: >06/22



Rebris S

Pillar tap 80 with lever handle for cold water or pre-adjusted water without waste set

Finish: **Chrome** Article Number: **72503000**



Spare part list

Year of production: >06/22

Pos.	Description	Article Number	PC	PU
1	handle	94652000	10	1
2	screw cover	95704000	1	1
3	hollow set screw M6x10 DIN 916	96029000	1	1
4	flange	98863000	10	1
5	nut	98864000	9	1
6	O-ring 24x2	98388000	1	1
7	O-ring 27x1,5	92527000	4	1
8	O-ring 25x1,5	98146000	1	1
9	cartridge, assy	95973001	12	1
10	seal	98865000	8	1
11	adapter for cartridge	98866000	8	1
12	O-ring 23x2	98398000	1	1
13	O-ring 7x1,5	98422000	1	1
14	O-ring 6,6x1,6	93019000	1	1
15	aerator M24x1 (5 l/min)	94364000	3	1
16	screw M8 x 68	97736000	2	1
17	seal	97608000	2	1
18	fixing set	96016000	8	1
19	connection hose 450 mm M8x0,75 G3/8	97206000	8	1