

Talis S

Single lever basin mixer for concealed installation wall-mounted with spout 22.5 cm

Finish: **Chrome** Article Number: **72111000**



Description

product features

- consists of: single lever basin mixer for concealed installation wall-mounted, waste set
- projection: 225 mm
- handle variant: lever handle
- spray type: normal spray
- maximum flow rate at 3 bar: 5 l/min
- ceramic cartridge
- temperature limitation adjustable
- suitable for continuous flow water heaters
- non-closing waste set
- material waste set: metal
- connection type: basic set
- connection dimension: DN15
- handle can be positioned on the right or left, depending on the basic set installation
- EU taxonomy: max. 6 l/min - Substantial Contribution (SC) possible

Technology



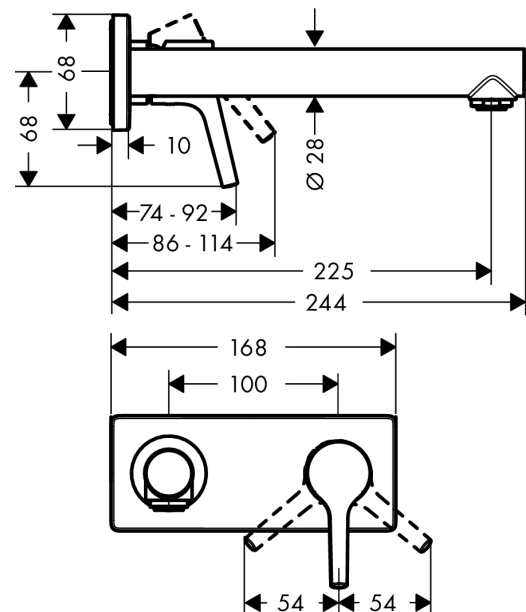
Certificates / Sustainability



Product image



Scale drawing



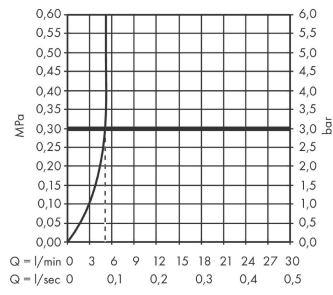
Talis S

Single lever basin mixer for concealed installation wall-mounted with spout 22.5 cm

Finish: **Chrome** Article Number: **72111000**



Flowchart



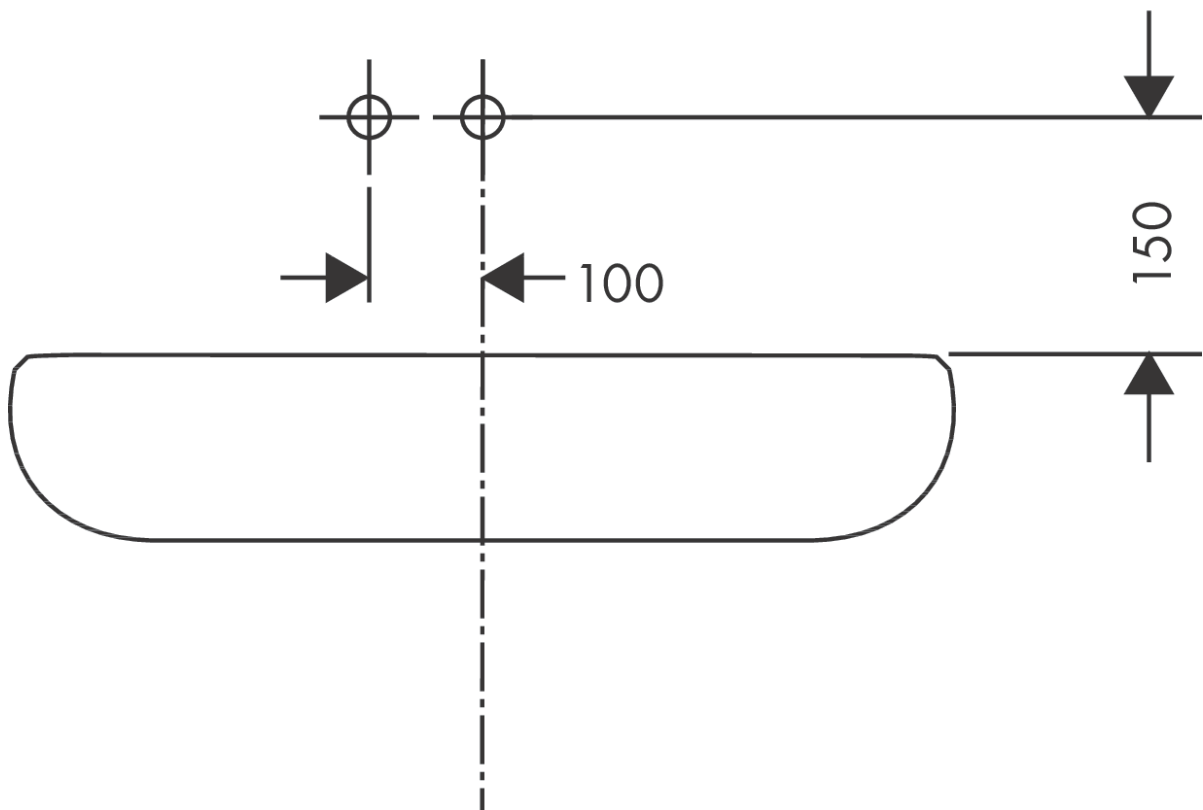
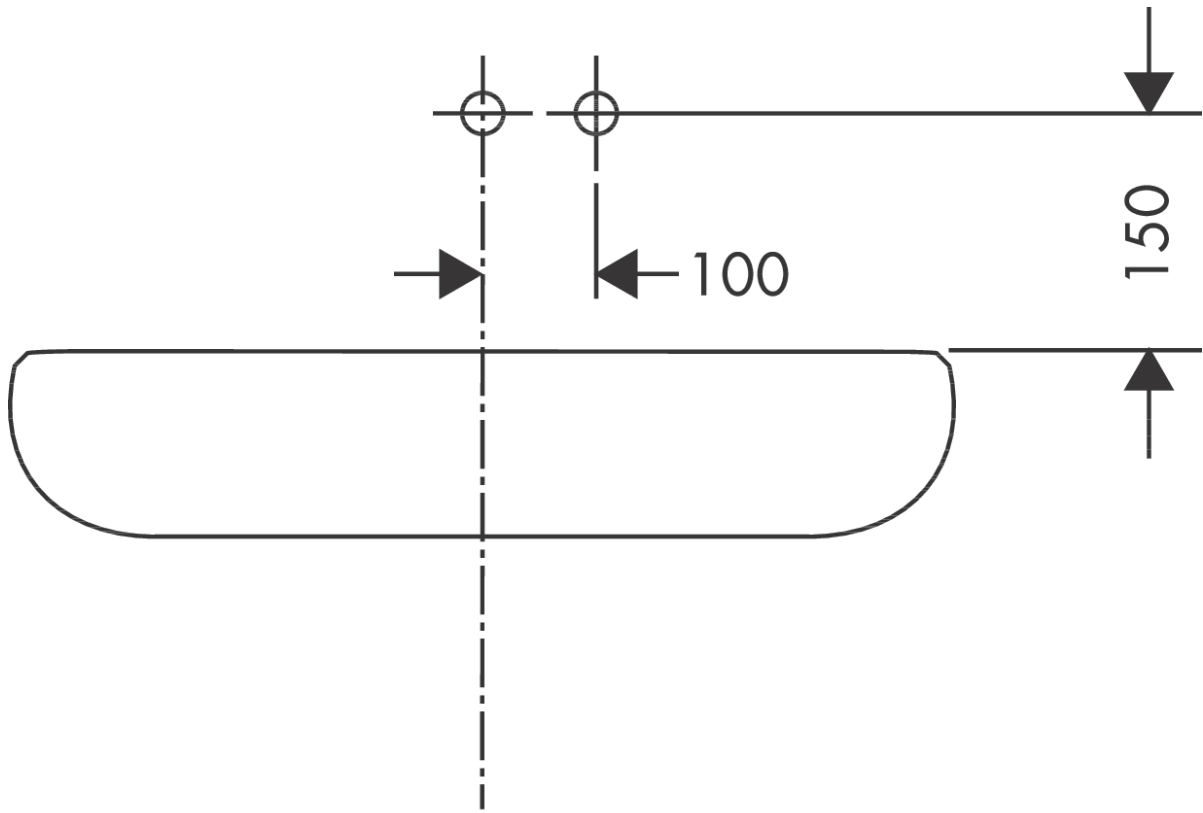
Talis S

Single lever basin mixer for concealed installation wall-mounted with spout 22.5 cm

Finish: **Chrome** Article Number: **72111000**



Installation examples



Talis S

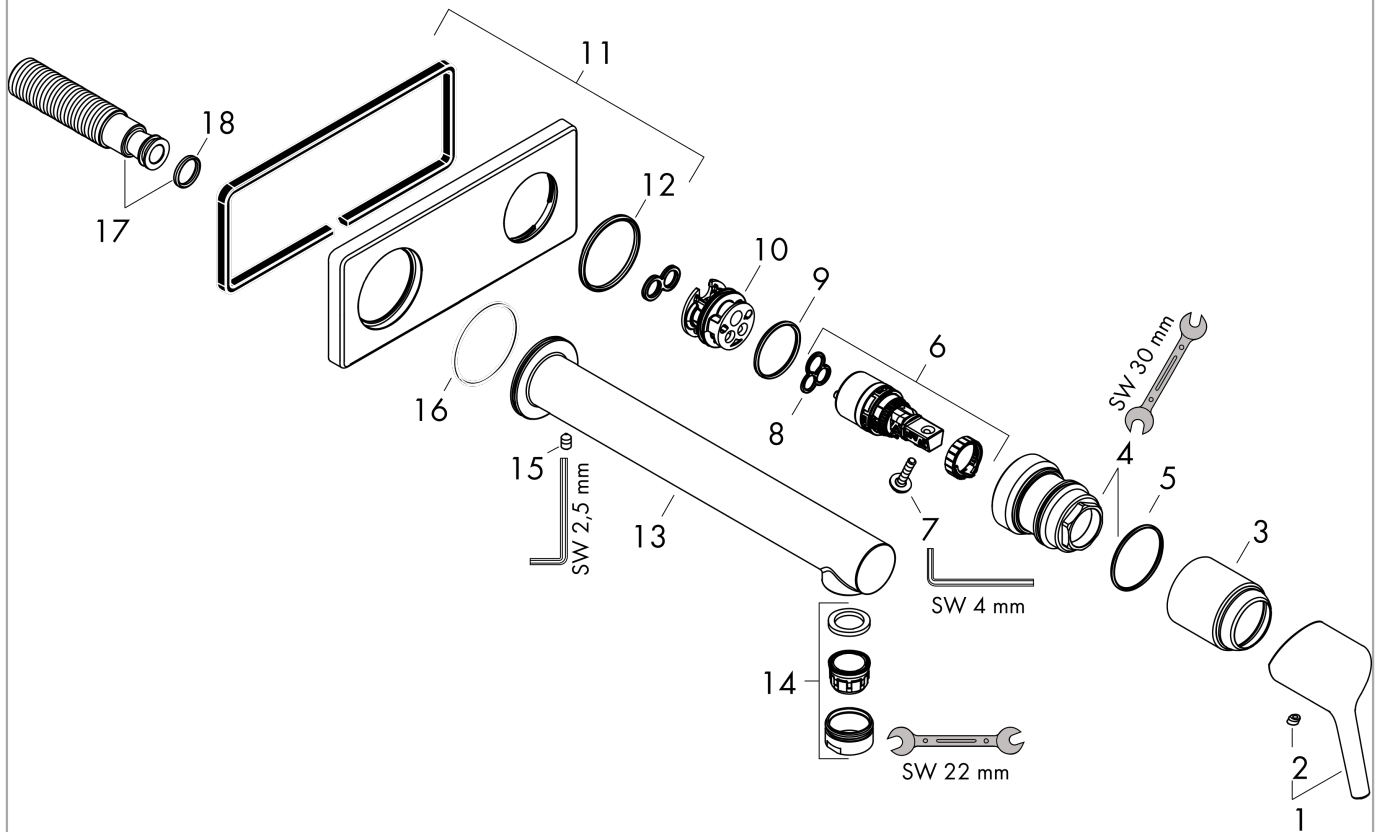
Single lever basin mixer for concealed installation wall-mounted with spout 22.5 cm

Finish: **Chrome** Article Number: **72111000**



Exploded Drawing

Year of production: >10/15



Talis S

Single lever basin mixer for concealed installation wall-mounted with spout 22.5 cm

Finish: **Chrome** Article Number: **72111000**



Spare part list

Year of production: >10/15

Pos.	Description	Article Number	PC	PU
1	handle	92648000	11	1
2	screw cover	96338000	1	1
3	flange	92657000	6	1
4	nut	92658000	8	1
5	O-ring 33x1,5	98164000	1	1
6	cartridge, assy	97685000	11	1
7	locking screw for handle	95140000	2	1
8	seal	98865000	8	1
9	O-ring 26x2	98147000	1	1
10	adapter for cartridge	95634000	4	1
11	escutcheon	92649000	11	1
12	O-ring 35x3	98435000	1	1
13	spout 225 mm	92656000	16	1
14	aerator M24x1 (5 l/min)	13185000	99	1
15	hollow set screw M5x6	97768000	1	1
16	O-Ring 36x2,5	98190000	1	1
17	connecting thread G½	95626000	10	1
18	O-ring 13x2	98128000	1	1
a	waste	50001000	99	1
b	extension set 25 mm for 13622180	31971000	99	1
c	adapter for exchanged connections	93819000	16	1