

Talis S

Single lever basin mixer 190 with pop-up waste set

Finish: **Chrome** Article Number: **72031000**



Description

product features

- consists of: single lever basin mixer, waste set
- ComfortZone 190
- projection: 131 mm
- spout height: 179 mm
- handle variant: pin handle
- spray type: normal spray
- maximum flow rate at 3 bar: 5 l/min
- ceramic cartridge
- temperature limitation adjustable
- suitable for continuous flow water heaters
- pop-up waste set G 1¼
- material waste set: metal
- connection type: G ¾ connections
- connection dimension: DN15
- EU taxonomy: max. 6 l/min - Substantial Contribution (SC) possible

Technology



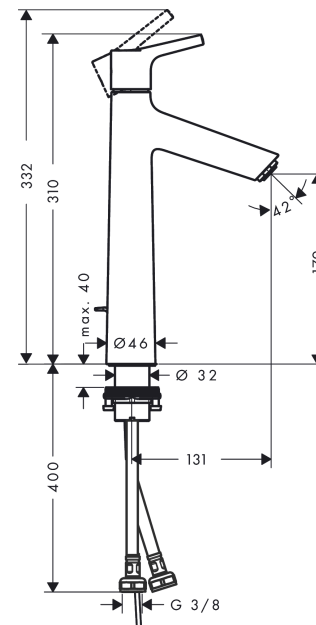
Certificates / Sustainability



Product image



Scale drawing



Talis S
Single lever basin mixer 190 with pop-up waste set
 Finish: **Chrome** Article Number: **72031000**



Flowchart

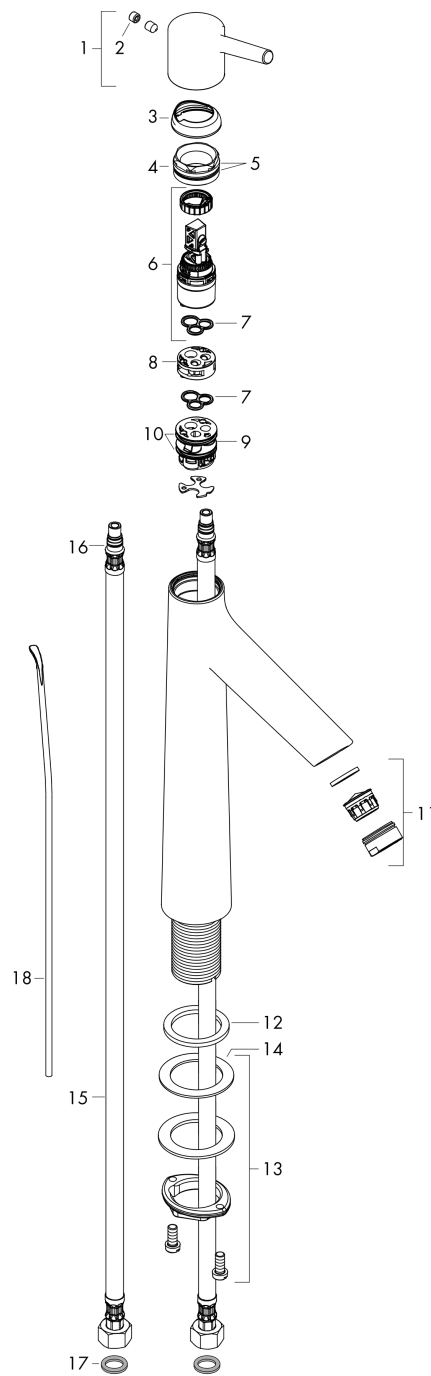


Talis S
Single lever basin mixer 190 with pop-up waste set
 Finish: **Chrome** Article Number: **72031000**



Exploded Drawing

Year of production: >10/15



Talis S

Single lever basin mixer 190 with pop-up waste set

Finish: **Chrome** Article Number: **72031000**



Spare part list

Year of production: >10/15

Pos.	Description	Article Number	PC	PU
1	handle	92626000	8	1
2	screw cover	95704000	1	1
3	flange	92625000	8	1
4	nut	92627000	6	1
5	O-ring 27x1,5	92527000	4	1
6	cartridge, assy	97685000	11	1
7	seal	98865000	8	1
8	adapter for cartridge	92628000	6	1
9	adapter for cartridge	98866000	8	1
10	O-ring 23x2	98398000	1	1
11	aerator M24x1 (5 l/min)	13185000	99	1
12	flat seal	98749000	2	1
13	fixing set (Ø 32)	13961000	7	1
14	lever collar	97548000	1	1
15	connection hose 600 mm M8x0,75 G3/8	96556000	7	1
16	O-ring 7x1,5	98422000	1	1
17	sealing set	95581000	2	1
18	pull rod	96657000	4	1
a	pop up waste	94139000	99	1
b	fixation extension 35 mm	13898000	12	1