

Vernis Blend
Single lever shower mixer for exposed installation
 Finish: **Chrome** Article Number: **71640000**



Description

product features

- 1 function
- centre distance: 150 ± 12 mm
- maximum flow rate at 3 bar: 28 l/min
- flow rate of hand shower at 3 bar: 16 l/min
- ceramic cartridge
- temperature limitation adjustable
- non-return valve
- with silencer
- suitable for continuous flow water heaters
- hose connection DN15
- connection dimension: DN15
- min. operating pressure: 1 bar
- max. operating pressure: 10 bar
- connection type: s-shaped connections

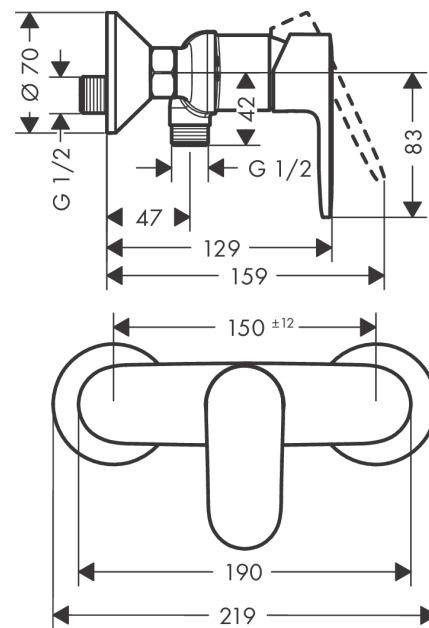
Certificates / Sustainability



Product image



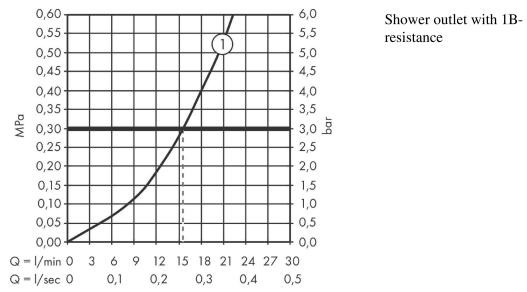
Scale drawing



Vernis Blend
Single lever shower mixer for exposed installation
 Finish: **Chrome** Article Number: **71640000**



Flowchart

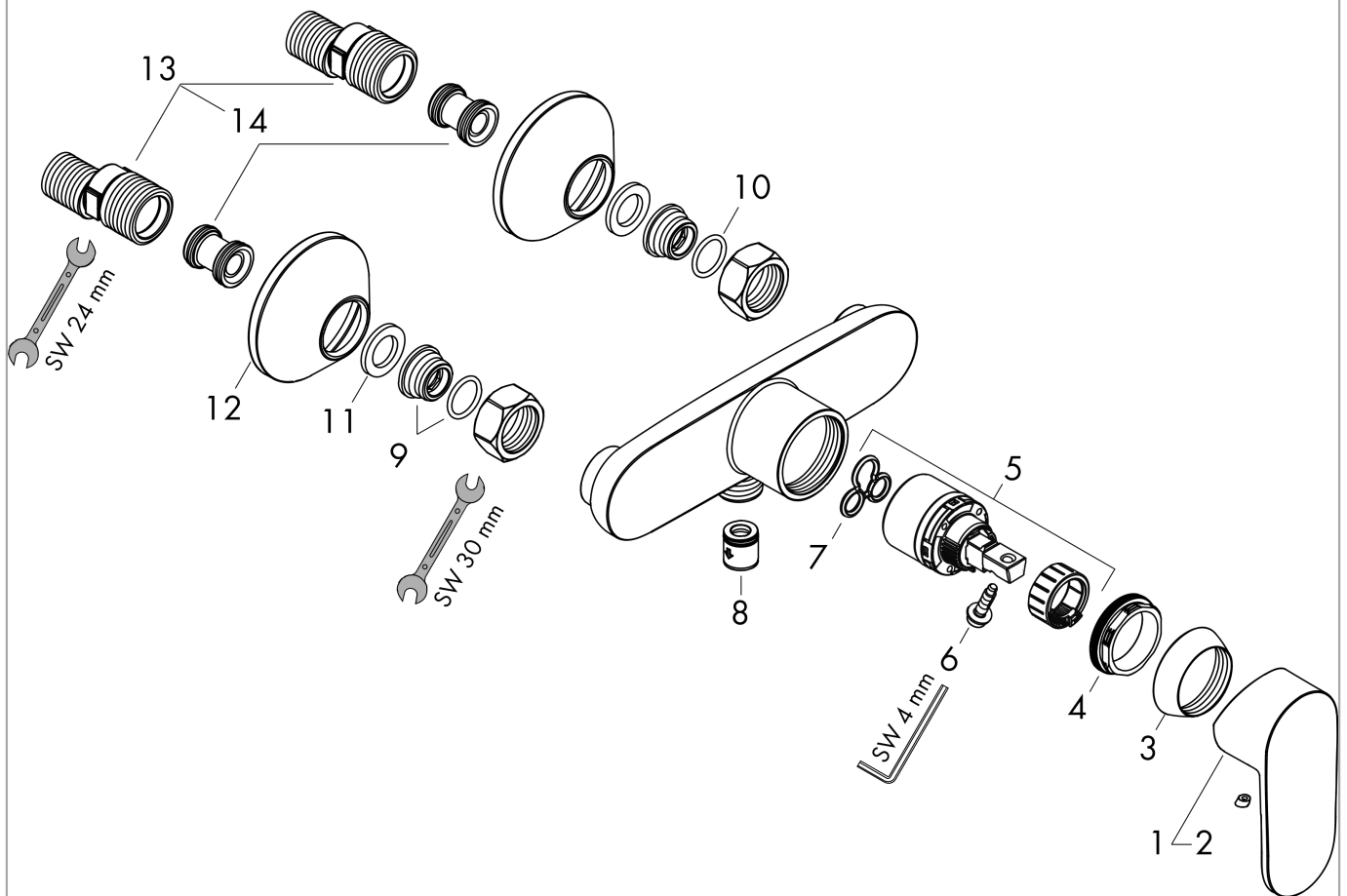


Vernis Blend
Single lever shower mixer for exposed installation
 Finish: **Chrome** Article Number: **71640000**



Exploded Drawing

Year of production: >01/21



Vernis Blend
Single lever shower mixer for exposed installation
 Finish: **Chrome** Article Number: **71640000**



Spare part list

Year of production: >01/21

Pos.	Description	Article Number	PC	PU
1	handle	93715000	9	1
2	screw cover	96338000	1	1
3	flange	93716000	2	1
4	nut	93717000	4	1
5	cartridge, assy	92730000	11	1
6	locking screw for handle	95140000	2	1
7	seal	95008000	3	1
8	set of non return valves DW 15	94074000	5	1
9	connecting thread G½	93767000	3	1
10	O-ring 16x2	98133000	1	1
11	filter packing	96922000	3	1
12	escutcheon Ø 70 mm	93718000	4	1
13	set of S-unions (±12 mm)	94140000	10	1
14	noise reduction	96429000	2	1